



ISO 9001:2008 REGISTERED  
P.O. Box 551 • Edinboro, PA 16412  
Phone: 814-734-7303 • Fax: 814-734-3907



## A&E Specs: Tilt Panel Mount – BS2-TPM-818



### General

Part number shall be BS2-TPM-818 for the Tilt Panel Mount. This wall mount is designed for patch panels and network panels. The Tilt Panel Mount (TPM) rack must be UL listed to UL60950-1 (Standard for Information Technology and Communications Equipment, Cabinet, Enclosure and Rack Systems.). Dimensions shall be 16.31”H x 19.88”W x 18.00”D. Durable texture black powder coat finish on 16 Gauge steel. Sides to have a perforated pattern for equipment ventilation. Manufacturer must be ISO 9001:2008 registered.

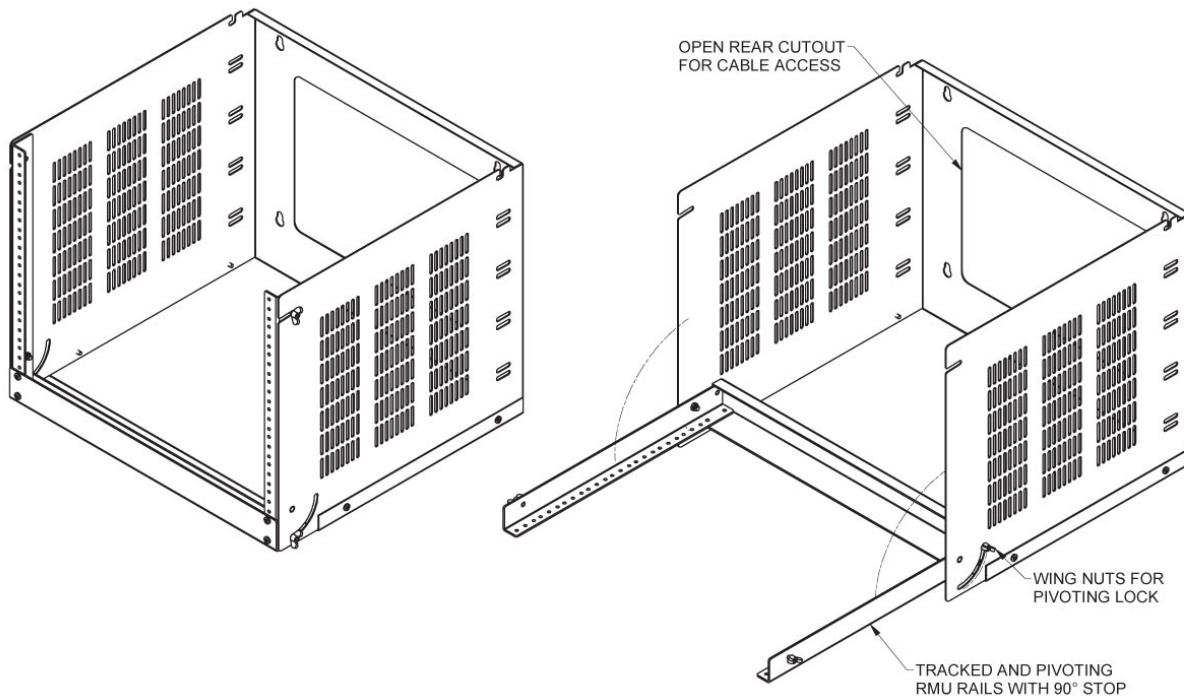
**Rack Mounting:** The panel mount must have one (1) pair of 12 Gauge steel, 19” rack mount rails that are tapped #12-24. Mounting rails shall be able to tilt down 90 degrees for easy access to the back of the equipment.

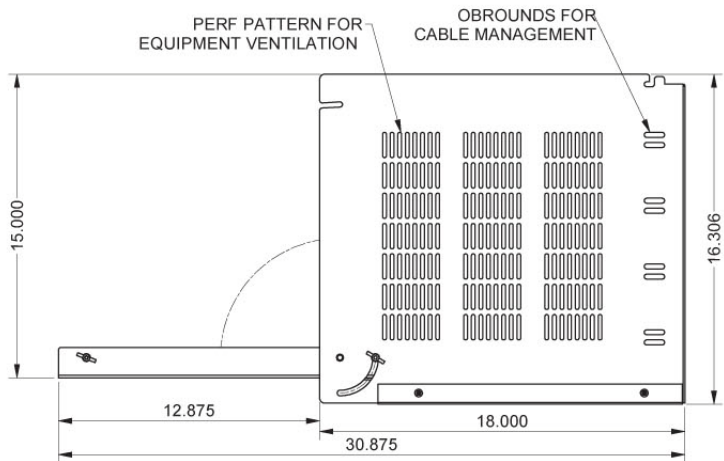
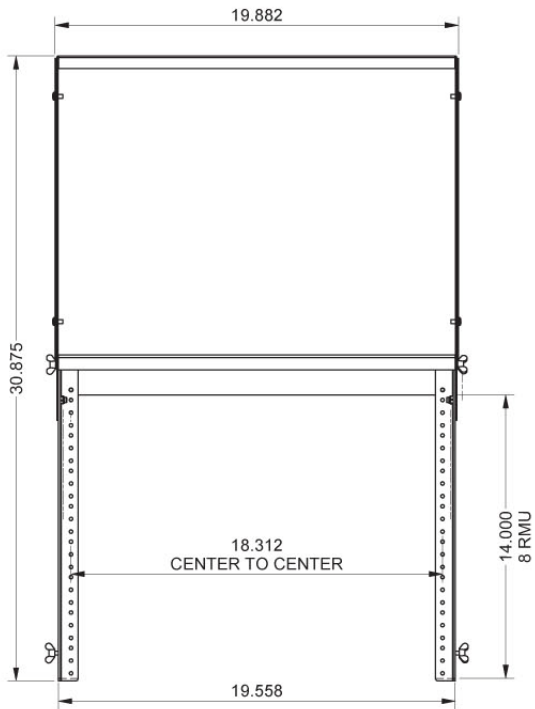
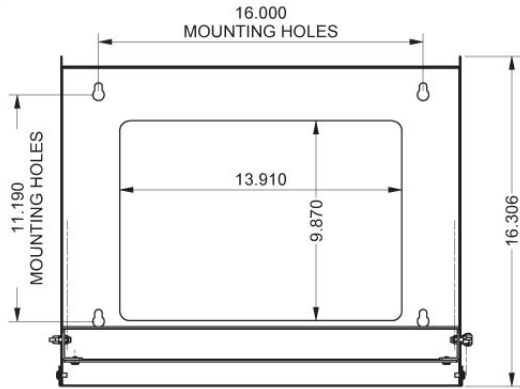
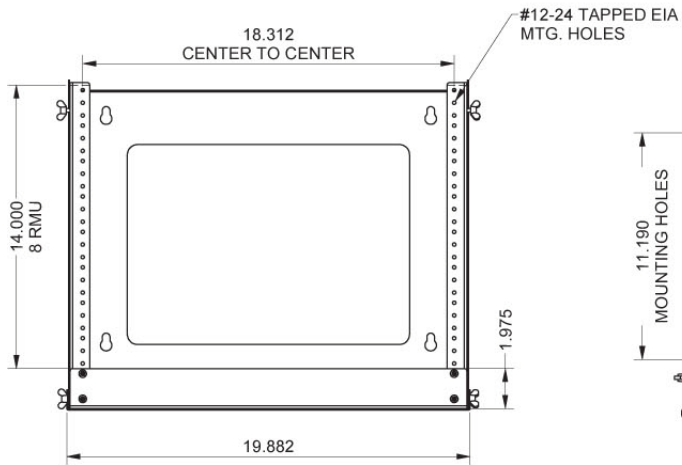
**Wall Mounting:** Wall mounting shall be done using keyholes for 5/16” hardware. Mounting shall be on 16 inch on center.

**Cable access:** A large opening, 13.91”W x 9.87”H shall be in the rear for cable access. The rear section of the sides shall have four (4) cable tie down point.

**Options:** The Tilt Panel Mount shall have an optional front and top cover kit. Part number: BS2-TPMC-818

## Drawings & Options





## Accessories

Part No	Description
BS2-TPMC-818	Tilt Panel Mount Cover Kit (includes top cover and front panel)

