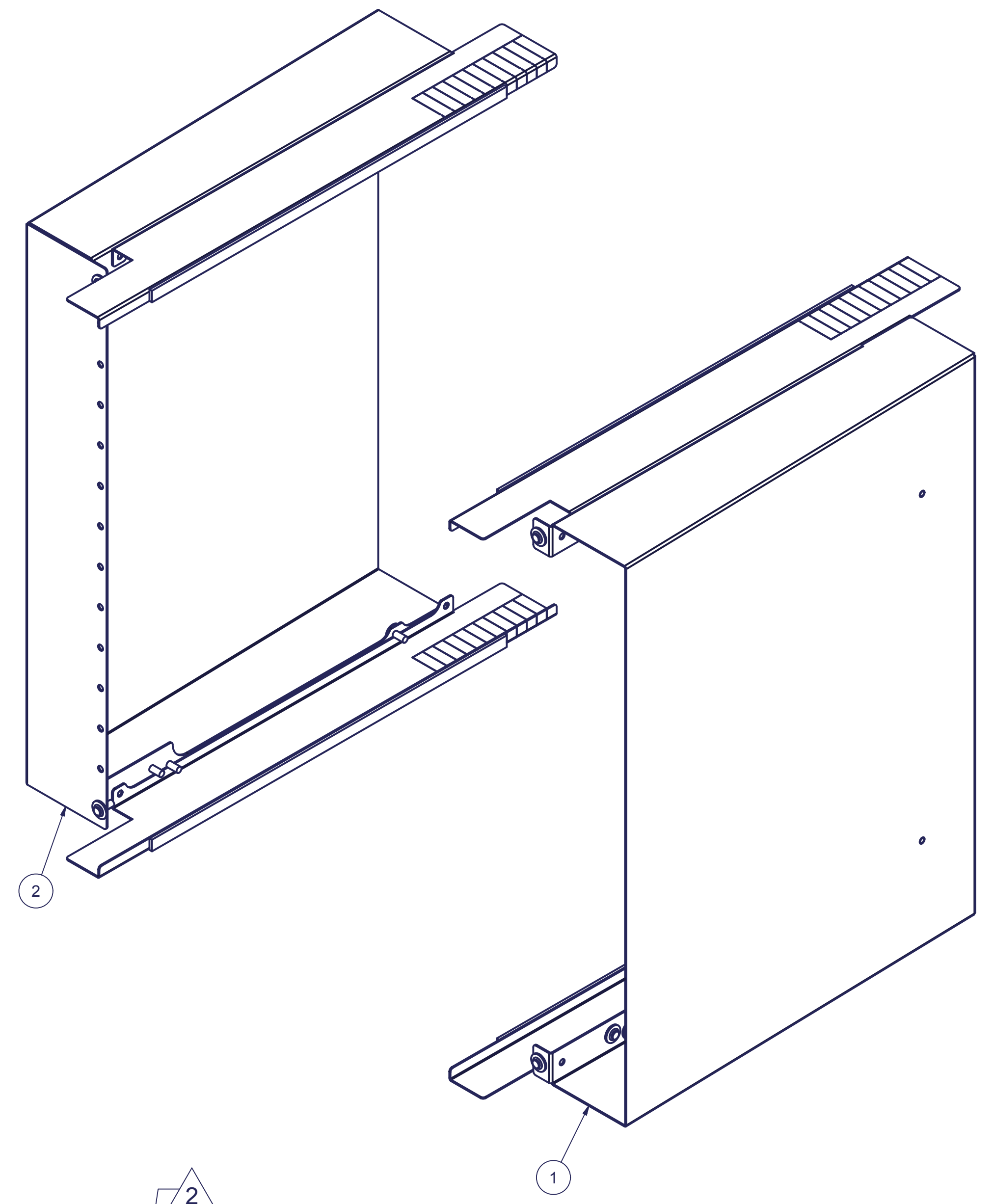
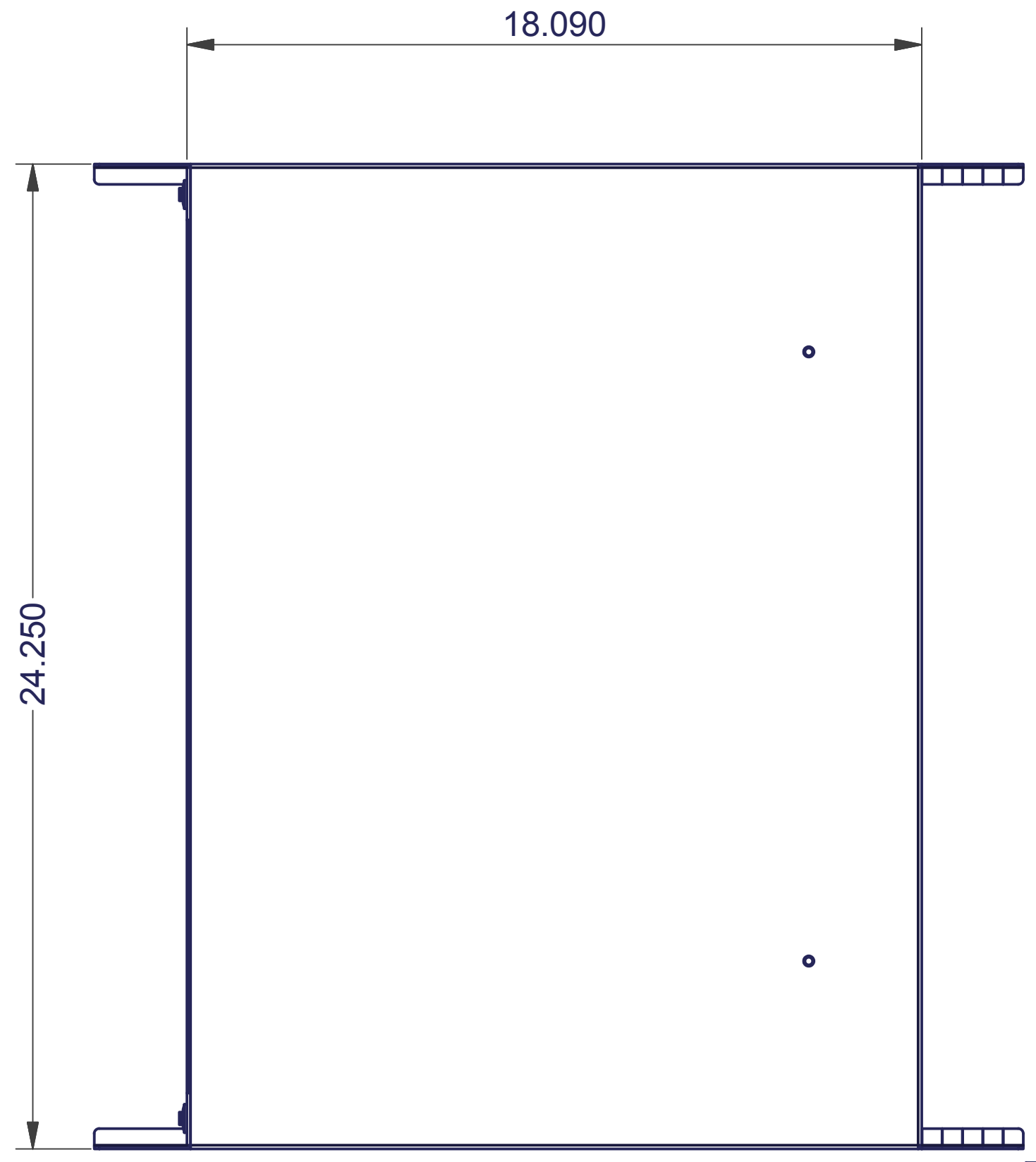
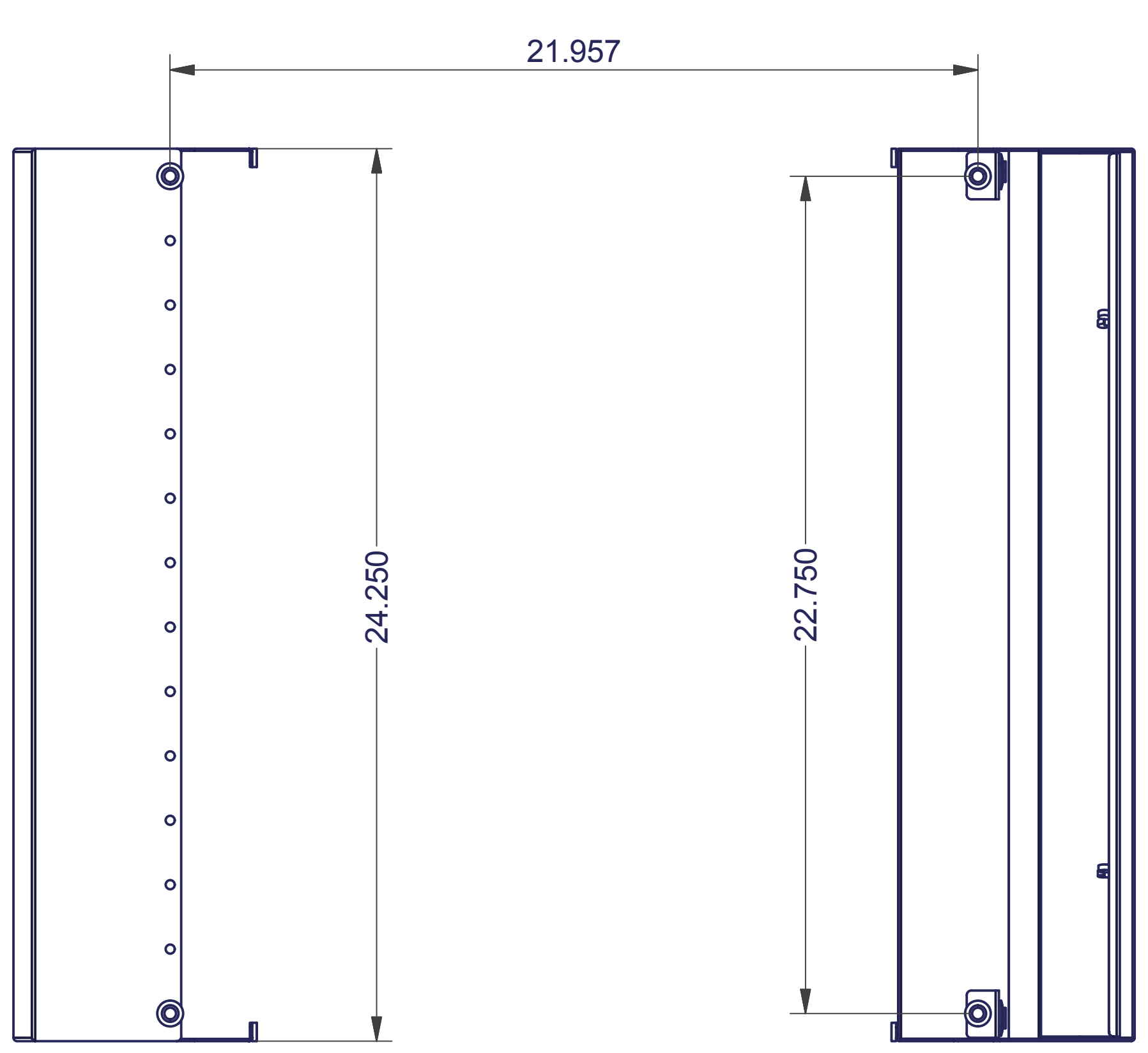
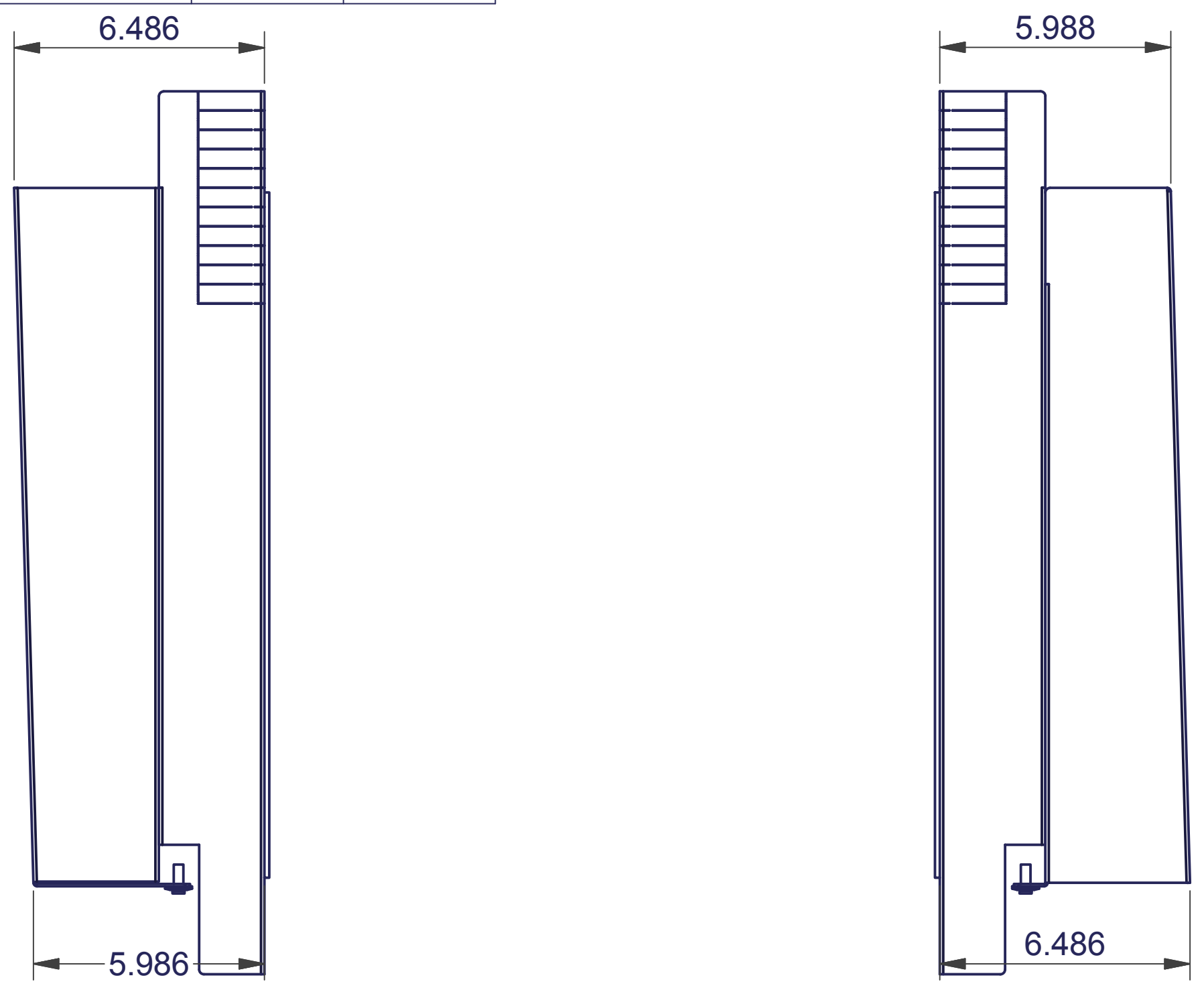


REVISION HISTORY			
REV	DESCRIPTION	DATE	APPROVED
0	ECO-03074	12/14/10	CD
1	ECO-03332	8/24/11	CD
2	ECO-03415	11/22/11	CD
3	ECO-03753	12/17/12	CD
4	ECO-06383	10/6/14	TAD

Bill of Material						
ITEM	PART NUMBER	STOCK NUMBER	QTY	DESCRIPTION	FILE NAME	REVISION
1			1	14 RU EN INTAKE BAFFLE FOR 6509-E CISCO SWITCH	I013115.iam	3
2			1	14 RU EN EXHAUST BAFFLE FOR 6509-E CISCO SWITCH	I013118.iam	3
3	AVERY LABEL 5690		1	PART # ID LABEL AVERY 1" x 2.625"		



- NOTES:**
1. REFERENCE PURCHASE ORDER, SPECIAL INSTRUCTIONS MAY APPLY
 2. GLM DO NOT ASSEMBLE UNLESS OTHERWISE SPECIFIED
 3. CREATE HARDWARE PACK OF PLASTIC RIVETS
 4. INCLUDE A COPY OF THIS PRINT AS INSTRUCTIONS WITH EACH KIT
 5. BAG OR WRAP BAFFLES AND COVER AND PACKAGE TOGETHER WITH HARDWARE PACK AND INSTRUCTIONS
 6. LABEL PART NUMBER ON OUTSIDE OF WRAPPING : *AVERY LABEL 5960*

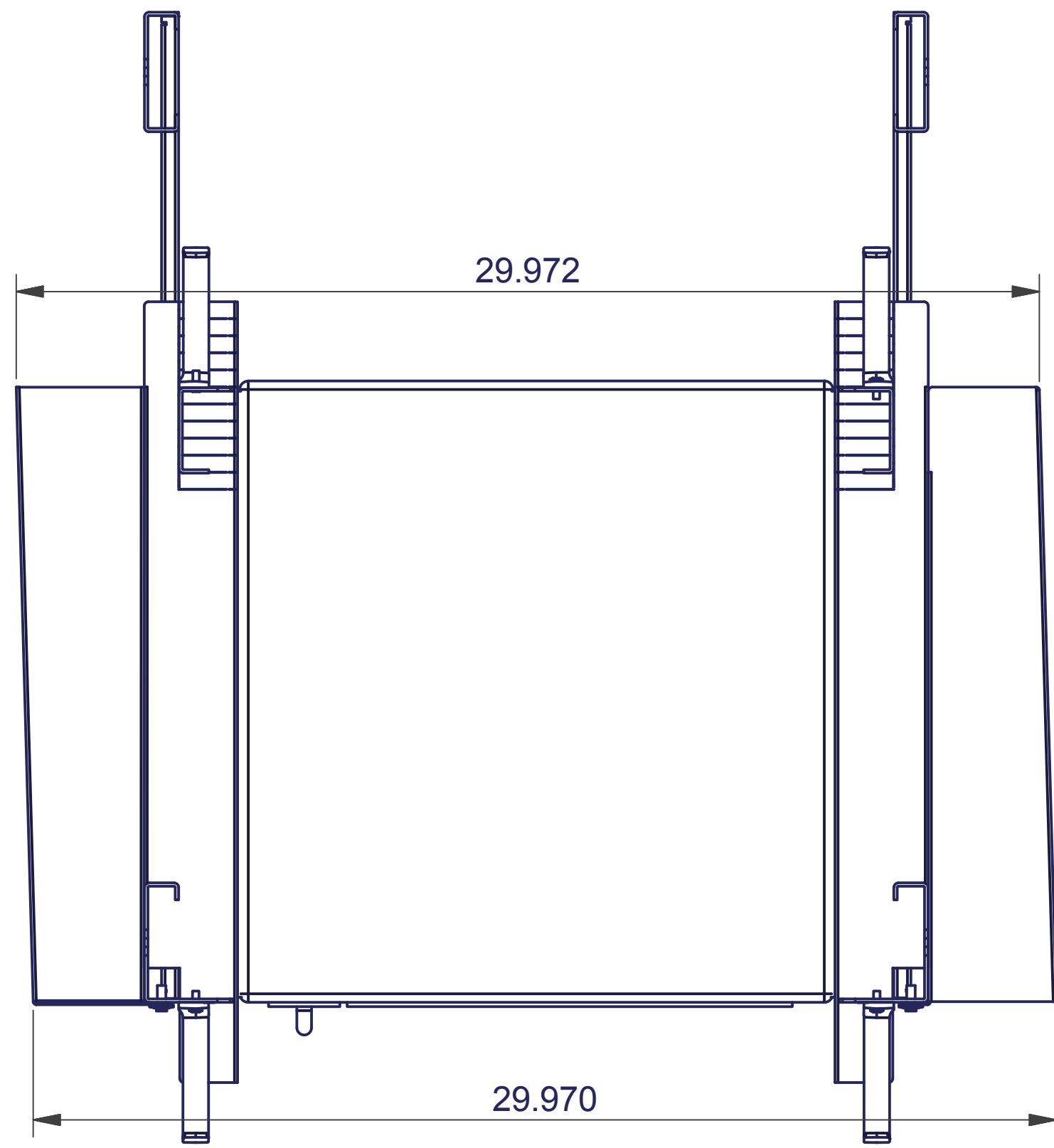


INTERPRET DRAWING PER ASME Y14.5M-1994
 DIMENSIONAL LIMITS APPLY
 AFTER APPLICATION OF FINISH
 DRAWING NOT TO SCALE
 TOLERANCE UNLESS OTHERWISE NOTED:
 ANGULAR +/- 1°
 .XXXX +/- .010
 .XXX +/- .015
 .XX +/- .030
 .X FOR REF. ONLY
 UNLESS OTHERWISE SPECIFIED
 ALL DIMENSIONS ARE IN INCHES

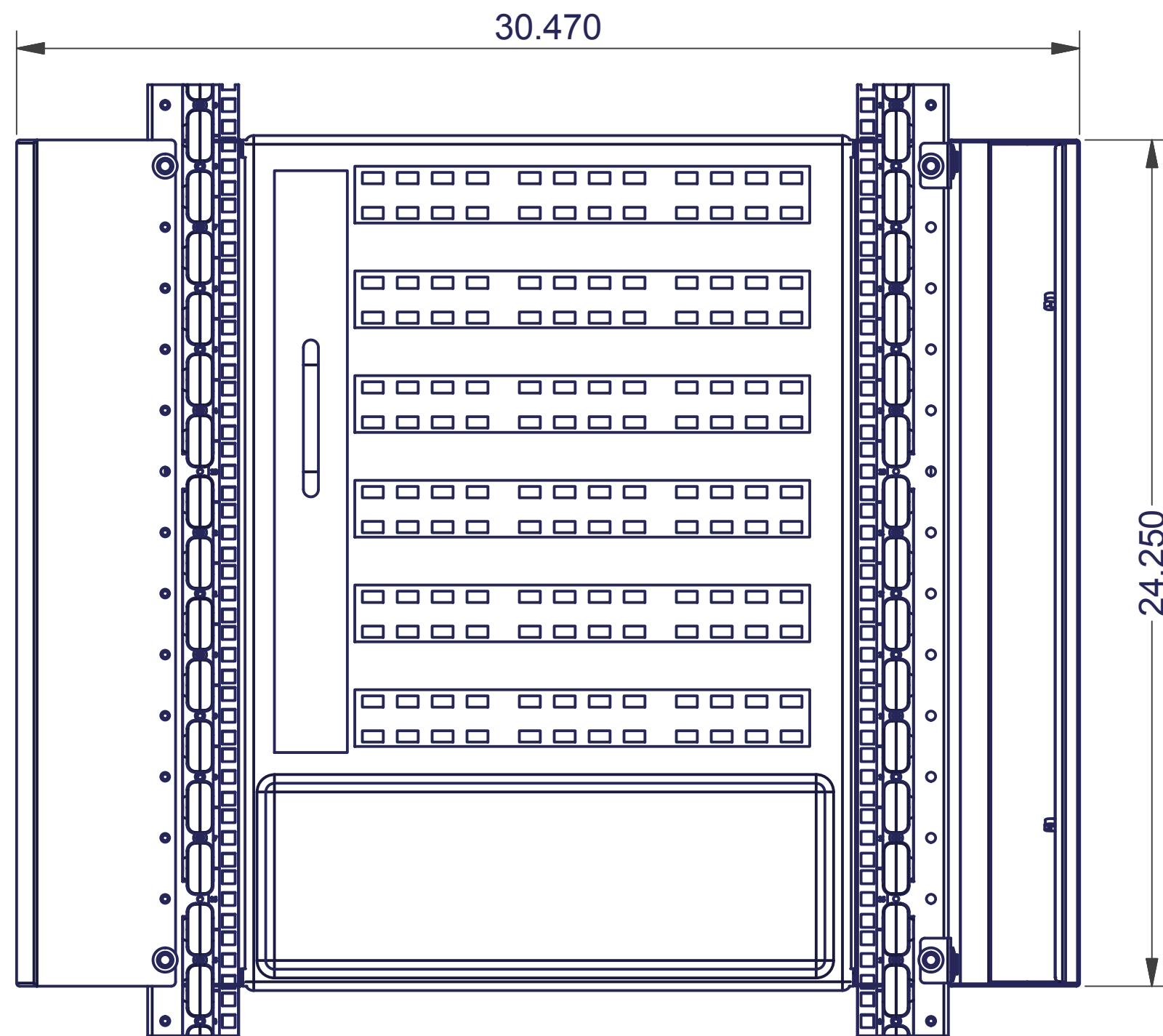
NOTICE:
 Use of this document is subject to a confidentiality and nondisclosure agreement with Great Lakes Case & Cabinet Co., Inc. (GLCC) and may not be reproduced, disclosed or utilized in whole or in part without prior written authorization from GLCC.

PART NUMBER:
ENSAB14X100
 QTY PER UNIT: 1
 MATERIAL TYPE:
 MATERIAL GAUGE:
 FINISH:

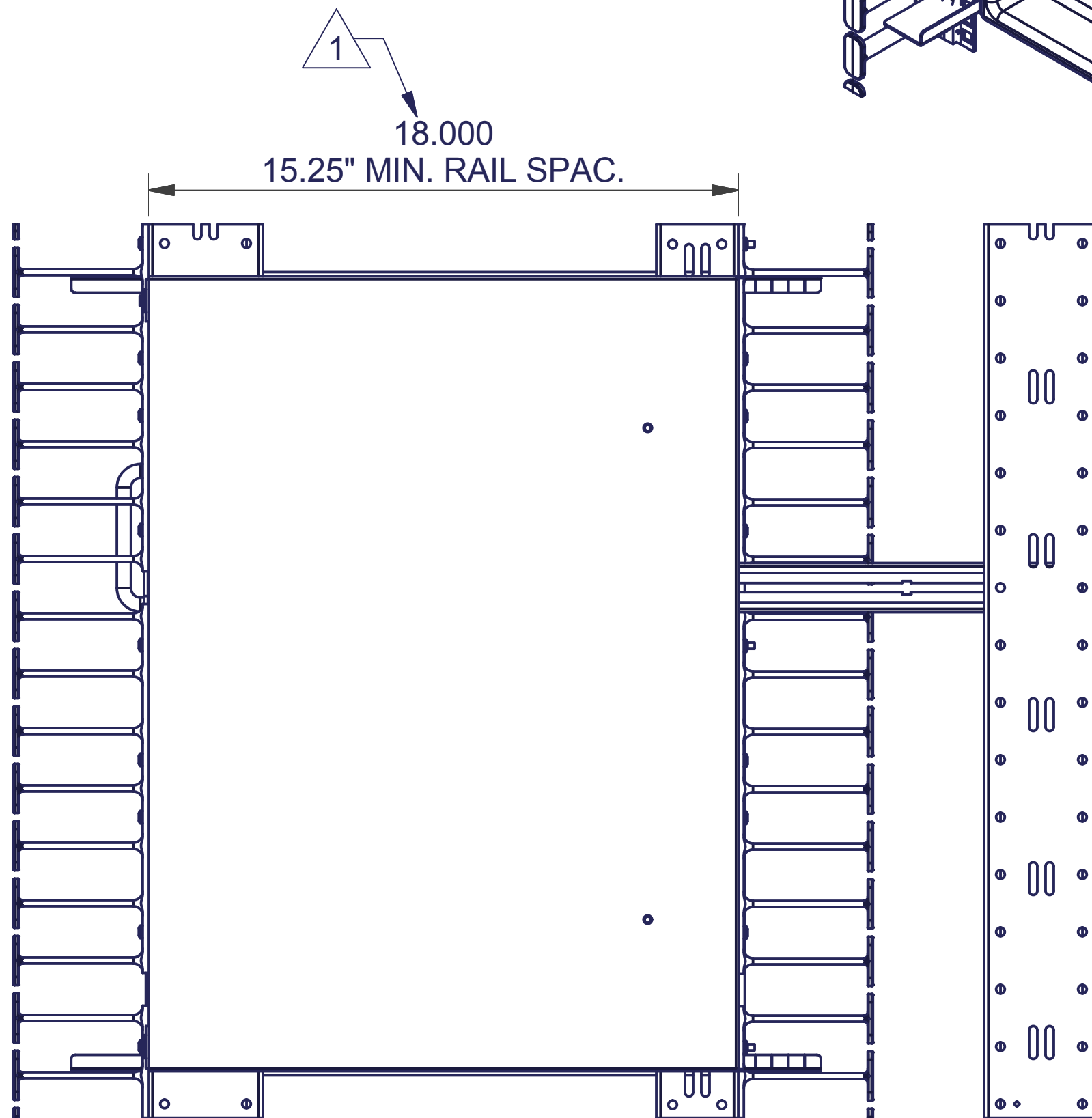
TITLE
14 RMU EN INTAKE / EXHAUST BAFFLE KIT FOR 6509-E OR 4510 CISCO SWITCH
 GREAT LAKES CASE & CABINET CO., INC.
 P.O. BOX 551 EDINBORO, PA 16412
 PHONE (814) 734-7303 FAX (814) 734-3907
 E-MAIL glcc@greatcabinets.com
 DWG NO: **I013114**
 REV: **4**
 SHEET: 1 OF 3



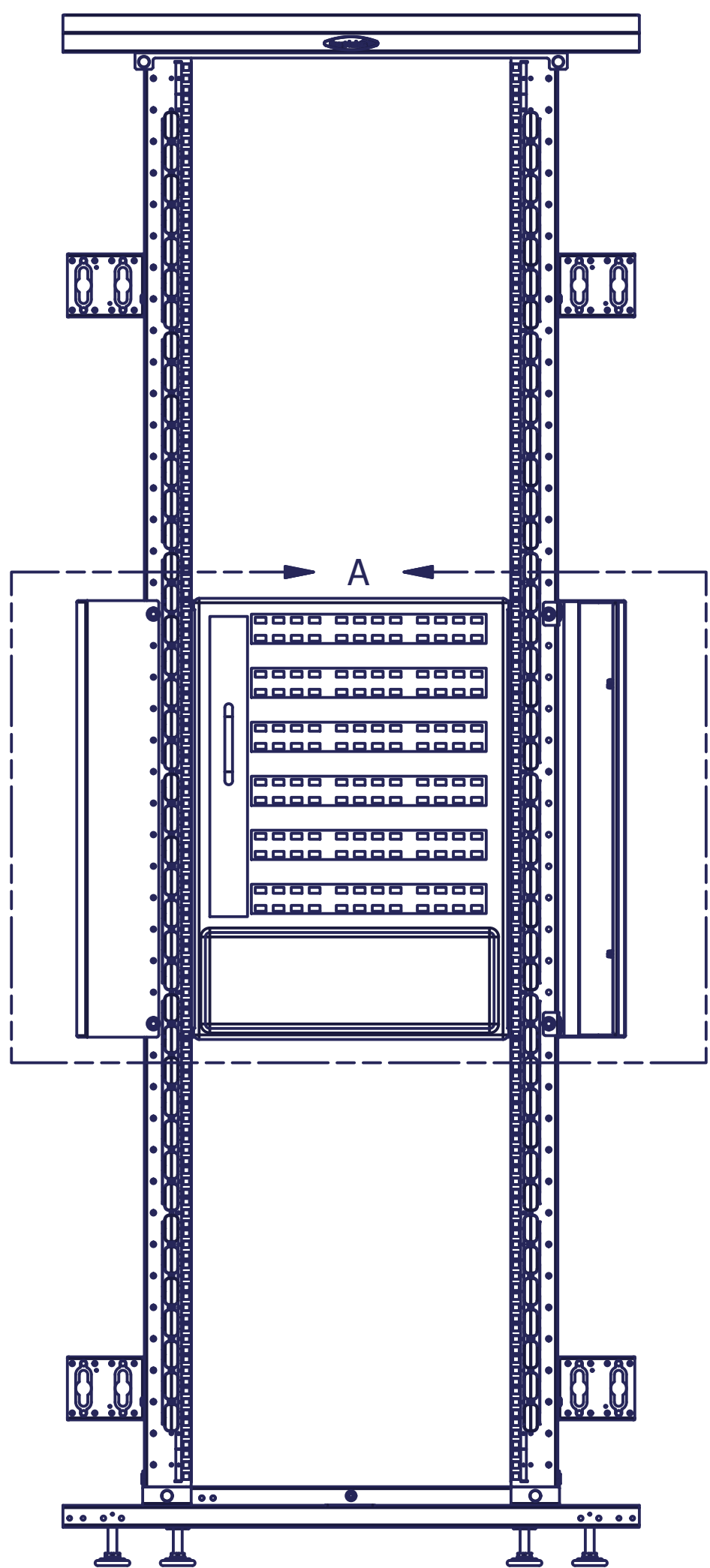
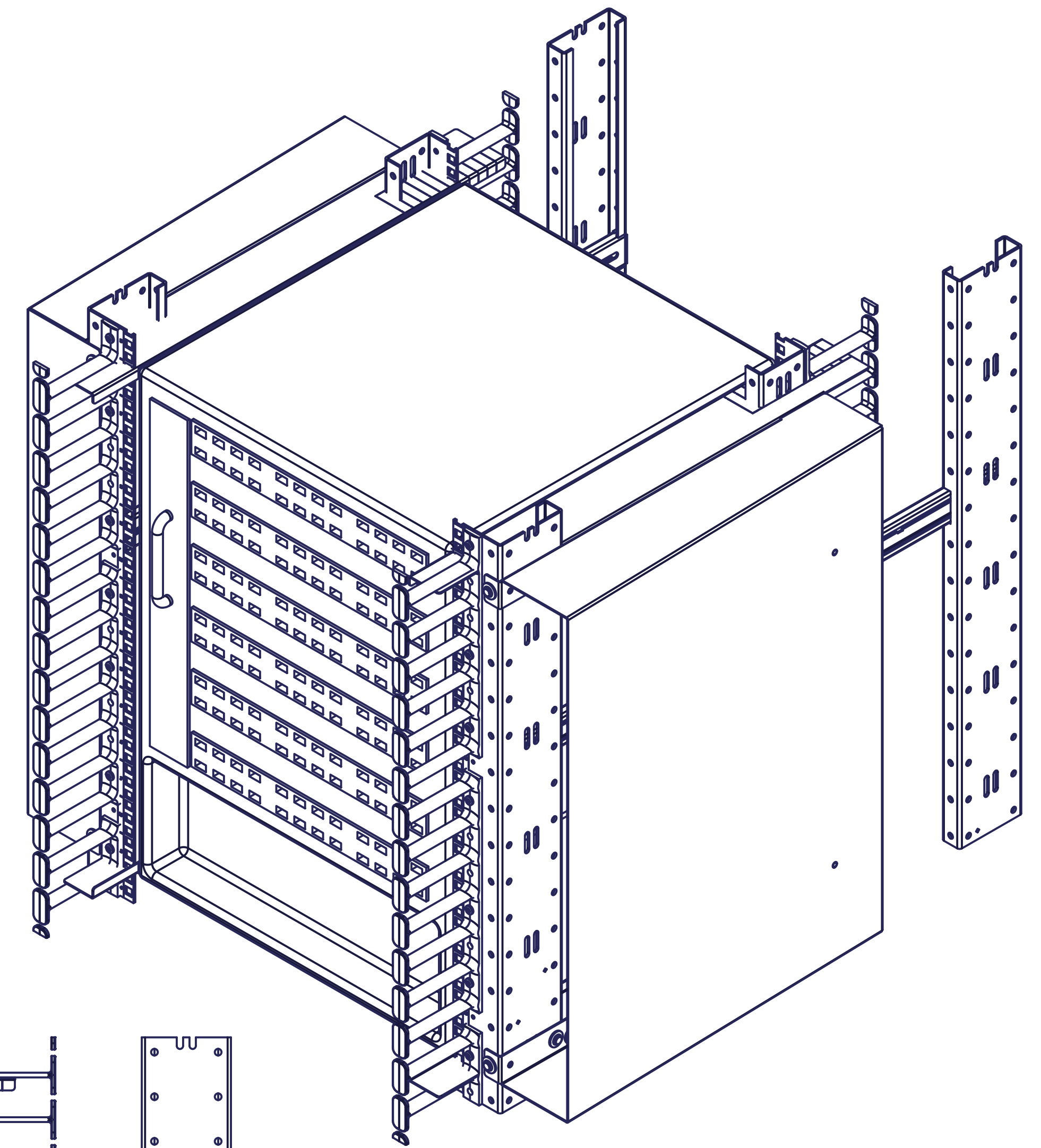
DETAIL A
TOP VIEW



DETAIL A
FRONT VIEW



DETAIL A
RIGHT SIDE VIEW



- SWITCH AND ENCLOSURE SHOWN FOR REFERENCE ONLY -

INTERPRET DRAWING PER ASME Y14.5M-1994
 DIMENSIONAL LIMITS APPLY
 AFTER APPLICATION OF FINISH
 DRAWING NOT TO SCALE
 TOLERANCE UNLESS OTHERWISE NOTED:
 ANGULAR +/- .1°
 .XXXX +/- .010
 .XXX +/- .015
 .XX +/- .030
 .X FOR REF. ONLY

NOTICE:
 Use of this document is subject to a confidentiality and nondisclosure agreement with Great Lakes Case & Cabinet Co., Inc. (GLCC) and may not be reproduced, disclosed or utilized in whole or in part without prior written authorization from GLCC.

PART NUMBER:
ENSAB14X100
 QTY PER UNIT: 1
 MATERIAL TYPE:
 MATERIAL GAUGE:
 FINISH:

TITLE
14 RMU EN INTAKE / EXHAUST BAFFLE KIT FOR 6509-E OR 4510 CISCO SWITCH
 GREAT LAKES CASE & CABINET CO., INC.
 P.O. BOX 551 EDINBORO, PA 16412
 PHONE (814) 734-7303 FAX (814) 734-3907
 E-MAIL glcc@greatcabinets.com

THIRD ANGLE PROJECTION

UNLESS OTHERWISE SPECIFIED ALL DIMENSIONS ARE IN INCHES

DRAWN CD DATE 12/14/2010
 CHECKED & APP. WSS DATE 12/14/10

DWG NO: 1013114

REV 4 SHEET: 2 OF 3

BAFFLE INSTALLATION INSTRUCTIONS:

1. INSTALL BOTH INTAKE AND EXHAUST SIDES OF BAFFLE ON FRONT POSTS OF ENCLOSURE
2. BOTH BAFFLES MUST BE ALIGNED VERTICALLY AT THE SAME RU PLACEMENT OF EQUIPMENT
 - THE **LEFT** SIDE BAFFLE IS THE **EXHAUST** SIDE (CLOSED FACE TOWARD THE FRONT OF ENCLOSURE)
 - THE **RIGHT** SIDE BAFFLE IS THE **INTAKE** SIDE (CLOSED FACE TOWARD THE REAR OF ENCLOSURE)

3. EXHAUST BAFFLE (LEFT SIDE):
 - A. SLIDE EXHAUST BAFFLE ASSEMBLY INTO ENCLOSURE AT DESIRED RU TO THE LEFT OF YOUR SWITCH
 - B. USE QTY. 2 PLASTIC RIVETS TO ATTACH THE **CLOSED** FACE OF THE BAFFLE TO THE **FRONT, OUTSIDE** OF THE FRONT VERTICAL POST

5. INSTALL TOP /BOTTOM COVERS ON BOTH SIDES:
 - A. ALIGN TOP/BOTTOM COVER SECTION BEHIND FRONT POSTS AND USE 3 PLASTIC RIVETS TO ATTACH
 - INSTALL QTY. 1 PLASTIC RIVET INSIDE BAFFLE TO SIDE OF VERTICAL POST
 - INSTALL QTY. 2 PLASTIC RIVETS PER SECTION INTO COVER AND BAFFLE INSIDE OF BAFFLE
 - B. WHEN INSTALLING, NOTE REMOVEABLE NOTCHES REAR OF COVERS. COVERS MAY NEED TO BE NOTCHED TO ACCOMODATE FOR YOUR SPECIFIC REAR RAIL PLACEMENT
 - C. REPEAT STEP A IN ON THE TOP AND BOTTOM, FOR BOTH INTAKE AND EXHAUST BAFFLES

** NOTE: IF DESIRED RU IS WITHIN THE BOTTOM 3 RU OF THE ENCLOSURE, BOTTOM COVERS MAY NEED TO BE RESTING IN LOCATION PRIOR TO MAIN INTAKE/ EXHAUST BAFFLE BEING INSTALLED

- 4, A: ADJUSTABLE REAR COVER, INTAKE ASSEMBLY FOR CISCO-6509-E
 - PRIOR TO INSTALLING INTAKE BAFFLE INTO RACK, INSTALL ADJUSTABLE REAR COVER **LOOSELY** OVER STUDS ON INSIDE OF INTAKE MAIN BAFFLE BODY
 - INSTALL BRUSH ONTO ADJUSTABLE REAR COVER

** NOTE: IF DESIRED MOUNTING RU LIES WITHIN THE 23rd RU (FROM BOTTOM) THE BRUSH MAY NEED TO BE NOTCHED TO ACCOUNT FOR MIDDLE RAIL SUPPORT HORIZONTAL. TRIM AS NECESSARY.

ORIENT BRUSH GROMMET TOWARDS REAR FOR CISCO-6509-E

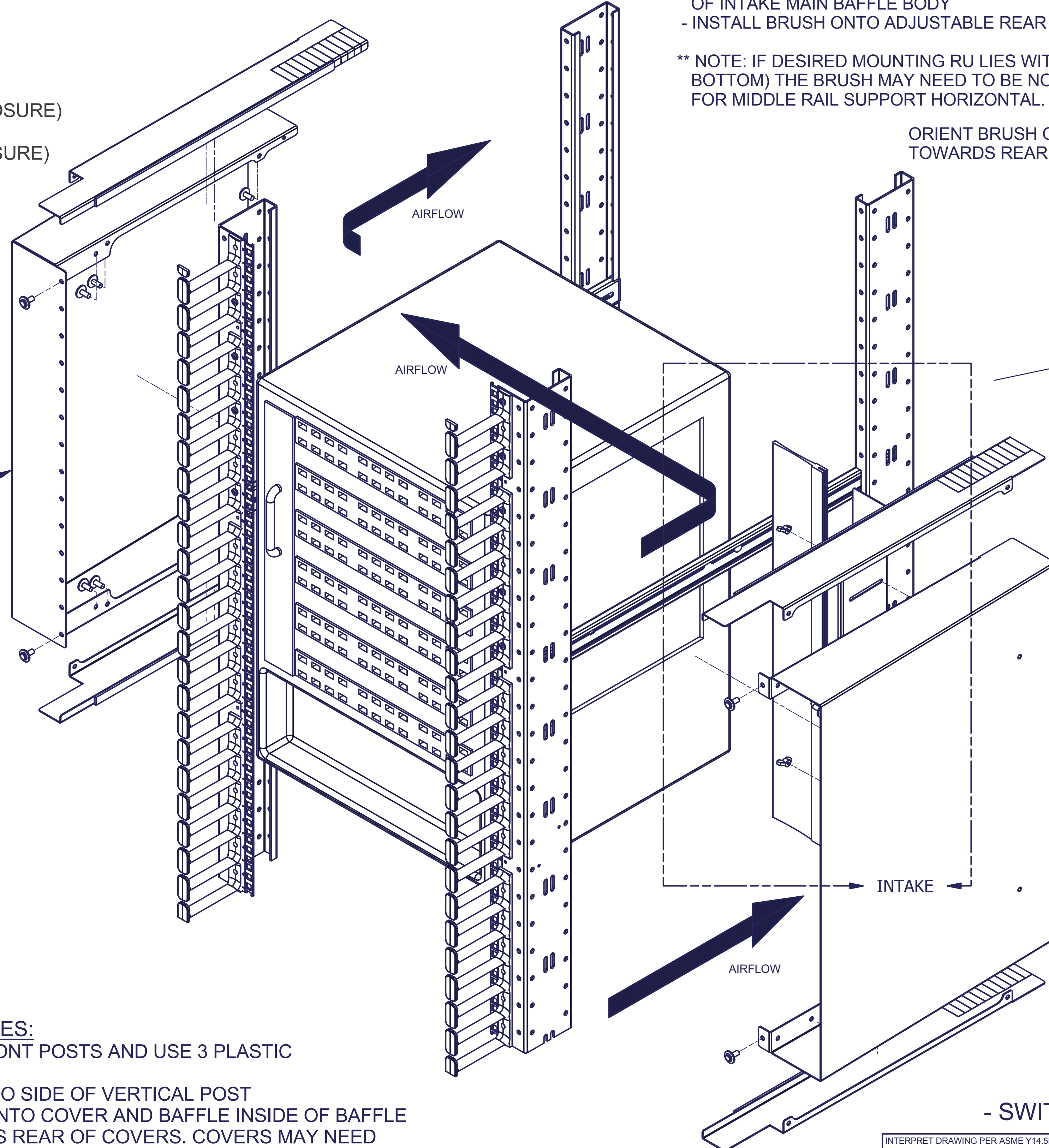
ORIENT BRUSH GROMMET TOWARDS FRONT FOR CISCO-4510

- 4, B: RIGHT SIDE INTAKE BAFFLE INSIDE VIEW FOR CISCO-4510

INTAKE BAFFLE, RIGHT SIDE: BAFFLE ORIENTED WITH CLOSED FACE TOWARD REAR OF ENCLOSURE

4. INTAKE BAFFLE (RIGHT SIDE):
 - A. SEE 4,A FOR CISCO 6509-E OR 4,B FOR CISCO-4510: ADJUSTABLE REAR COVER INSTALL, ABOVE
 - B. SLIDE INTAKE BAFFLE ASSEMBLY INTO ENCLOSURE AT DESIRED RU TO THE RIGHT OF YOUR SWITCH
 - C. USE QTY. 4 PLASTIC RIVETS TO ATTACH THE **OPEN** SIDE OF BAFFLE TO THE **FRONT** AND **SIDE** OF THE FRONT VERTICAL POST
 - D. AFTER BAFFLE IS SECURED IN CORRECT LOCATON, REACH INTO INTAKE OF BAFFLE FROM FRONT AND SLIDE ADJUSTABLE REAR COVER TO BACK ACCOMDATE FOR THE DEPTH OF YOUR SPECIFIC SWITCH
 - E. TIGHTEN BOTH WING NUTS TO SECURE ADJUSTABLE REAR COVER

- SWITCH AND ENCLOSURE SHOWN FOR REFERENCE ONLY -



INTERPRET DRAWING PER ASME Y14.5M-1994	
DIMENSIONAL LIMITS APPLY AFTER APPLICATION OF FINISH	
DRAWING NOT TO SCALE	
TOLERANCE UNLESS OTHERWISE NOTED:	
ANGULAR +/- .1°	
.XXXX +/- .010	
.XXX +/- .015	
.XX +/- .030	
.X FOR REF. ONLY	

NOTICE:
Use of this document is subject to a confidentiality and nondisclosure agreement with Great Lakes Case & Cabinet Co., Inc. (GLCC) and may not be reproduced, disclosed or utilized in whole or in part without prior written authorization from GLCC.

PART NUMBER: ENSAB14X100	TITLE: 14 RMU EN INTAKE / EXHAUST BAFFLE KIT FOR 6509-E OR 4510 CISCO SWITCH
QTY PER UNIT: 1	
MATERIAL TYPE:	
MATERIAL GAUGE:	
FINISH:	
DRAWN CD	DATE 12/14/2010
CHECKED & APP. WSS	DATE 11/22/11

DWG NO: 1013114	REV 4	SHEET: 3 OF 3
---------------------------	-----------------	---------------

