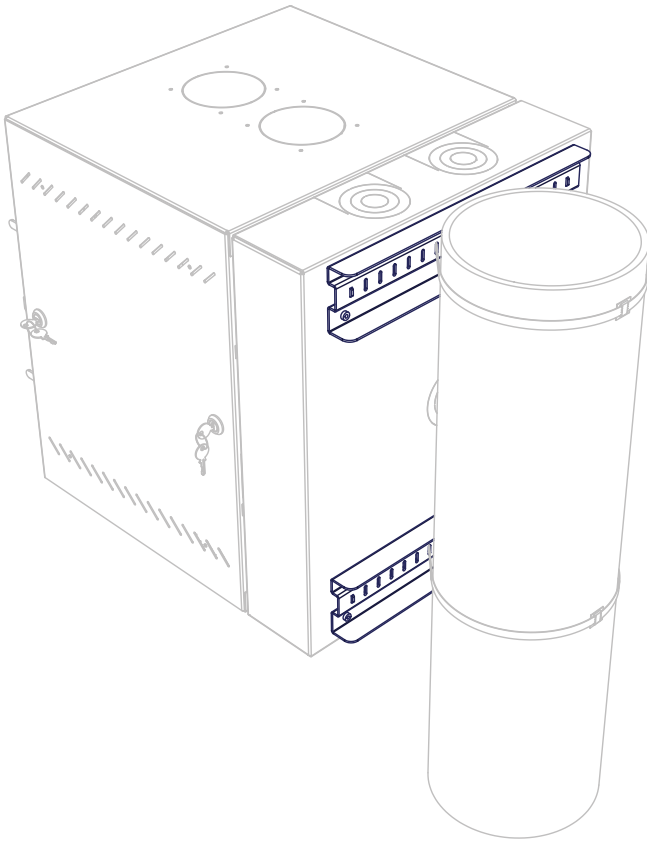


## WMPK Wall Mount Pole Kit Installation Instructions



COMPATIBLE WITH THE FOLLOWING SERIES OF  
WALL MOUNTS AND SWING RACKS:  
WM, N12K, SR, AND SRD

[WeRackYourWorld.com](http://WeRackYourWorld.com)

**1.866.TRY.GLCC (879-4522)**



## SAFETY SYMBOLS USED IN THIS MANUAL



This manual provides general safety guidelines to be observed during installation of a Great Lakes Wall Mount Pole Kit (“Wall Mount Pole Kit”). The guidelines outlined by this manual must be followed when utilizing a Wall Mount Pole Kit to affix a Great Lakes Wall Mount Enclosure (the “Wall Mount Enclosure”) to a pole.

**IT IS THE OBLIGATION AND RESPONSIBILITY OF THE PARTY INSTALLING THE WALL MOUNT POLE KIT TO ENSURE THAT THE WALL MOUNT ENCLOSURE IS MOUNTED PROPERLY. GREAT LAKES CASE & CABINET CO., INC. SHALL HAVE NO OBLIGATION, RESPONSIBILITY, OR LIABILITY ASSOCIATED WITH OR RELATED TO SUCH INSTALLATION.**

Only trained service personnel should receive, unpack, and assemble a Wall Mount Pole Kit. In addition, only trained service personnel should assemble and install a Wall Mount Pole Kit in conjunction with any Wall Mount Enclosure.

All safety instructions, guidelines and considerations outlined in Great Lakes’ WM, WD, WS, WE, 15WM and NEMA Series Wall Mounts (Form MS-05.02) documentation must be followed, and only trained service personnel should install a Wall Mount Pole Kit.

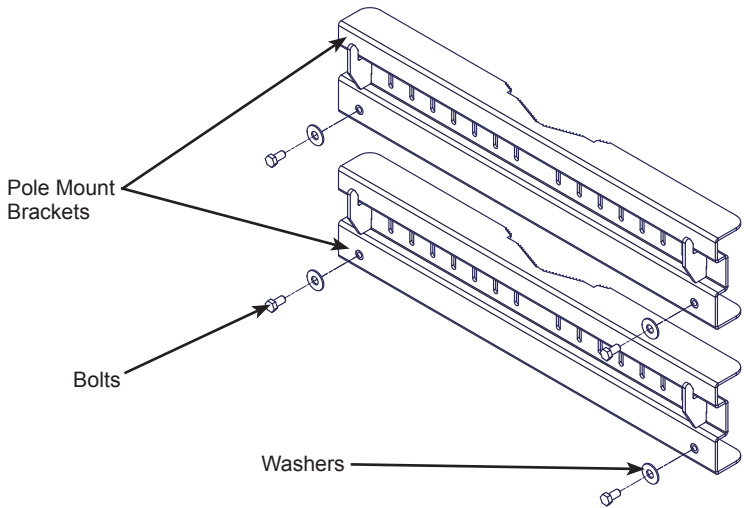
### **PROPER STRAPPING IS REQUIRED TO COMPLETE INSTALLATION OF THE WALL MOUNT POLE KIT.**

In addition to the pole mount brackets and hardware contained in the Wall Mount Pole Kit, heavy duty strapping (along with any associated seals, buckles or other means of securing the strapping) appropriate for the specific environmental conditions surrounding the installation will be required. The proper strapping and installation is the responsibility of the installer of the Wall Mount Pole Kit, and Great Lakes Case & Cabinet Co., Inc. shall have no obligation, responsibility or liability associated with or related to such installation. The Wall Mount Pole Kit should only be installed by trained service personnel with the appropriate expertise and experience to properly complete the installation.

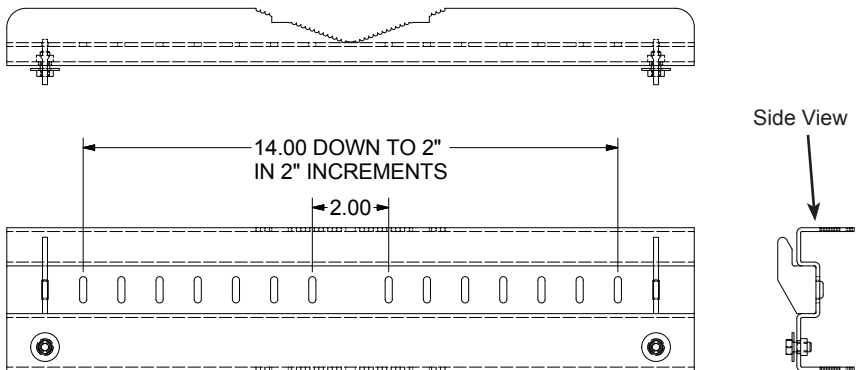
# WHAT'S INCLUDED

COMPONENT	QTY.
Pole Mount Brackets	2
1/4"-20 x 1/2" Bolts	4
1/4" Washers	4

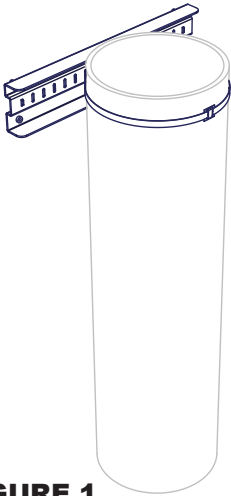
*Note: Strapping/banding is not included. Please note that proper strapping/banding is required to complete the installation of the Wall Mount Pole Kit*



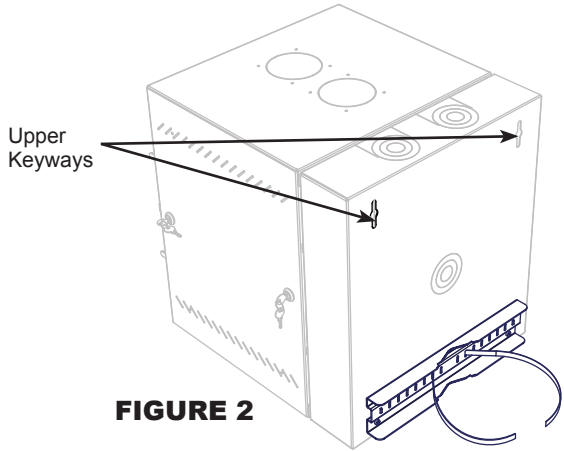
**Brackets are intended to be centered on poles only!**



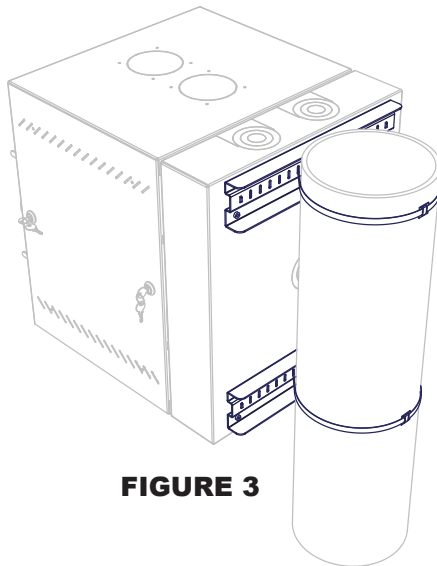
- 1.** Band one bracket to pole using stainless steel banding at the appropriate height for the upper keyways (see **FIGURE 1**)  
For round poles place band trough center slots. For square poles, place band through slots closest to the width of the pole.
- 2.** Tighten upper band fully and clip (see banding supplier instructions)
- 3.** Loosely place band through lower bracket
- 4.** Hook lower bracket into lower keyhole on enclosure and install supplied screws (1/4-20) through keyhole (see **FIGURE 2**)
- 5.** Hang wall mount enclosure onto upper bracket and secure with screws (see **FIGURE 3**)
- 6.** Tighten lower banding around pole clip



**FIGURE 1**

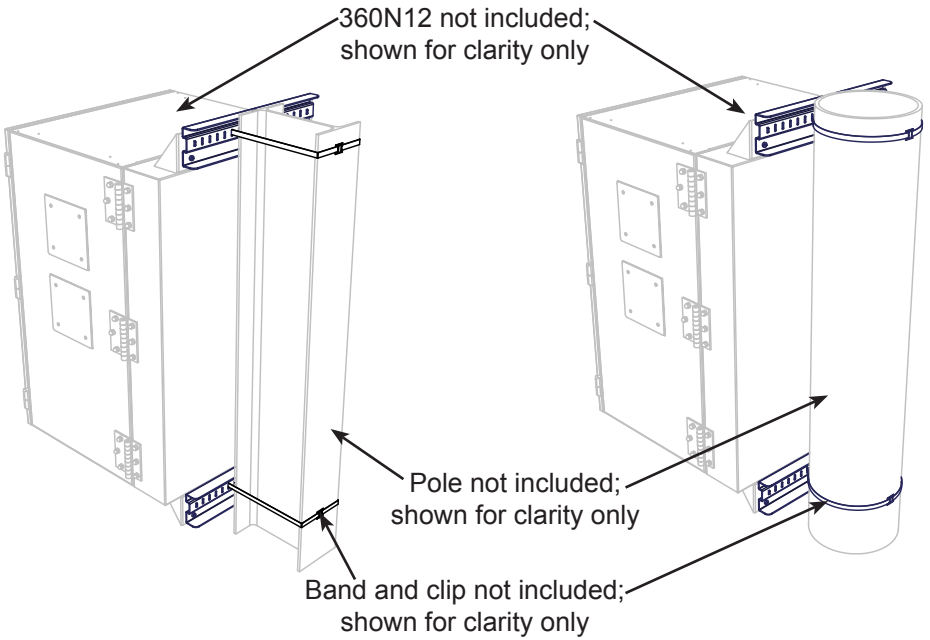


**FIGURE 2**

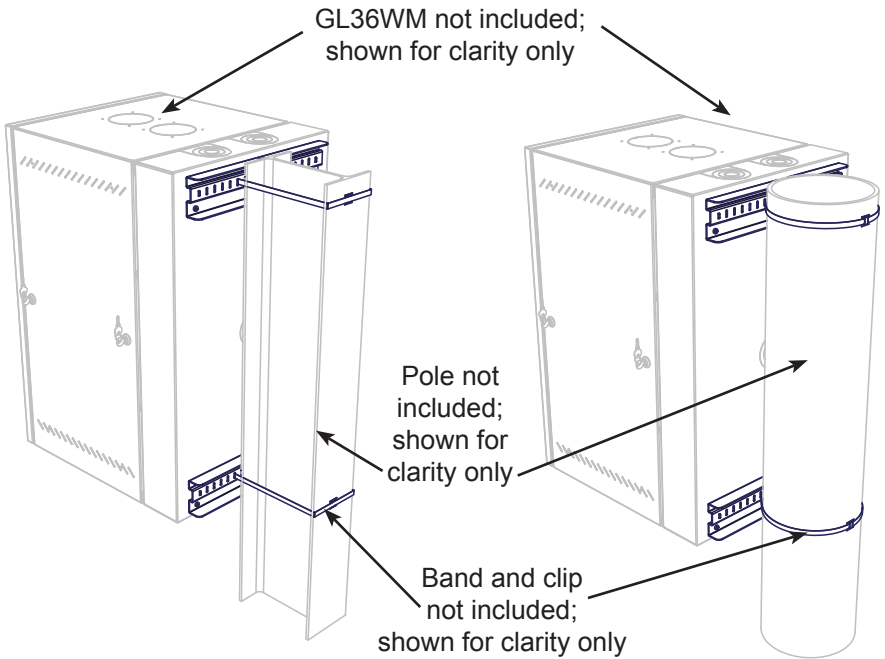


**FIGURE 3**

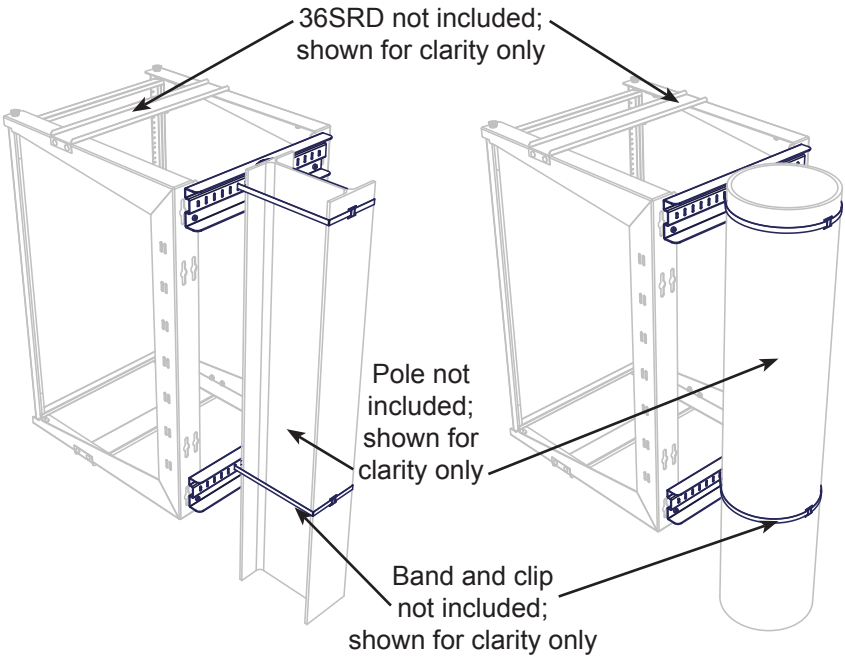
# NEMA 12 SERIES



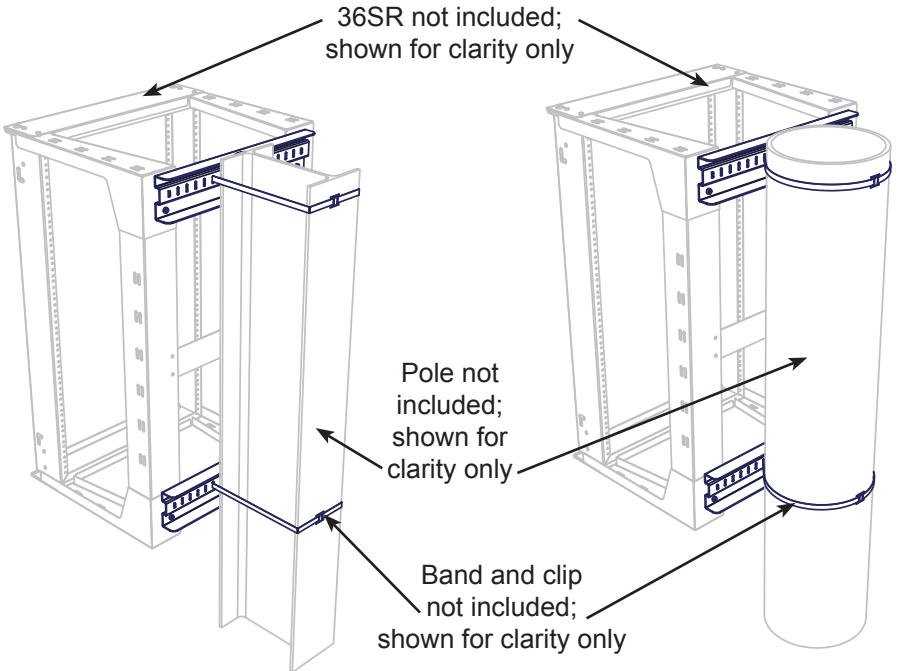
# WM SERIES



# SRD SERIES



# SR SERIES



**GREAT LAKES  
CASE & CABINET**



*Invest in Solid Engineering*

# Thank you for your business!

*we pack  
your  
world!*™



**ETSI Associate Member**

FORM: #MS - 5.02-43, REV 1