

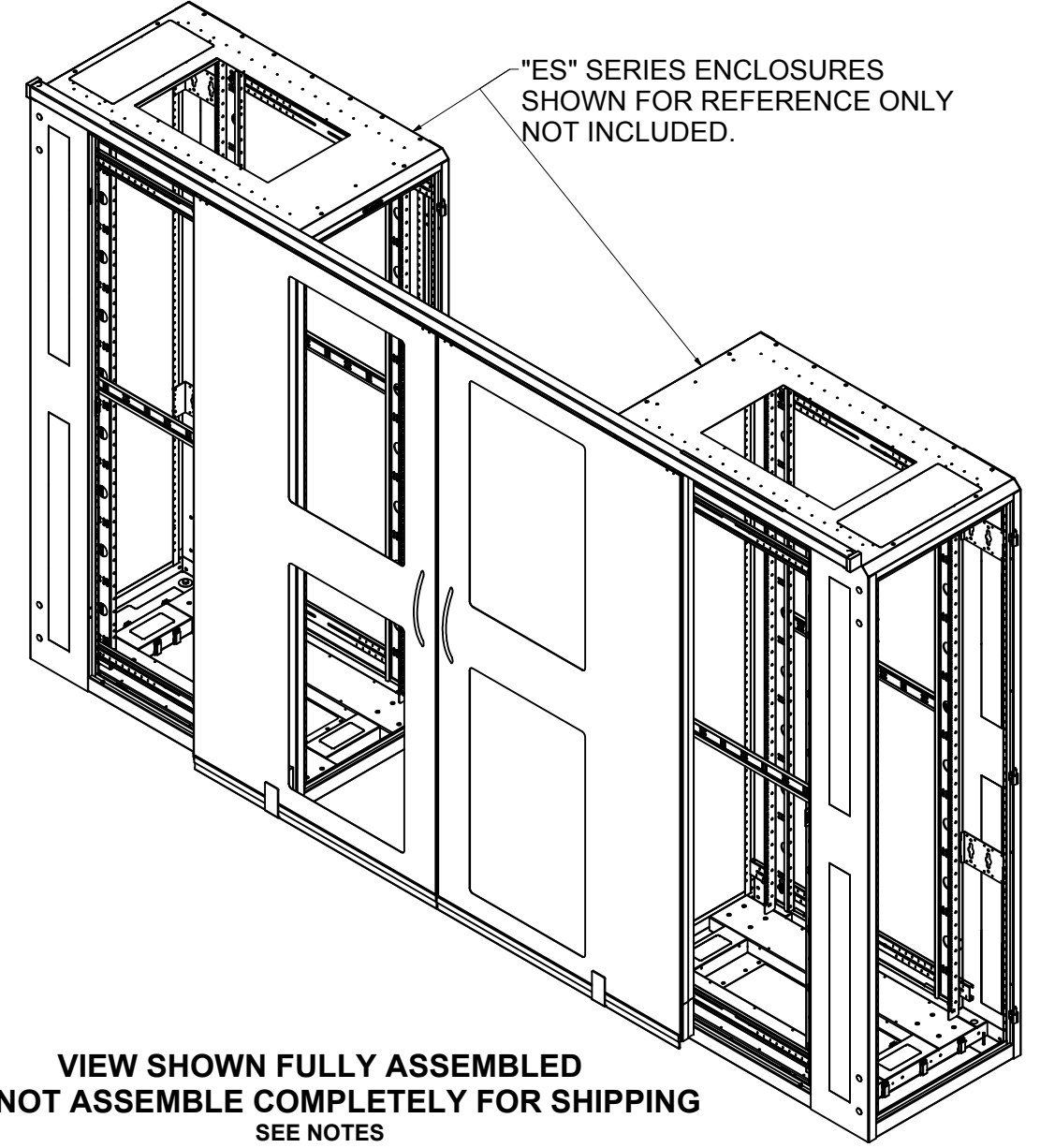
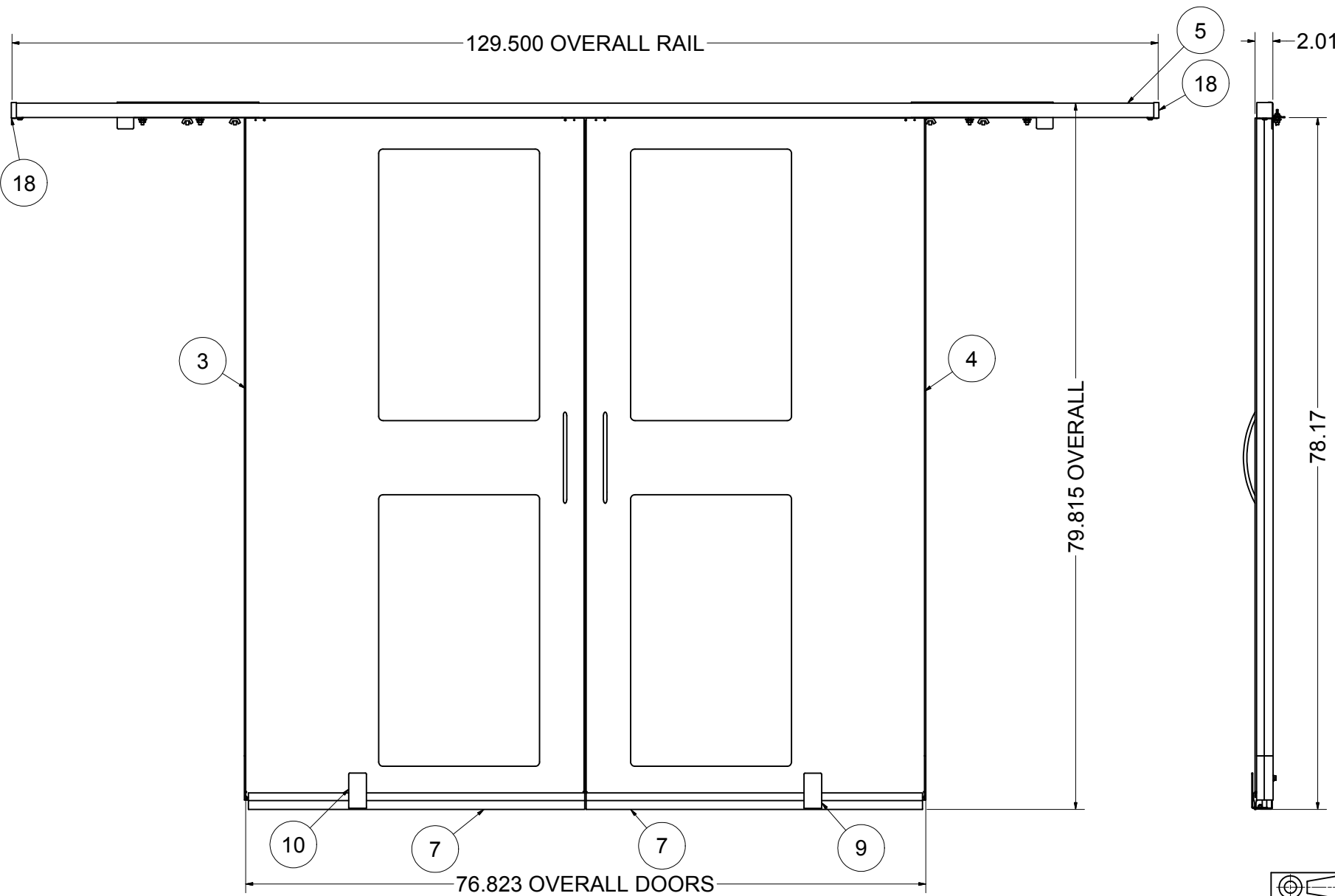
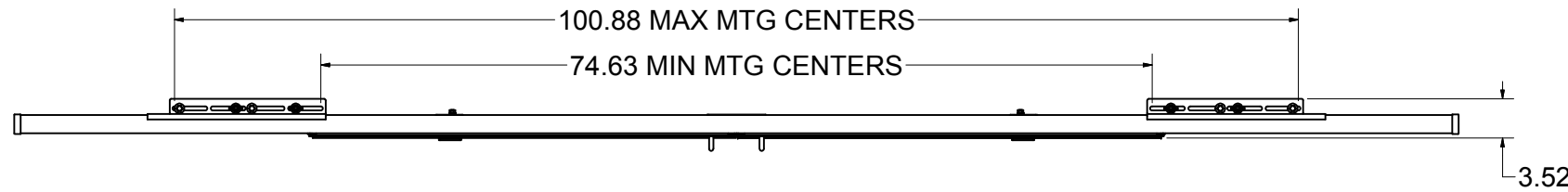
REVISION HISTORY			
REV	DESCRIPTION	DATE	APPROVED
0	ECO-03044	11/5/10	CD
1	ECO-03100	1/13/2011	MZ
2	ECO-03201	4/19/2011	MZ

**SPECIAL NOTES:**

- 1) ASSEMBLE AND INSTALL PARTS IN VIEW A (SHEET 2).
- 2) DO NOT INSTALL TROLLEY ASSEMBLIES ONTO DOORS - VIEW B (SHEET 2).
- 3) DO NOT INSTALL DOORS ONTO TRACK
- 4) ALL OTHER PARTS AND BRUSHES TO BE BAGGED AS KIT AND SHIPPED WITH DOORS, ALIGNMENT BRACKET ASSEMBLIES AND TRACK.

Bill of Material						
ITEM	PART NUMBER	STOCK NUMBER	QTY	DESCRIPTION	FILE NAME	REVISION
1	P1006-1420		2	UNISTRUT 14/20 CHANNEL NUT WITH SPRING (1-5/8" SERIES)	P1006-1420.ipt	-
2			2	1/4-20 x 1/2"L PAN HEAD PHIL TYPE 23 SCREW	14-20X500.ipt	-
3			1	78"H CONTAINMENT DOOR, LEFT SIDE ASSEMBLY	I012898.iam	2
4			1	78"H CONTAINMENT DOOR, RIGHT SIDE ASSEMBLY	I012902.iam	2
5			1	CONTAINMENT DOOR TRACK WELDMENT	I011128.iam	2
6			2	CONTAINMENT DOOR END DOOR STOP	I011144.ipt	1
7			2	BOTTOM BRUSH STRIP, FLEXIBLE PVC, 1" TRIM, (TANIS INC.)	I011134.ipt	0
8			2	FLEXIBLE PVC TRIM, 3" WIDE, CUT LENGTH FROM #FPVC123036 - TANIS MFG.	I011135.ipt	0
9			1	RIGHT BOTTOM ALIGNMENT BRACKET SUB-ASSEMBLY	I011137.iam	2
10			1	LEFT BOTTOM ALIGNMENT BRACKET SUB-ASSEMBLY	I011138.iam	2
11	2ZN214543		4	5/16-18NC x 1"LG. THUMB SCREW, ZINC PLATED STL. (ILS)	2ZN214543.ipt	-
12	2ZN4042		4	5/16-18NC WING NUT, ZINC PLATED STL. (ILS)	2ZN4042.ipt	-
13	516SFLWSHR		12	5/16" ZINC PLATED FLAT WASHER, .875" OD, .375" ID, .082" THICK	516SFLWSHR.ipt	-
14			2	SIDE BRUSH STRIP, FLEXIBLE PVC, 1" TRIM, (TANIS INC.) - TOTAL LENGTH 77"	I012905.iam	0
15	312-18x1hexbolt		4	BOLT, 5/16"-18 X 1" HEX HEAD CAP SCREW, ZINC PLATED	312-18x1hexbolt.ipt	-
16	5/16SPLWSHR		4	WASHER, 5/16" SPLIT LOCK, ZINC PLATED	516SPLWSHR.ipt	-
17	H02-052	H02-052	4	5/16-18 HEX FLANGE SERRATED LOCKNUT ZINC RoHS (5/16-18HXNUT)	H02-052.ipt	-
18	VSC-1625-8		2	1.625" SQ. VINYL CAP, CAPPLUGS, BLACK	VSC-1625-8.ipt	-

(RBZ OR ZINC PL. HARDWARE FOR THE 5/16" SIZES IS ACCEPTABLE)

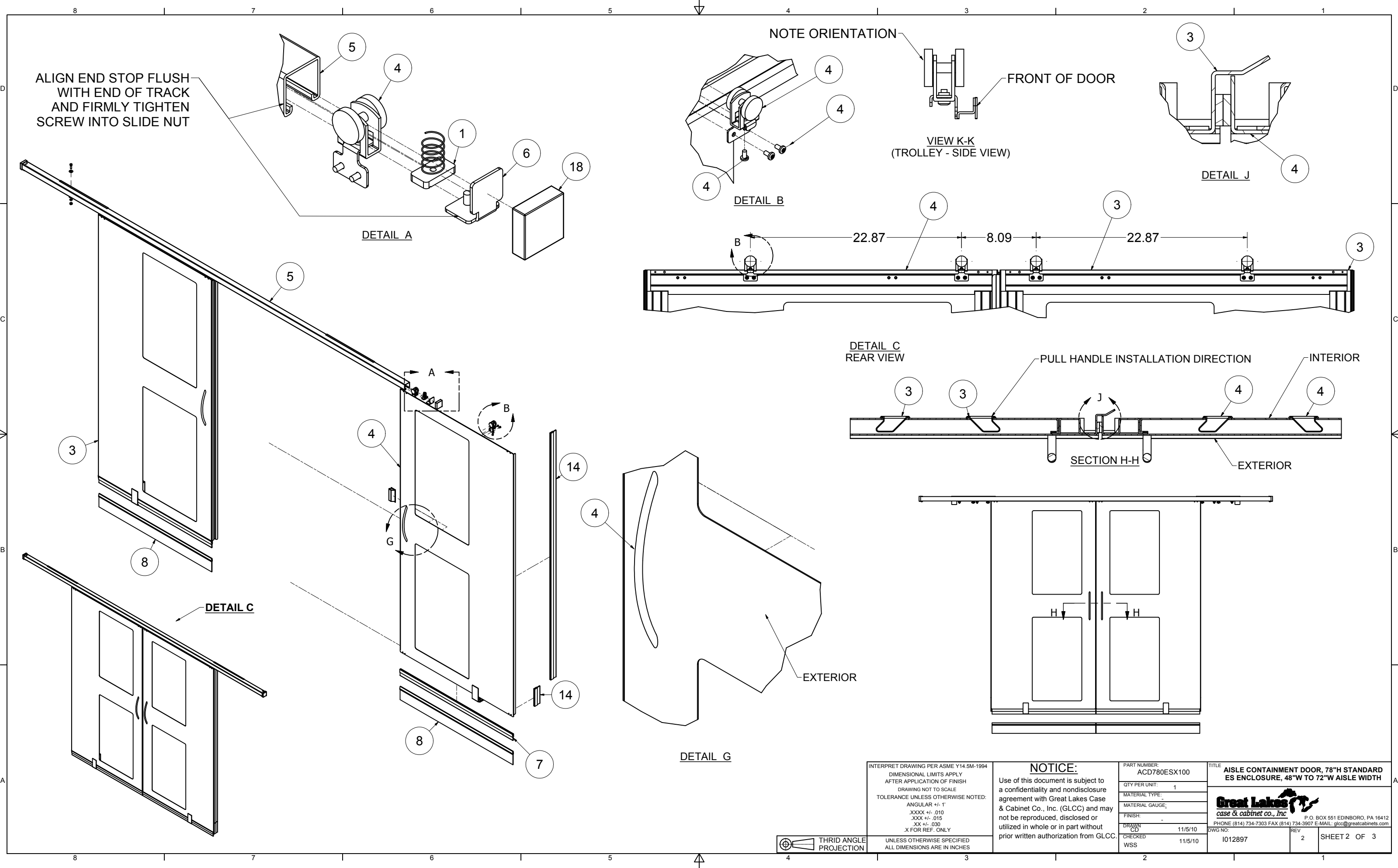


**VIEW SHOWN FULLY ASSEMBLED  
DO NOT ASSEMBLE COMPLETELY FOR SHIPPING  
SEE NOTES**

INTERPRET DRAWING PER ASME Y14.5M-1994 DIMENSIONAL LIMITS APPLY AFTER APPLICATION OF FINISH DRAWING NOT TO SCALE TOLERANCE UNLESS OTHERWISE NOTED: ANGULAR +/- .1" .XXXX +/- .010 .XXX +/- .015 .XX +/- .030 X FOR REF. ONLY	<b>NOTICE:</b> Use of this document is subject to a confidentiality and nondisclosure agreement with Great Lakes Case & Cabinet Co., Inc. (GLCC) and may not be reproduced, disclosed or utilized in whole or in part without prior written authorization from GLCC.	PART NUMBER: <b>ACD780ESX100</b>	TITLE: <b>AISLE CONTAINMENT DOOR, 78"H STANDARD ES ENCLOSURE, 48"W TO 72"W AISLE WIDTH</b>
		QTY PER UNIT: 1	GREAT LAKES CASE & CABINET CO., INC. P.O. BOX 551 EDINBORO, PA 16412 PHONE (814) 734-7303 FAX (814) 734-3907 E-MAIL glcc@greatcabinets.com
		DRAWN CD CHECKED & APP. WSS	DATE 11/5/2010 DATE 11/5/10
		DWG NO: <b>1012897</b>	REV <b>2</b>



THIRD ANGLE PROJECTION



INTERPRET DRAWING PER ASME Y14.5M-1994  
 DIMENSIONAL LIMITS APPLY AFTER APPLICATION OF FINISH  
 DRAWING NOT TO SCALE  
 TOLERANCE UNLESS OTHERWISE NOTED:  
 ANGULAR +/- 1°  
 .XXXX +/- .010  
 .XXX +/- .015  
 .XX +/- .030  
 X FOR REF. ONLY

**NOTICE:**  
 Use of this document is subject to a confidentiality and nondisclosure agreement with Great Lakes Case & Cabinet Co., Inc. (GLCC) and may not be reproduced, disclosed or utilized in whole or in part without prior written authorization from GLCC.

PART NUMBER:  
 ACD780ESX100  
 QTY PER UNIT: 1  
 MATERIAL TYPE:  
 MATERIAL GAUGE:  
 FINISH:  
 DRAWN CD 11/5/10  
 CHECKED WSS 11/5/10

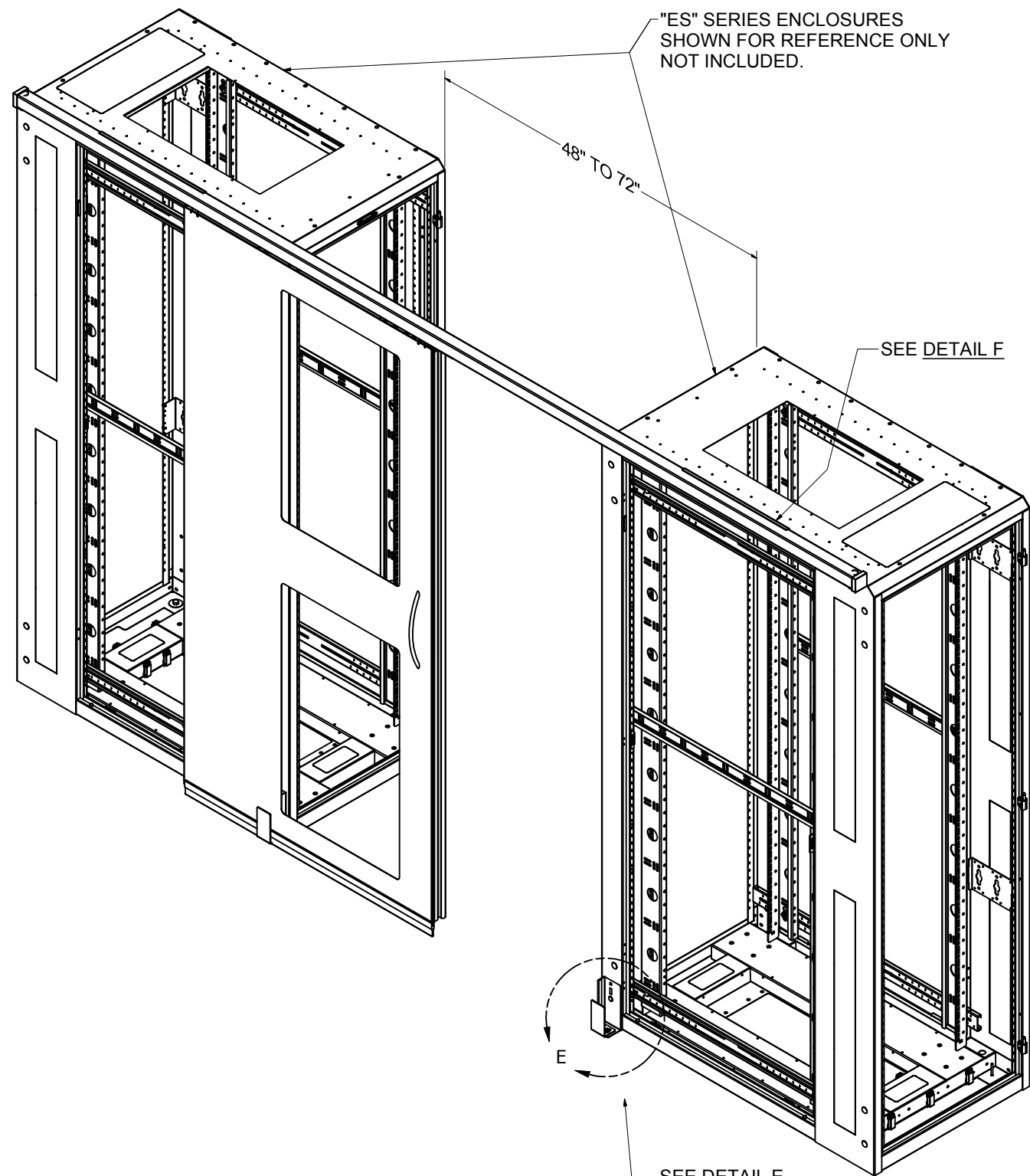
TITLE  
 AISLE CONTAINMENT DOOR, 78"H STANDARD ES ENCLOSURE, 48"W TO 72"W AISLE WIDTH

**Great Lakes**  
*case & cabinet co., inc*  
 P.O. BOX 551 EDINBORO, PA 16412  
 PHONE (814) 734-7303 FAX (814) 734-3907 E-MAIL: glcc@greatcabinets.com

DWG NO: 1012897  
 REV: 2  
 SHEET 2 OF 3

THIRD ANGLE PROJECTION

SHOWN FOR REFERENCE ONLY  
 VENDOR NOT TO ASSEMBLE AS SHOWN ON THIS PAGE



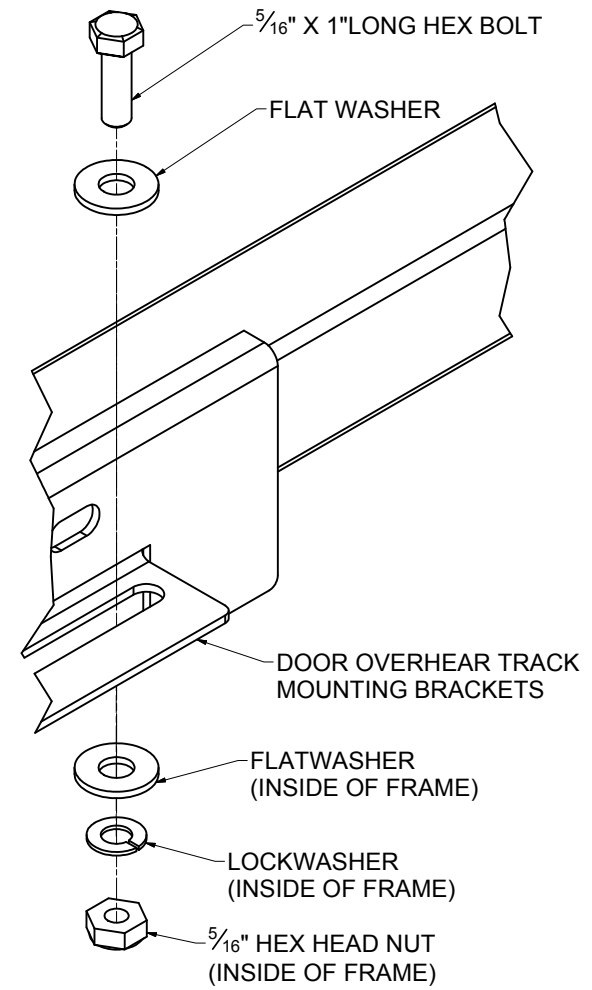
"ES" SERIES ENCLOSURES  
 SHOWN FOR REFERENCE ONLY  
 NOT INCLUDED.

48" TO 72"

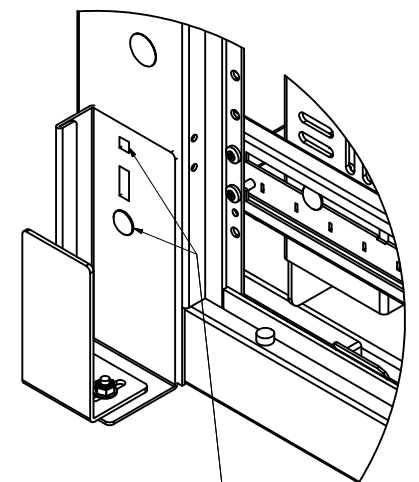
SEE DETAIL F

E

SEE DETAIL E  
 (INSTALLED)



DETAIL F



DETAIL E  
 TYP. BOTH SIDES

USE LOWER HOLE w/o CASTERS  
 AND UPPER HOLE w/CASTERS

INTERPRET DRAWING PER ASME Y14.5M-1994  
 DIMENSIONAL LIMITS APPLY  
 AFTER APPLICATION OF FINISH  
 DRAWING NOT TO SCALE  
 TOLERANCE UNLESS OTHERWISE NOTED:  
 ANGULAR +/- .1°  
 .XXXX +/- .010  
 .XXX +/- .015  
 .XX +/- .030  
 X FOR REF. ONLY

**NOTICE:**

Use of this document is subject to a confidentiality and nondisclosure agreement with Great Lakes Case & Cabinet Co., Inc. (GLCC) and may not be reproduced, disclosed or utilized in whole or in part without prior written authorization from GLCC.

PART NUMBER:	ACD780ESX100
QTY PER UNIT:	1
MATERIAL TYPE:	
MATERIAL GAUGE:	
FINISH:	
DRAWN:	CD 11/5/10
CHECKED:	WSS 11/5/10

TITLE:	AISLE CONTAINMENT DOOR, 78"H STANDARD ES ENCLOSURE, 48"W TO 72"W AISLE WIDTH	
<small>P.O. BOX 551 EDINBORO, PA 16412          PHONE (814) 734-7303 FAX (814) 734-3907 E-MAIL: glcc@greatcabinets.com</small>		
DWG NO:	I012897	REV: 2

THIRD ANGLE PROJECTION

UNLESS OTHERWISE SPECIFIED  
 ALL DIMENSIONS ARE IN INCHES