

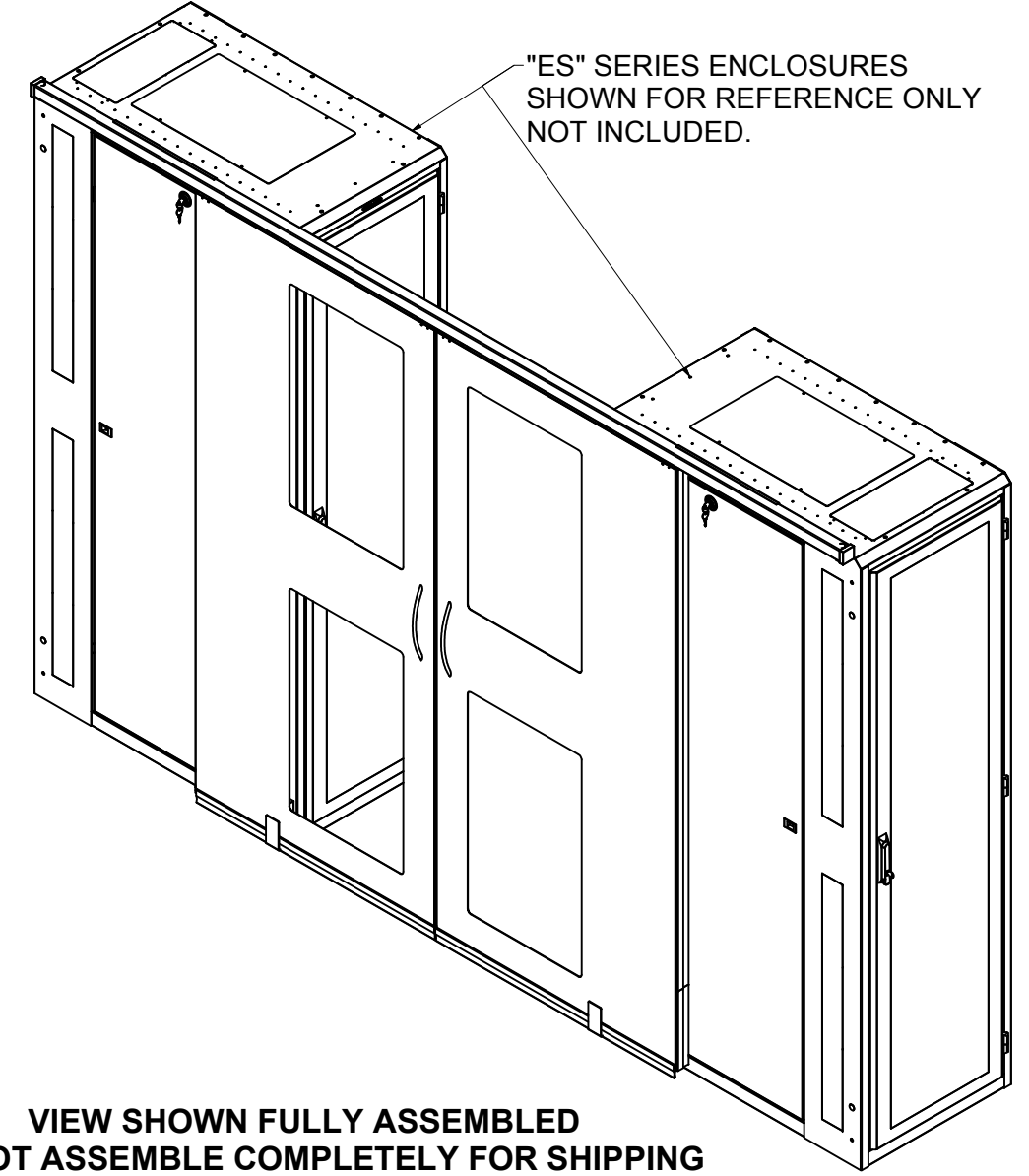
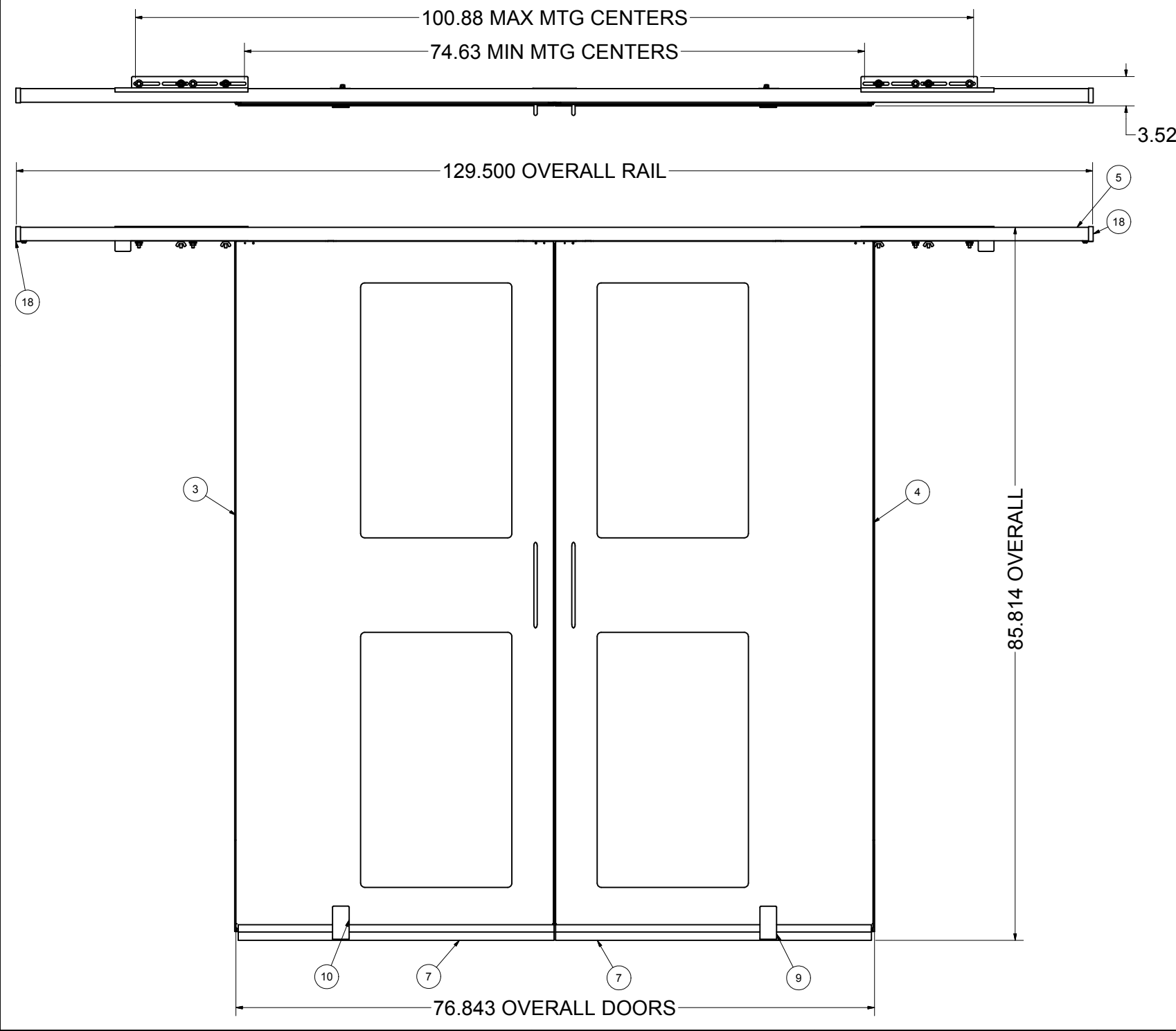
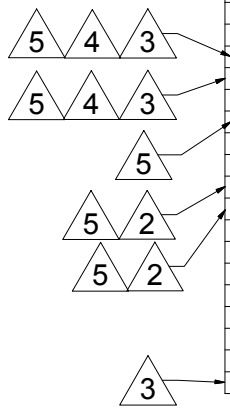
| REVISION HISTORY |             |           |          |
|------------------|-------------|-----------|----------|
| REV              | DESCRIPTION | DATE      | APPROVED |
| 0                | ECO-02707   | 11/6/2009 | FED      |
| 1                | ECO-02908   | 7/1/10    | CD       |
| 2                | ECO-02965   | 9/2/10    | WSS      |
| 3                | ECO-02993   | 9/21/2010 | WSS      |
| 4                | ECO-03100   | 1/13/2011 | MZ       |
| 5                | ECO-03201   | 4/19/2011 | MZ       |

**SPECIAL NOTES:**

- 1) ASSEMBLE AND INSTALL PARTS IN VIEW A (SHEET 2).
- 2) DO NOT INSTALL TROLLEY ASSEMBLIES ONTO DOORS - VIEW B (SHEET 2).
- 3) DO NOT INSTALL DOORS ONTO TRACK
- 4) ALL OTHER PARTS AND BRUSHES TO BE BAGGED AS KIT AND SHIPPED WITH DOORS, ALIGNMENT BRACKET ASSEMBLIES AND TRACK.

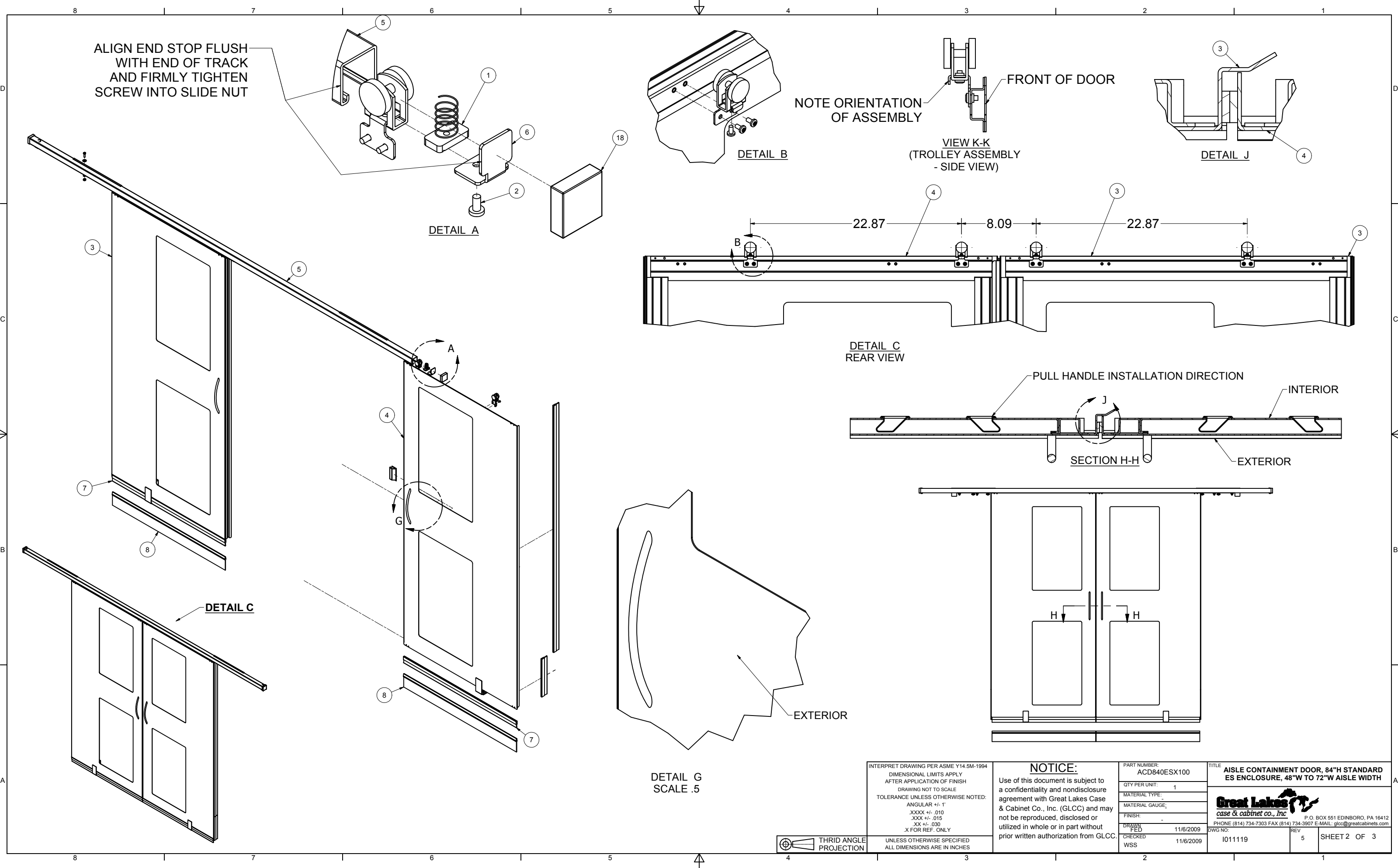
| Bill of Material |                 |              |     |  |                     |          |
|------------------|-----------------|--------------|-----|--|---------------------|----------|
| ITEM             | PART NUMBER     | STOCK NUMBER | QTY | DESCRIPTION  | FILE NAME           | REVISION |
| 1                | P1006-1420      |              | 2   | UNISTRUT 14/20 CHANNEL NUT WITH SPRING (1-5/8" SERIES)                   | P1006-1420.ipt      | -        |
| 2                |                 |              | 2   | 1/4-20 x 1/2" L PAN HEAD PHIL TYPE 23 SCREW                              | 14-20X500.ipt       | -        |
| 3                |                 |              | 1   | CONTAINMENT DOOR LEFT SIDE ASSEMBLY                                      | I011120.iam         | 5        |
| 4                |                 |              | 1   | CONTAINMENT DOOR, RIGHT SIDE ASSEMBLY                                    | I011123.iam         | 5        |
| 5                |                 |              | 1   | CONTAINMENT DOOR TRACK WELDMENT  | I011128.iam         | 2        |
| 6                |                 |              | 2   | CONTAINMENT DOOR END DOOR STOP   | I011144.ipt         | 1        |
| 7                |                 |              | 2   | BOTTOM BRUSH STRIP, FLEXIBLE PVC, 1" TRIM, (TANIS INC.)                  | I011134.ipt         | 0        |
| 8                |                 |              | 2   | FLEXIBLE PVC TRIM, 3" WIDE, CUT LENGTH FROM #FPVC123036 - TANIS MFG.     | I011135.ipt         | 0        |
| 9                |                 |              | 1   | RIGHT BOTTOM ALIGNMENT BRACKET SUB-ASSEMBLY                              | I011137.iam         | 2        |
| 10               |                 |              | 1   | LEFT BOTTOM ALIGNMENT BRACKET SUB-ASSEMBLY                               | I011138.iam         | 2        |
| 11               | 2ZN214543       |              | 4   | 5/16-18NC x 1" LG. THUMB SCREW, ZINC PLATED STL. (ILS)                   | 2ZN214543.ipt       | -        |
| 12               | 2ZN4042         |              | 4   | 5/16-18NC WING NUT, ZINC PLATED STL. (ILS)                               | 2ZN4042.ipt         | -        |
| 13               | 516SFLWSHR      |              | 12  | 5/16" ZINC PLATED FLAT WASHER, .875" OD, .375" ID, .082" THICK           | 516SFLWSHR.ipt      | -        |
| 14               |                 |              | 2   | SIDE BRUSH STRIP, FLEXIBLE PVC, 1" TRIM, (TANIS INC.) - TOTAL LENGTH 83" | I011143.iam         | 1        |
| 15               | 312-18x1hexbolt |              | 4   | BOLT, 5/16"-18 X 1" HEX HEAD CAP SCREW, ZINC PLATED                      | 312-18x1hexbolt.ipt | -        |
| 16               | 5/16SPLWSHR     |              | 4   | WASHER, 5/16" SPLIT LOCK, ZINC PLATED                                    | 516SPLWSHR.ipt      | -        |
| 17               | H02-052         | H02-052      | 4   | 5/16-18 HEX FLANGE SERRATED LOCKNUT ZINC RoHS (5/16-18HXNUT)             | H02-052.ipt         | -        |
| 18               | VSC-1625-8      |              | 2   | 1.625" SQ. VINYL CAP, CAPPLUGS, BLACK                                    | VSC-1625-8.ipt      | -        |

(RBZ OR ZINC PL. HARDWARE FOR THE 5/16" SIZES IS ACCEPTABLE)



**VIEW SHOWN FULLY ASSEMBLED  
DO NOT ASSEMBLE COMPLETELY FOR SHIPPING  
SEE NOTES**

|  |   |  |   |
|--|---|--|---|
| INTERPRET DRAWING PER ASME Y14.5M-1994<br>DIMENSIONAL LIMITS APPLY<br>AFTER APPLICATION OF FINISH<br>DRAWING NOT TO SCALE<br>TOLERANCE UNLESS OTHERWISE NOTED:<br>ANGULAR +/- .1"<br>.XXXX +/- .010<br>.XXX +/- .015<br>.XX +/- .030<br>.X FOR REF. ONLY | <b>NOTICE:</b><br>Use of this document is subject to a confidentiality and nondisclosure agreement with Great Lakes Case & Cabinet Co., Inc. (GLCC) and may not be reproduced, disclosed or utilized in whole or in part without prior written authorization from GLCC. | PART NUMBER:<br><b>ACD840ESX100</b><br>QTY PER UNIT: 1<br>MATERIAL TYPE:<br>MATERIAL GAUGE:<br>FINISH: | TITLE:<br><b>AISLE CONTAINMENT DOOR, 84"H STANDARD ES ENCLOSURE, 48"W TO 72"W AISLE WIDTH</b><br><b>GREAT LAKES CASE &amp; CABINET CO., INC.</b><br>P.O. BOX 551 EDINBORO, PA 16412<br>PHONE (814) 734-7303 FAX (814) 734-3907<br>E-MAIL glcc@greatcabinets.com |
| THIRD ANGLE PROJECTION<br>UNLESS OTHERWISE SPECIFIED ALL DIMENSIONS ARE IN INCHES  | DRAWN: FED<br>CHECKED & APP. WSS<br>DATE: 11/6/2009   | DWG NO.:<br><b>I011119</b><br>REV: <b>5</b>  | SHEET: 1 OF 3   |



INTERPRET DRAWING PER ASME Y14.5M-1994  
 DIMENSIONAL LIMITS APPLY AFTER APPLICATION OF FINISH  
 DRAWING NOT TO SCALE  
 TOLERANCE UNLESS OTHERWISE NOTED:  
 ANGULAR +/- .1°  
 .XXXX +/- .010  
 .XXX +/- .015  
 .XX +/- .030  
 X FOR REF. ONLY

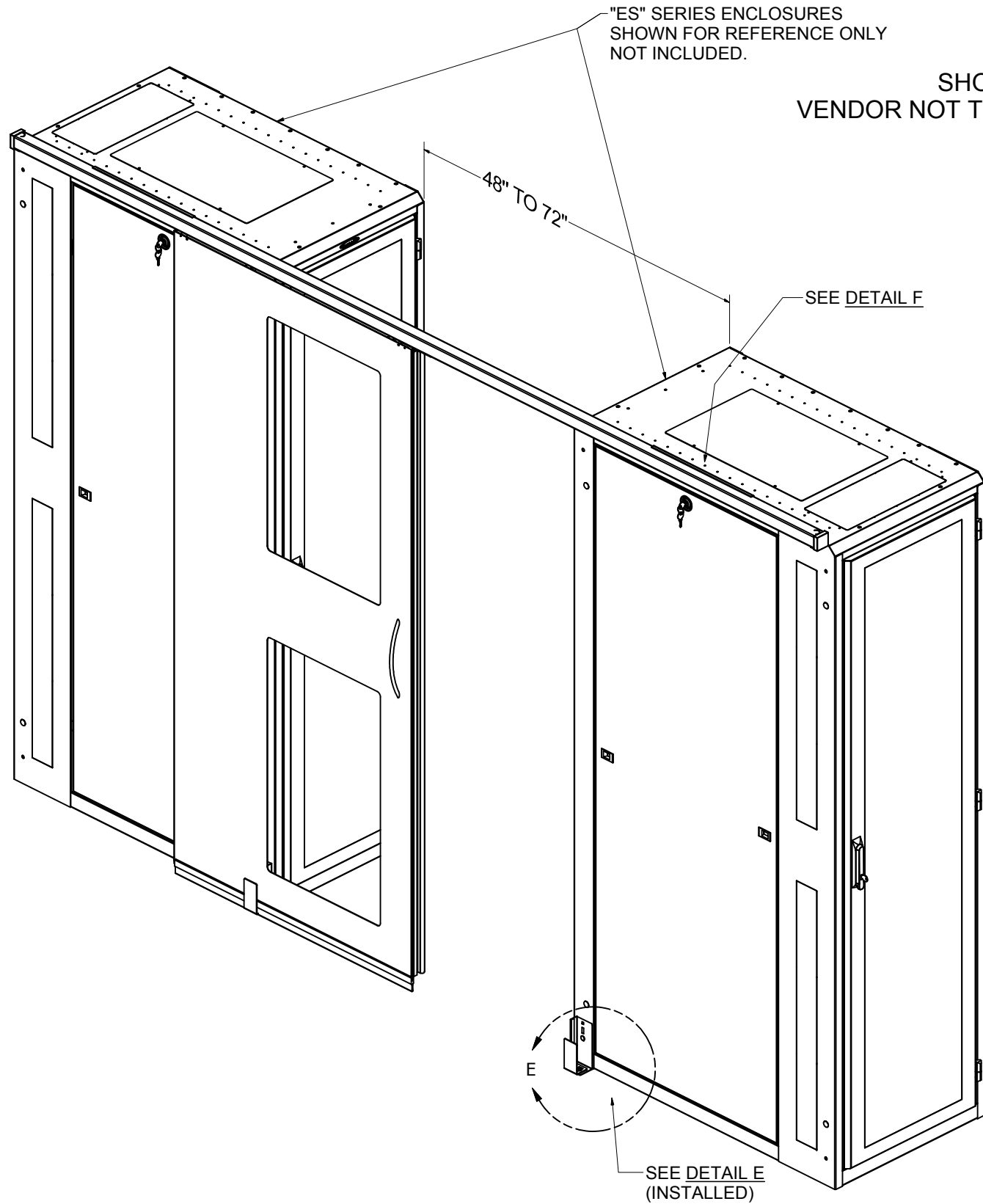
**NOTICE:**  
 Use of this document is subject to a confidentiality and nondisclosure agreement with Great Lakes Case & Cabinet Co., Inc. (GLCC) and may not be reproduced, disclosed or utilized in whole or in part without prior written authorization from GLCC.

|                 |              |
|-----------------|--------------|
| PART NUMBER:    | ACD840ESX100 |
| QTY PER UNIT:   | 1            |
| MATERIAL TYPE:  |              |
| MATERIAL GAUGE: |              |
| FINISH:         |              |
| DRAWN:          | FED          |
| CHECKED:        | WSS          |
| DATE:           | 11/6/2009    |

|         |         |   |   |
|---------|---------|---|---|
| TITLE   |         | AISLE CONTAINMENT DOOR, 84"H STANDARD ES ENCLOSURE, 48"W TO 72"W AISLE WIDTH                              |   |
| DRAWN   |         | Great Lakes<br>case & cabinet co., inc  |   |
| CHECKED |         | P.O. BOX 551 EDINBORO, PA 16412<br>PHONE (814) 734-7303 FAX (814) 734-3907 E-MAIL: glcc@greatcabinets.com |   |
| DWG NO: | 1011119 | REV   | 5 |

THIRD ANGLE PROJECTION

UNLESS OTHERWISE SPECIFIED ALL DIMENSIONS ARE IN INCHES



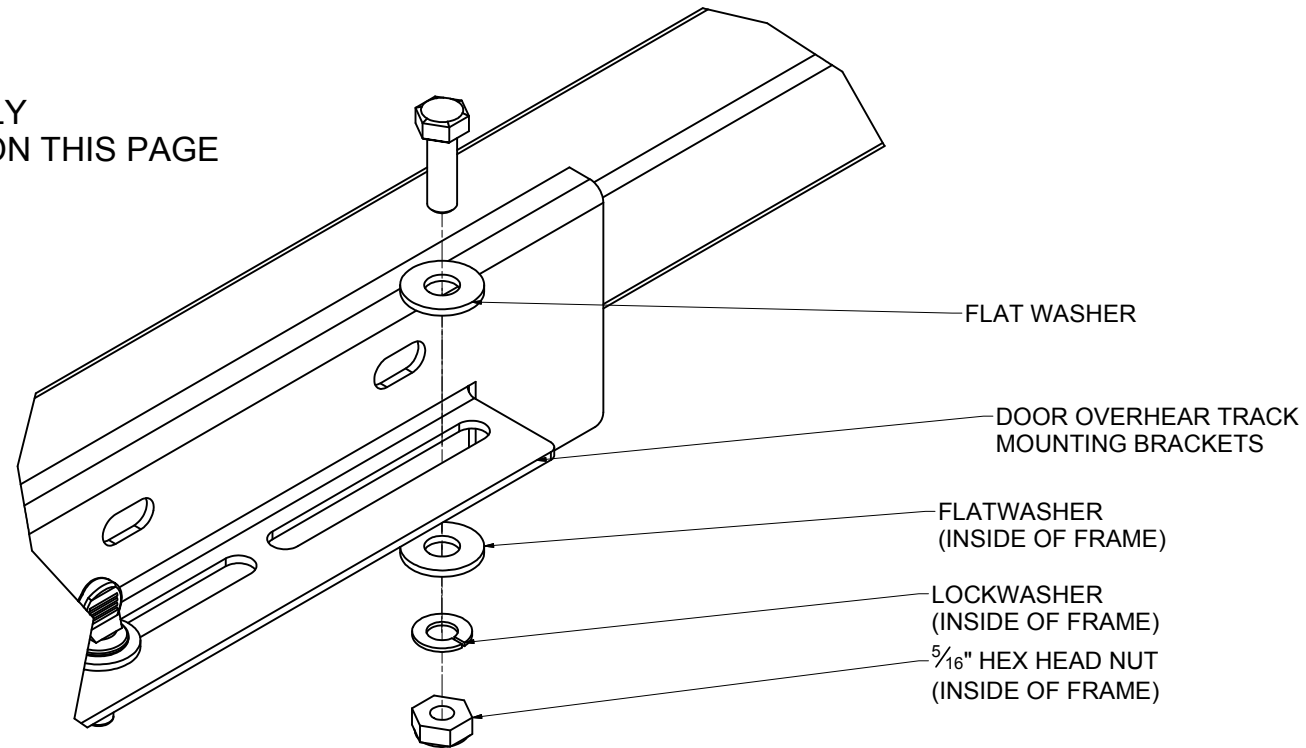
"ES" SERIES ENCLOSURES  
SHOWN FOR REFERENCE ONLY  
NOT INCLUDED.

SHOWN FOR REFERENCE ONLY  
VENDOR NOT TO ASSEMBLE AS SHOWN ON THIS PAGE

48" TO 72"

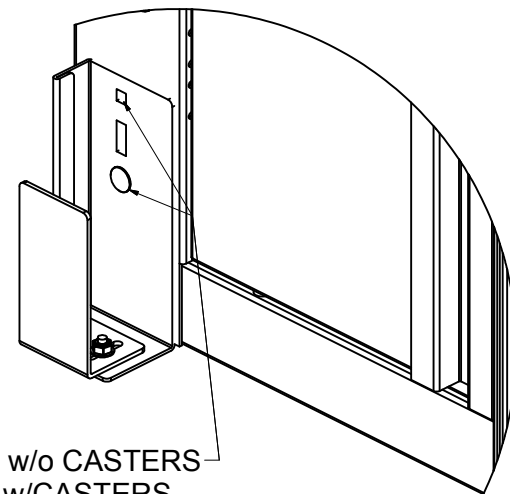
SEE DETAIL F

SEE DETAIL E  
(INSTALLED)



DETAIL F  
SCALE 1

USE LOWER HOLE w/o CASTERS  
AND UPPER HOLE w/CASTERS



DETAIL E  
TYP BOTH SIDES

INTERPRET DRAWING PER ASME Y14.5M-1994  
DIMENSIONAL LIMITS APPLY  
AFTER APPLICATION OF FINISH  
DRAWING NOT TO SCALE  
TOLERANCE UNLESS OTHERWISE NOTED:  
ANGULAR +/- .1"  
.XXXX +/- .010  
.XXX +/- .015  
.XX +/- .030  
.X FOR REF. ONLY

**NOTICE:**

Use of this document is subject to a confidentiality and nondisclosure agreement with Great Lakes Case & Cabinet Co., Inc. (GLCC) and may not be reproduced, disclosed or utilized in whole or in part without prior written authorization from GLCC.

PART NUMBER:  
ACD840ESX100  
QTY PER UNIT: 1  
MATERIAL TYPE:  
MATERIAL GAUGE:  
FINISH:  
DRAWN: 11/6/2009  
CHECKED: WSS  
11/6/2009

TITLE  
AISLE CONTAINMENT DOOR, 84"H STANDARD  
ES ENCLOSURE, 48"W TO 72"W AISLE WIDTH



DWG NO: 1011119  
REV: 5  
SHEET 3 OF 3



THIRD ANGLE  
PROJECTION  
UNLESS OTHERWISE SPECIFIED  
ALL DIMENSIONS ARE IN INCHES