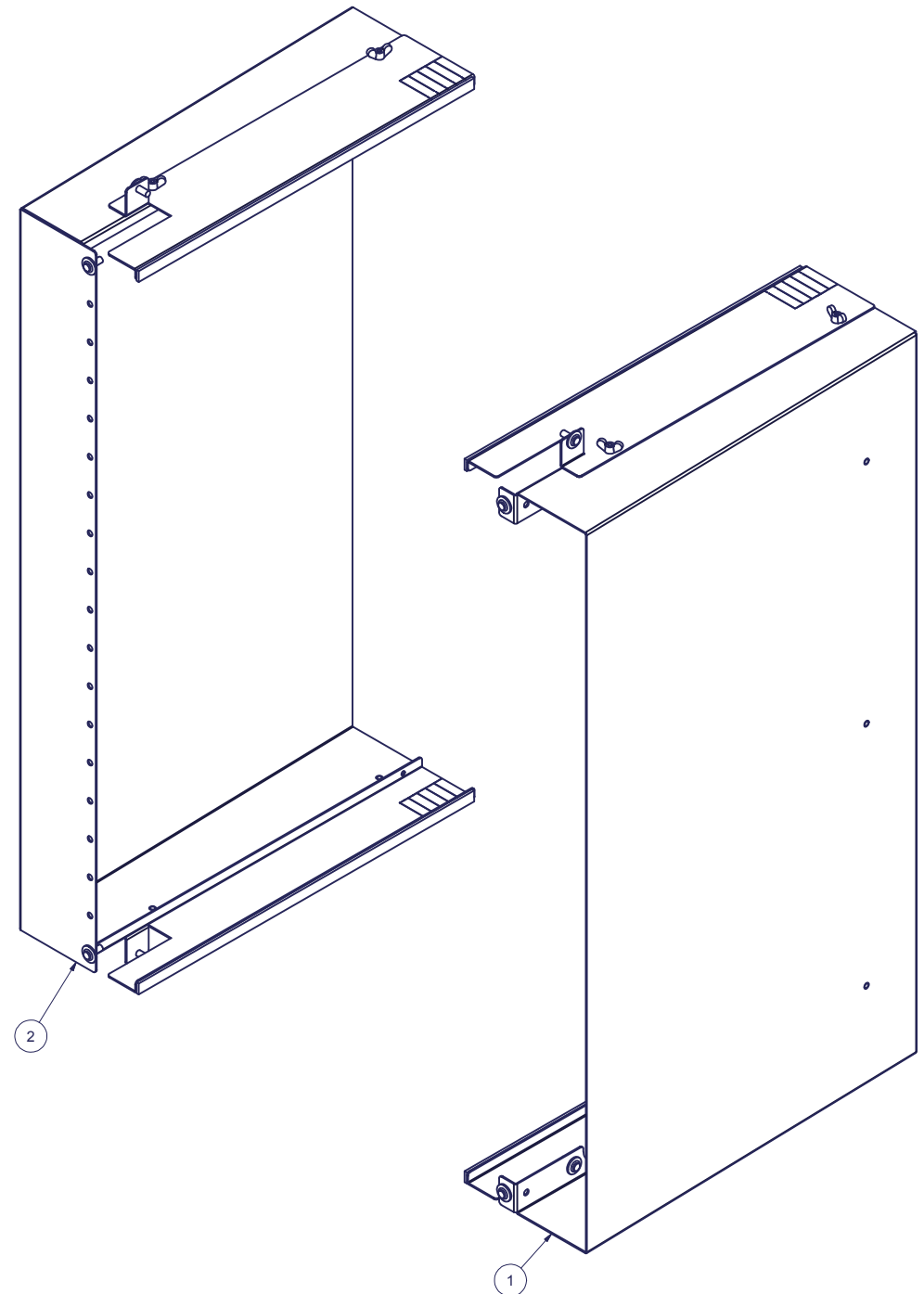
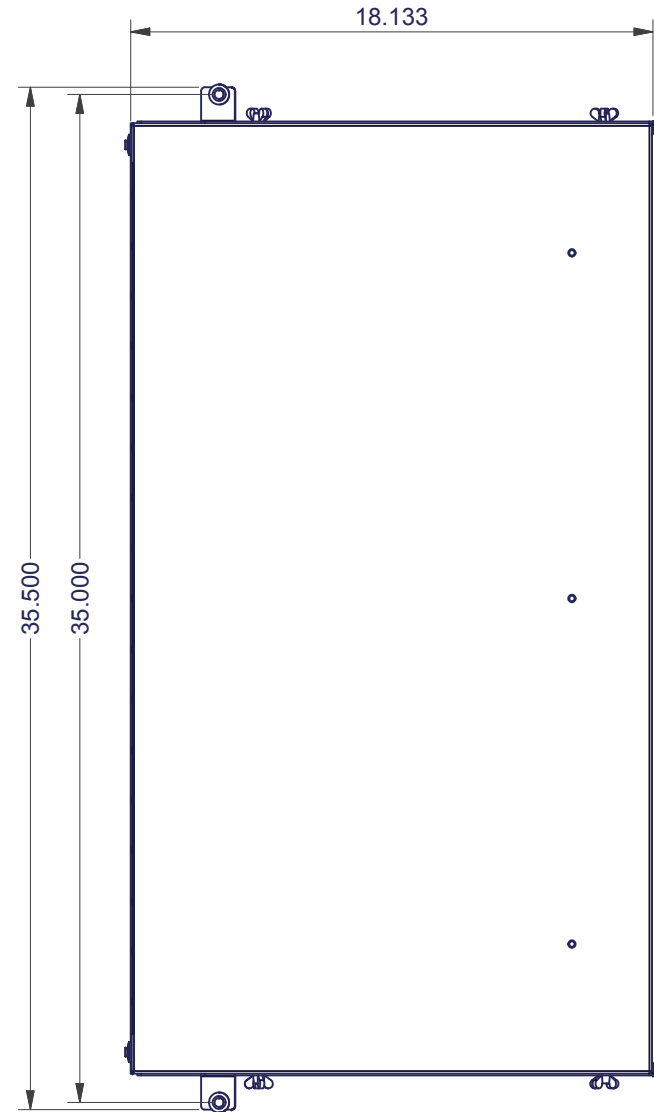
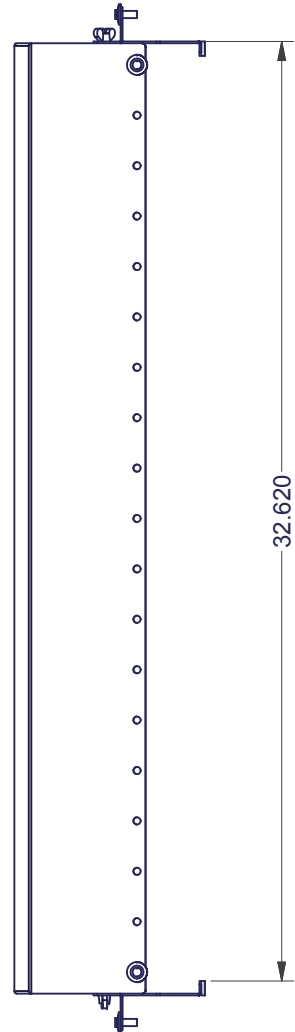
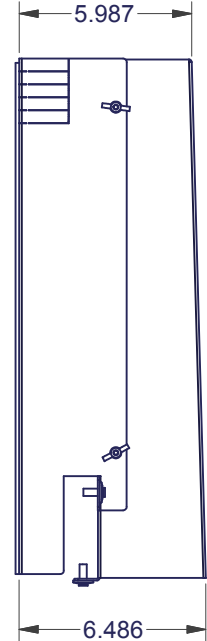
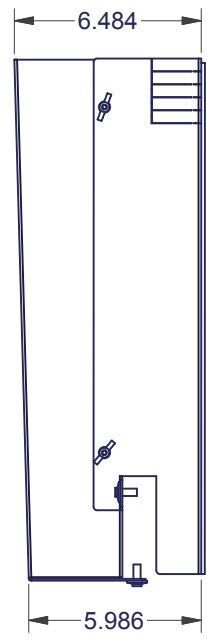


REVISION HISTORY			
REV	DESCRIPTION	DATE	APPROVED
0	ECO-03074	12/14/10	CD

Bill of Material						
ITEM	PART NUMBER	STOCK NUMBER	QTY	DESCRIPTION	FILE NAME	REVISION
1			1	EN INTAKE BAFFLE FOR 6513-E CISCO SWITCH	I013121.iam	0
2			1	EN EXHAUST BAFFLE FOR 6513-E CISCO SWITCH	I013124.iam	0



NOTES:
 1. PACKAGE TOGETHER AS KIT
 2. SEE SHEET 2 FOR INSTALLATION INSTRUCTIONS

INTERPRET DRAWING PER ASME Y14.5M-1994
 DIMENSIONAL LIMITS APPLY
 AFTER APPLICATION OF FINISH
 DRAWING NOT TO SCALE
 TOLERANCE UNLESS OTHERWISE NOTED:
 ANGULAR +/- .1"
 .XXXX +/- .010
 .XXX +/- .015
 .XX +/- .030
 .X FOR REF. ONLY

NOTICE:
 Use of this document is subject to a confidentiality and nondisclosure agreement with Great Lakes Case & Cabinet Co., Inc. (GLCC) and may not be reproduced, disclosed or utilized in whole or in part without prior written authorization from GLCC.

PART NUMBER:
ENSAB19X100
 QTY PER UNIT: 1
 MATERIAL TYPE:
 MATERIAL GAUGE:
 FINISH:

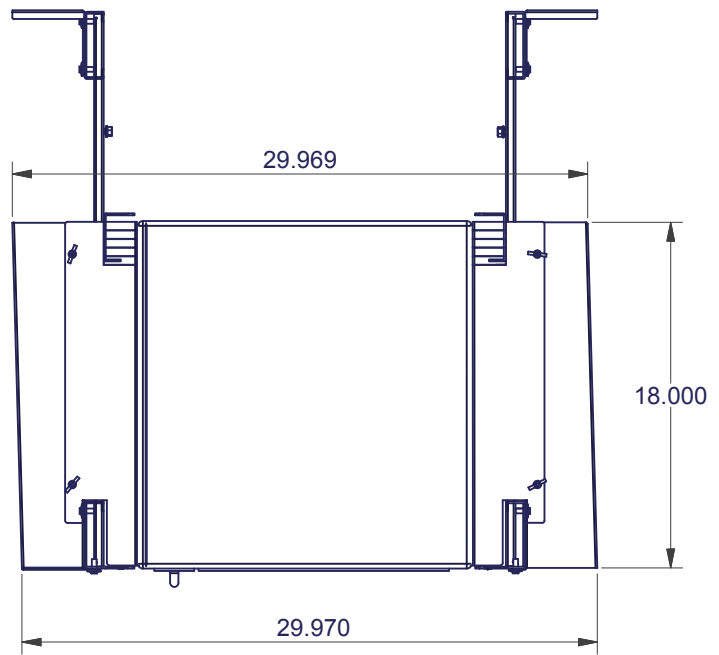
TITLE
19 RMU EN INTAKE / EXHAUST BAFFLE KIT FOR 6513-E CISCO SWITCH
 GREAT LAKES CASE & CABINET CO., INC.
 P.O. BOX 551 EDINBORO, PA 16412
 PHONE (814) 734-7303 FAX (814) 734-3907
 E-MAIL glcc@greatcabinets.com



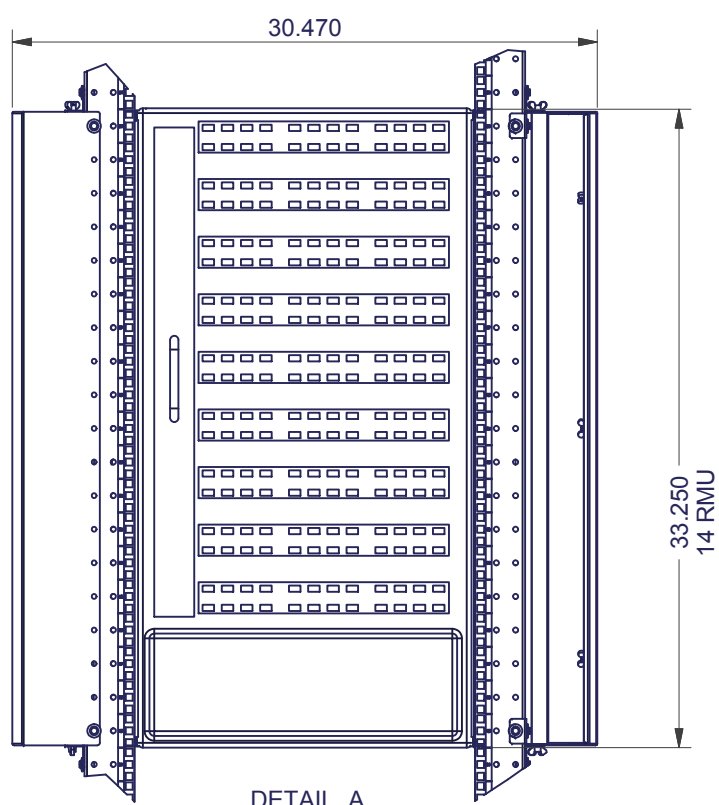
THIRD ANGLE PROJECTION
 UNLESS OTHERWISE SPECIFIED ALL DIMENSIONS ARE IN INCHES

DRAWN CD DATE 2/3/2011
 CHECKED & APP. WSS DATE 12/14/10

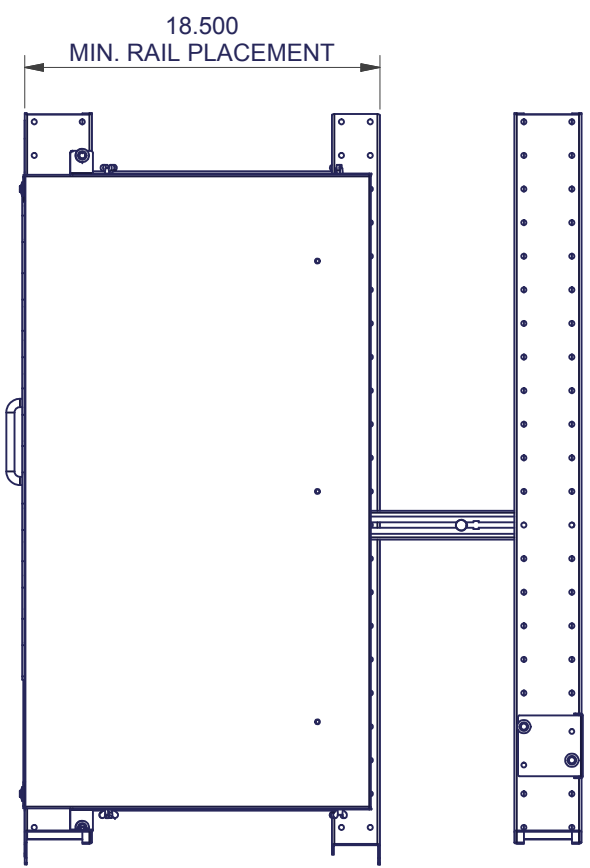
DWG NO: I013120
 REV: 0
 SHEET: 1 OF 2



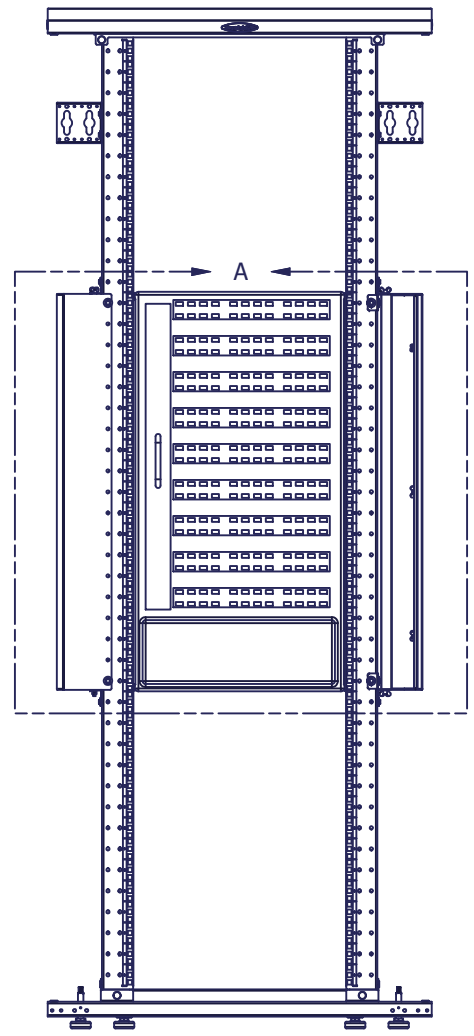
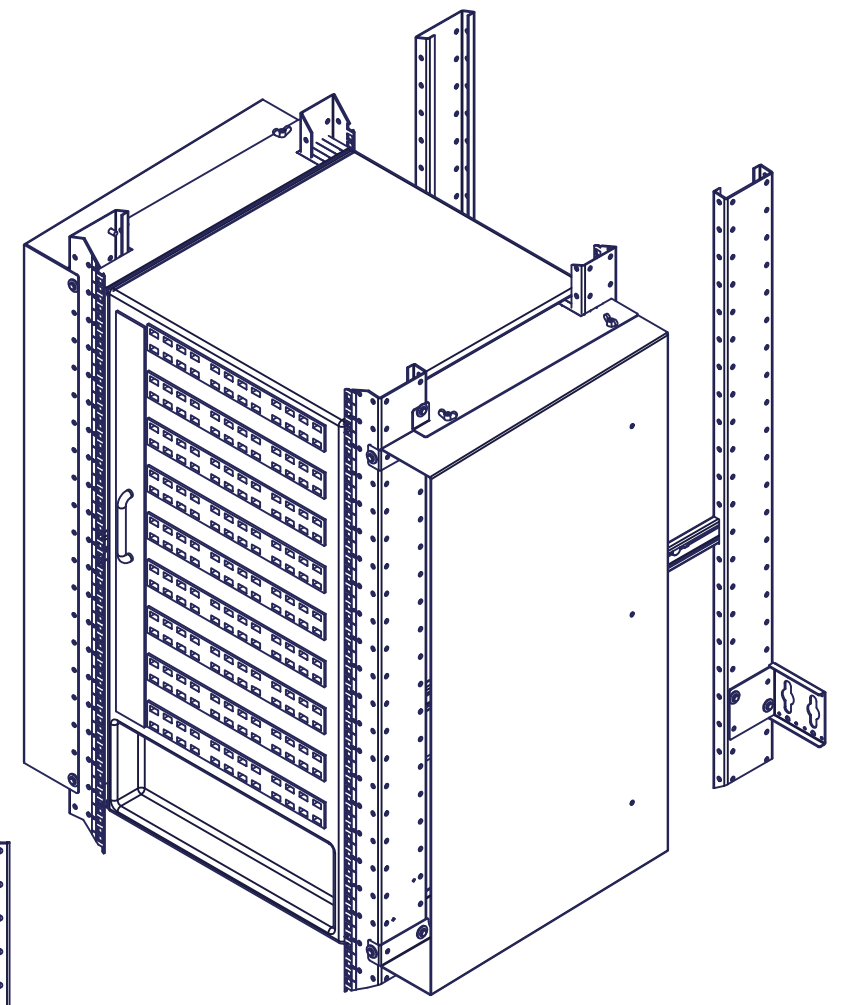
DETAIL A
TOP VIEW



DETAIL A



DETAIL A
RIGHT SIDE VIEW



ENCLOSURE AND SWITCH SHOWN FOR REFERENCE ONLY

INTERPRET DRAWING PER ASME Y14.5M-1994
DIMENSIONAL LIMITS APPLY AFTER APPLICATION OF FINISH
DRAWING NOT TO SCALE
TOLERANCE UNLESS OTHERWISE NOTED:
ANGULAR +/- .1°
.XXXX +/- .010
.XXX +/- .015
.XX +/- .030
.X FOR REF. ONLY
UNLESS OTHERWISE SPECIFIED ALL DIMENSIONS ARE IN INCHES

NOTICE:
Use of this document is subject to a confidentiality and nondisclosure agreement with Great Lakes Case & Cabinet Co., Inc. (GLCC) and may not be reproduced, disclosed or utilized in whole or in part without prior written authorization from GLCC.

PART NUMBER: ENSAB19X100
QTY PER UNIT: 1
MATERIAL TYPE:
MATERIAL GAUGE:
FINISH:
DRAWN CD DATE 2/3/2011
CHECKED & APP. WSS DATE 12/14/10

TITLE 19 RMU EN INTAKE / EXHAUST BAFFLE KIT FOR 6513-E CISCO SWITCH
GREAT LAKES CASE & CABINET CO., INC. P.O. BOX 551 EDINBORO, PA 16412 PHONE (814) 734-7303 FAX (814) 734-3907 E-MAIL glcc@greatcabinets.com
DWG NO: 1013120
REV 0
SHEET: 2 OF 2

