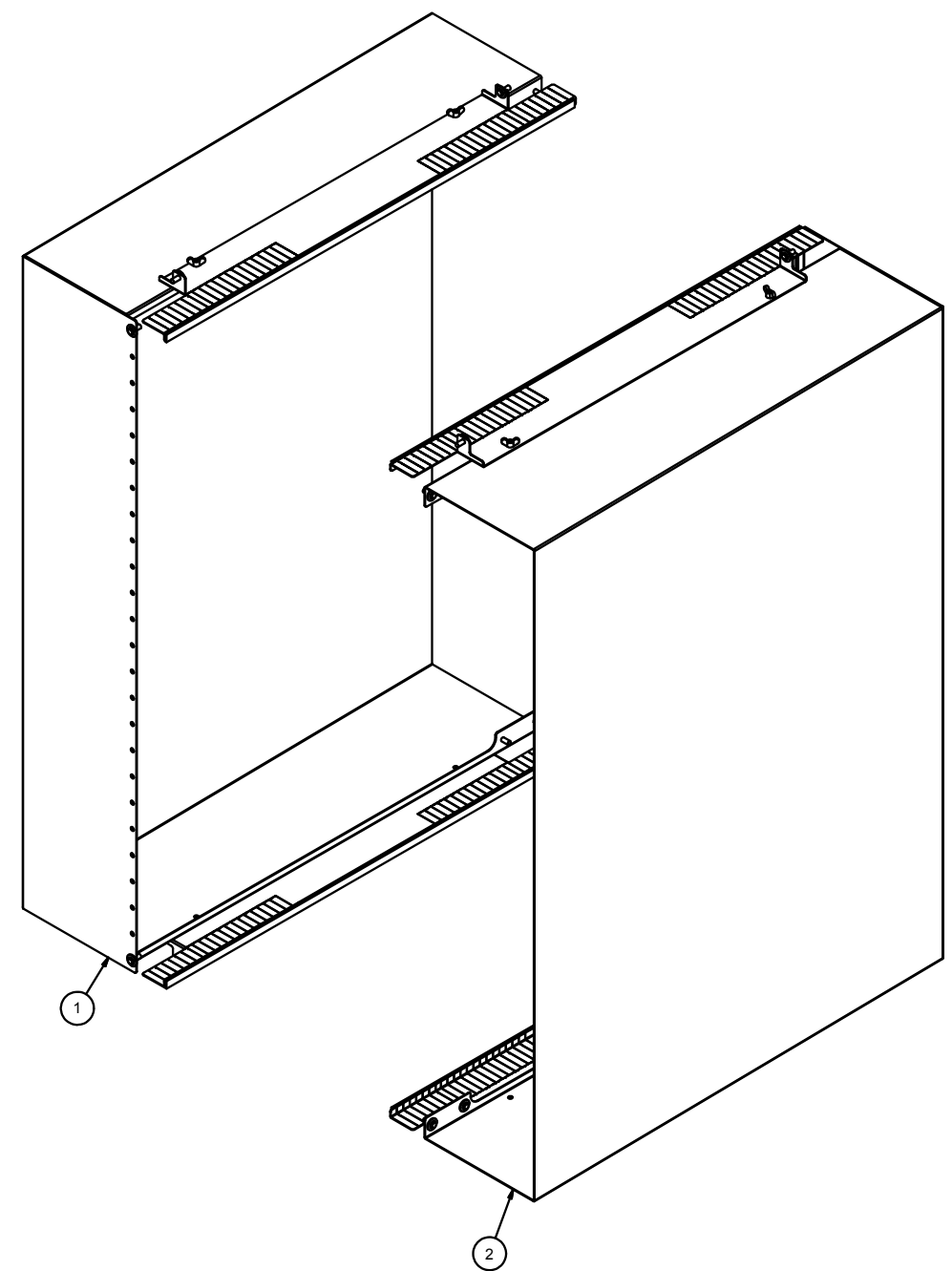
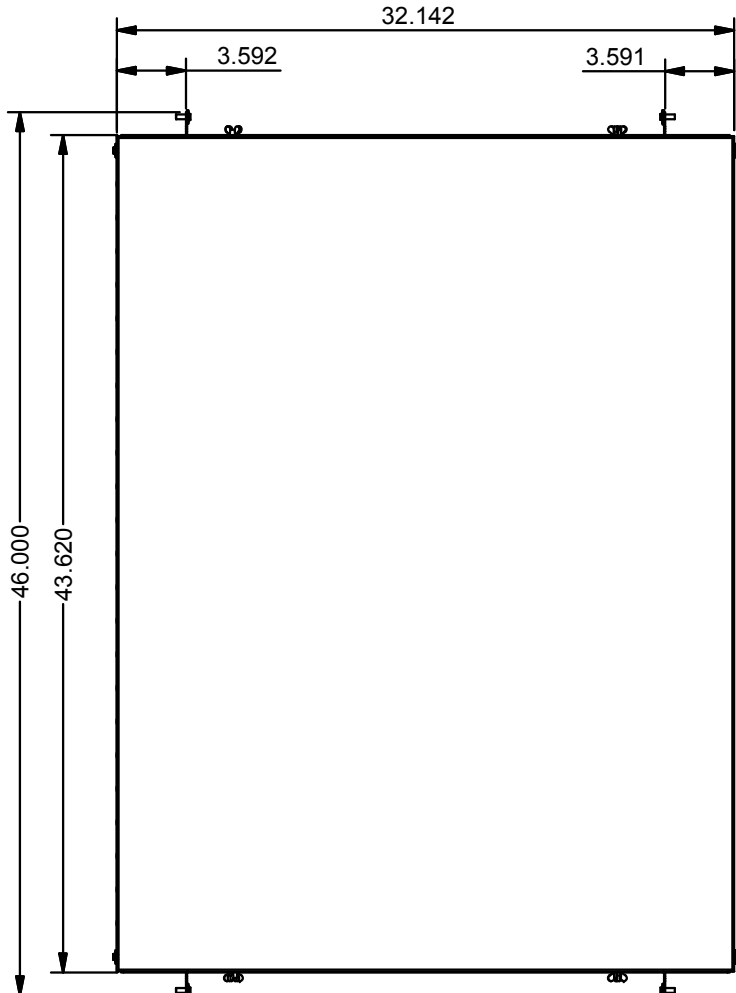
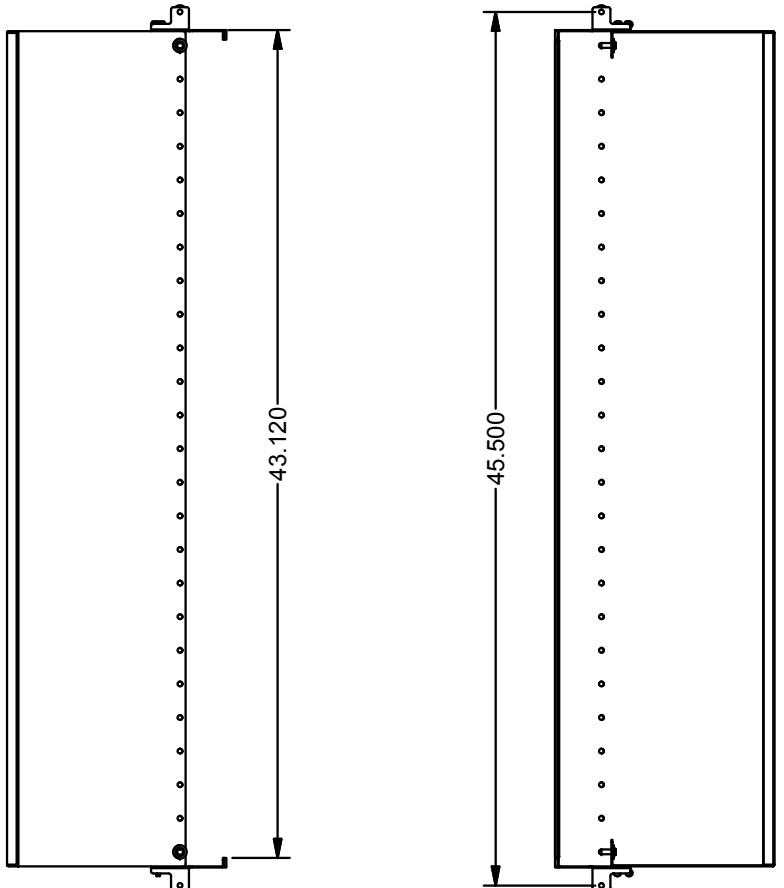
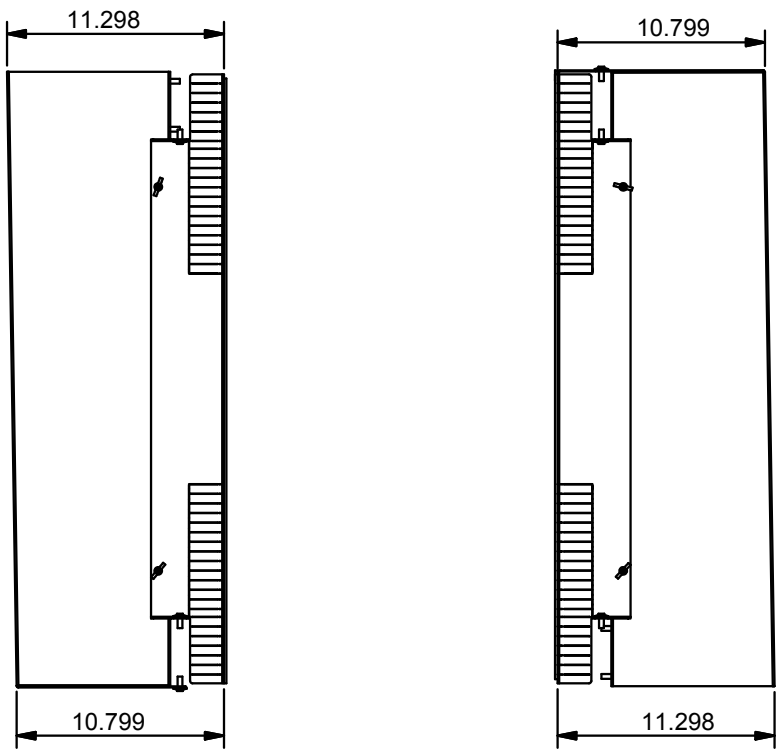


REVISION HISTORY			
REV	DESCRIPTION	DATE	APPROVED
0	ECO-93074	12/14/10	CD

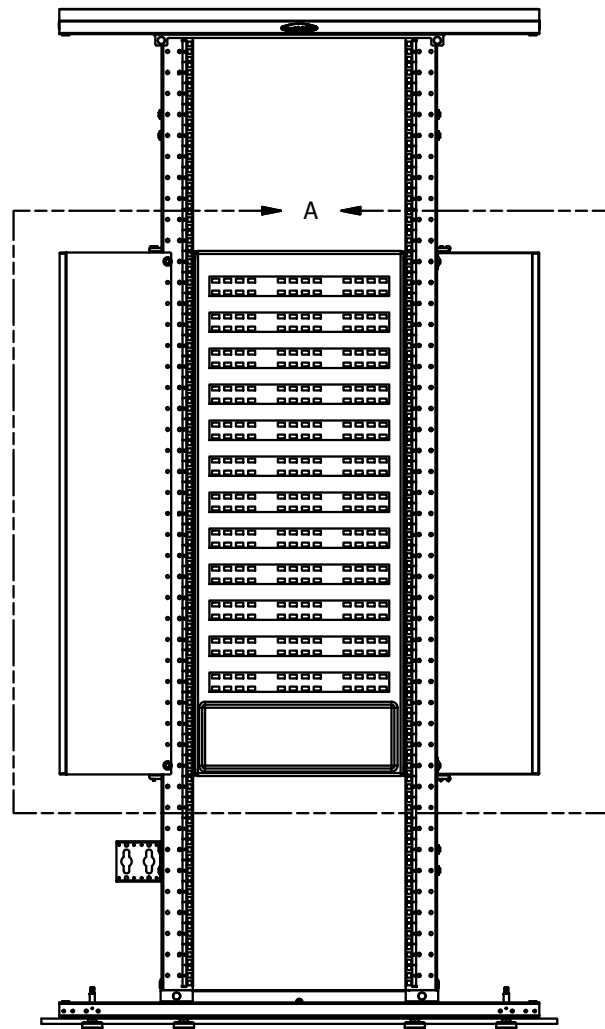
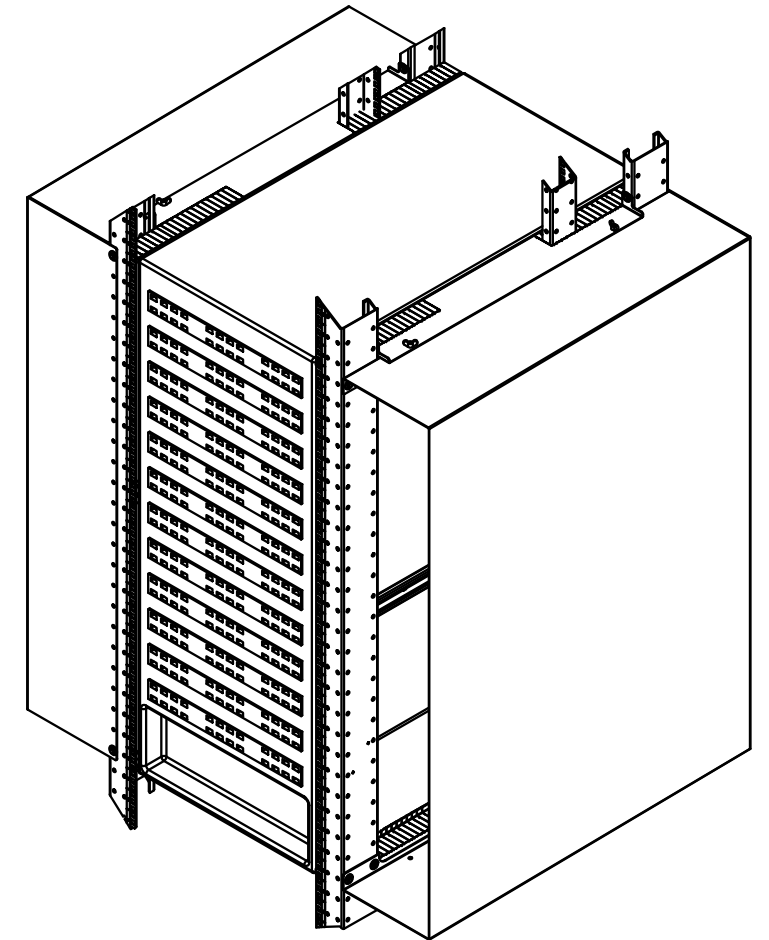
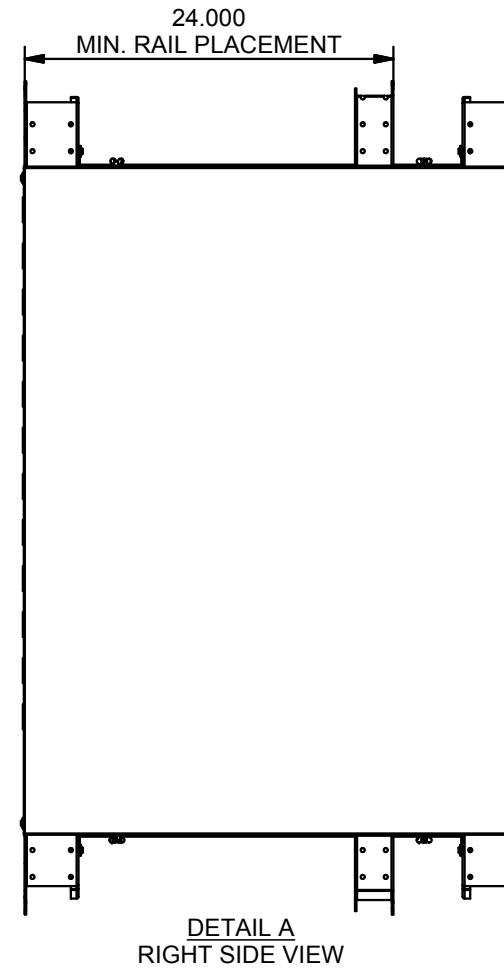
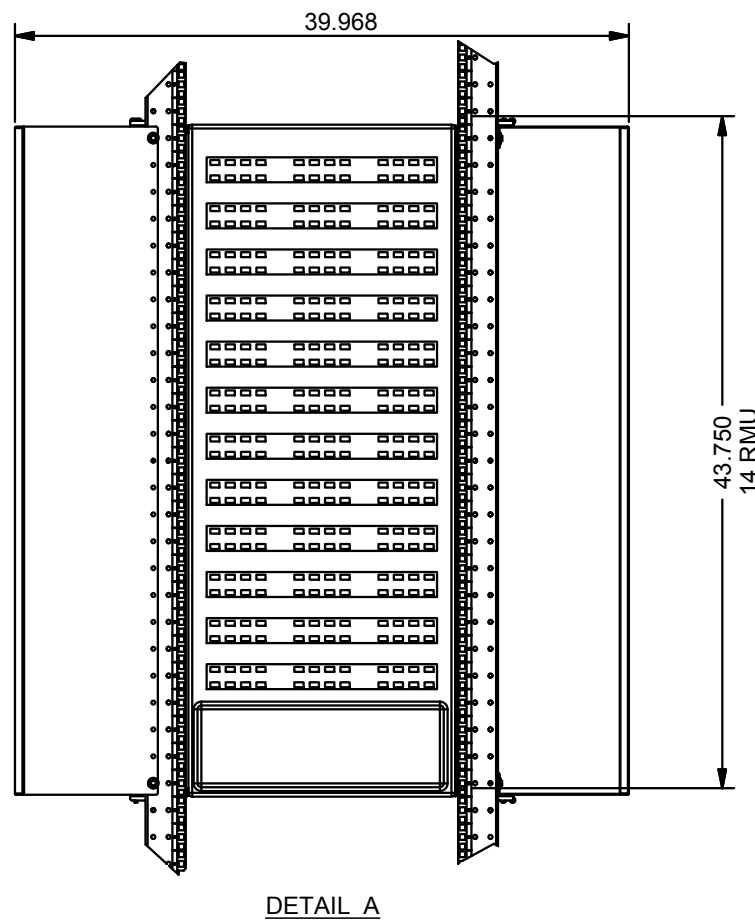
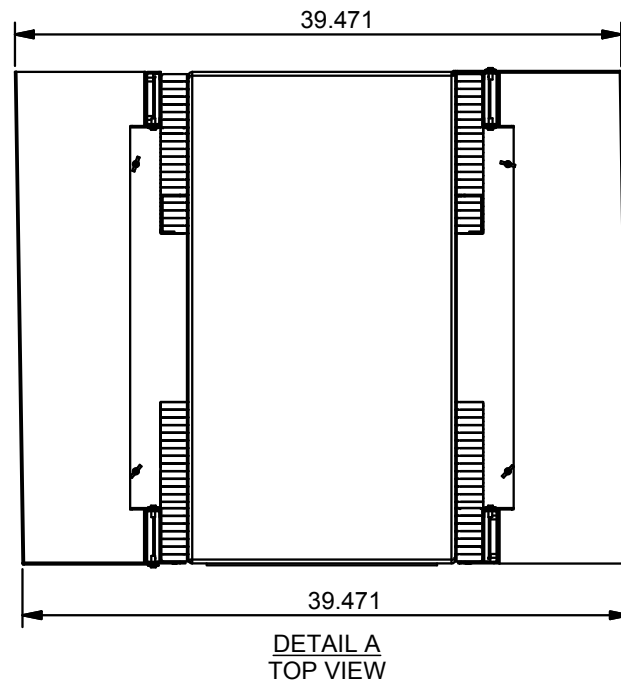
Bill of Material						
ITEM	PART NUMBER	STOCK NUMBER	QTY	DESCRIPTION	FILE NAME	REVISION
1			1	EN EXHAUST BAFFLE FOR 7018 CISCO SWITCH	I013310.iam	0
2			1	EN INTAKE BAFFLE FOR 7018 CISCO SWITCH	I013127.iam	0



**NOTES:**  
 1. PACKAGE TOGETHER AS KIT  
 2. SEE SHEET 2 FOR INSTALLATION INSTRUCTIONS

INTERPRET DRAWING PER ASME Y14.5M-1994 DIMENSIONAL LIMITS APPLY AFTER APPLICATION OF FINISH DRAWING NOT TO SCALE TOLERANCE UNLESS OTHERWISE NOTED: ANGULAR +/- .1" .XXXX +/- .010 .XXX +/- .015 .XX +/- .030 X FOR REF. ONLY	<b>NOTICE:</b> Use of this document is subject to a confidentiality and nondisclosure agreement with Great Lakes Case & Cabinet Co., Inc. (GLCC) and may not be reproduced, disclosed or utilized in whole or in part without prior written authorization from GLCC.	PART NUMBER: <b>ENSAB25X100</b>	TITLE <b>25 RMU EN INTAKE / EXHAUST BAFFLE KIT FOR 7018 CISCO SWITCH</b>
		QTY PER UNIT: 1	GREAT LAKES CASE & CABINET CO., INC. P.O. BOX 551 EDINBORO, PA 16412 PHONE (814) 734-7303 FAX (814) 734-3907 E-MAIL glcc@greatcabinets.com
		MATERIAL TYPE: -	
		MATERIAL GAUGE: -	
FINISH: -	DRAWN CD	DATE 2/2/2011	DWG NO: <b>I013126</b>
CHECKED & APP. WSS	DATE 2/1/11	REV <b>0</b>	SHEET: 1 OF 2





ENCLOSURE AND SWITCH SHOWN FOR REFERENCE ONLY

INTERPRET DRAWING PER ASME Y14.5M-1994  
DIMENSIONAL LIMITS APPLY  
AFTER APPLICATION OF FINISH  
DRAWING NOT TO SCALE  
TOLERANCE UNLESS OTHERWISE NOTED:  
ANGULAR +/- .1°  
.XXXX +/- .010  
.XXX +/- .015  
.XX +/- .030  
.X FOR REF. ONLY

**NOTICE:**

Use of this document is subject to a confidentiality and nondisclosure agreement with Great Lakes Case & Cabinet Co., Inc. (GLCC) and may not be reproduced, disclosed or utilized in whole or in part without prior written authorization from GLCC.

PART NUMBER:  
**ENSAB25X100**  
QTY PER UNIT: 1  
MATERIAL TYPE:  
MATERIAL GAUGE:  
FINISH:  
DRAWN CD DATE 2/2/2011  
CHECKED & APP. WSS DATE 2/1/11

TITLE  
**25 RMU EN INTAKE / EXHAUST BAFFLE KIT FOR 7018 CISCO SWITCH**  
GREAT LAKES CASE & CABINET CO., INC.  
P.O. BOX 551 EDINBORO, PA 16412  
PHONE (814) 734-7303 FAX (814) 734-3907  
E-MAIL glcc@greatcabinets.com



UNLESS OTHERWISE SPECIFIED ALL DIMENSIONS ARE IN INCHES

DWG NO: 1013126  
REV: 0  
SHEET: 2 OF 2