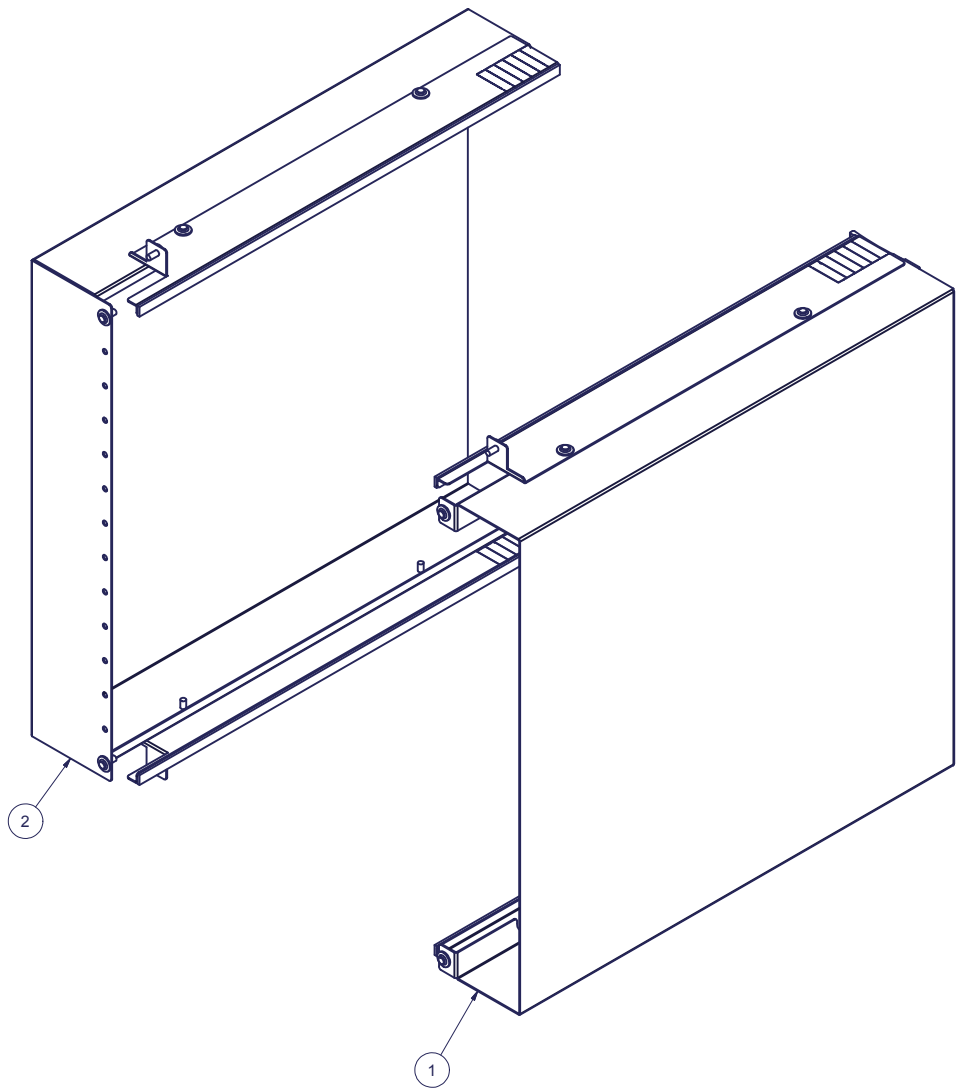
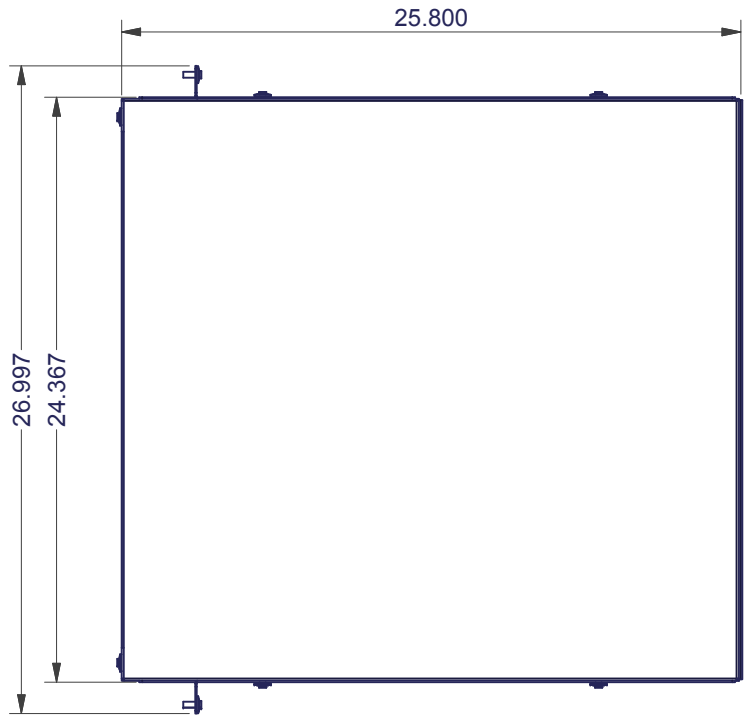
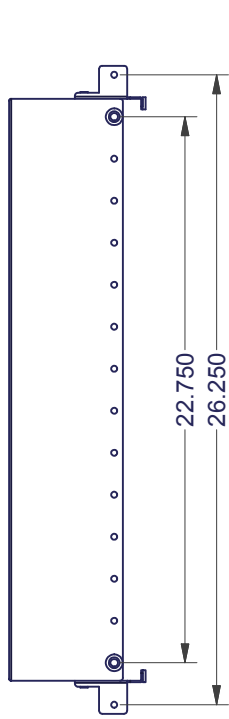
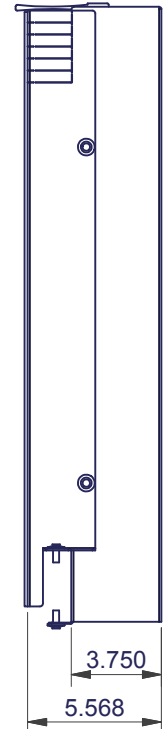
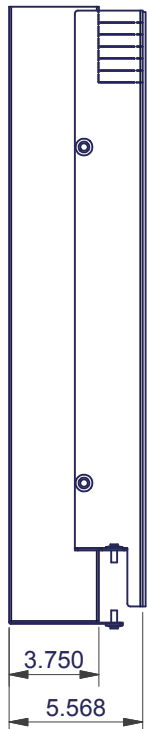


REVISION HISTORY			
REV	DESCRIPTION	DATE	APPROVED
0	ECO-03336	9/1/11	CD
1	ECO-03420	11/30/11	CD

Bill of Material						
ITEM	PART NUMBER	STOCK NUMBER	QTY	DESCRIPTION	FILE NAME	REVISION
1			1	14 RMU DEEP ES INTAKE BAFFLE FOR 9513 CISCO SWITCH	I014808.iam	1
2			1	14 RMU DEEP ES EXHAUST BAFFLE FOR 9513 CISCO SWITCH	I014812.iam	1
3	AVERY LABEL 5690		1	PART # ID LABEL AVERY 1" x 2.625"		



- NOTES:**
1. REFERENCE PURCHASE ORDER, SPECIAL INSTRUCTIONS MAY APPLY
 2. GLM DO NOT ASSEMBLE UNLESS OTHERWISE SPECIFIED
 3. CREATE HARDWARE PACK OF PLASTIC RIVETS
 4. INCLUDE A COPY OF THIS PRINT AS INSTRUCTIONS WITH EACH KIT
 5. BAG OR WRAP BAFFLES AND COVER AND PACKAGE TOGETHER WITH HARDWARE PACK AND INSTRUCTIONS
 6. LABEL PART NUMBER ON OUTSIDE OF WRAPPING : *AVERY LABEL 5690*



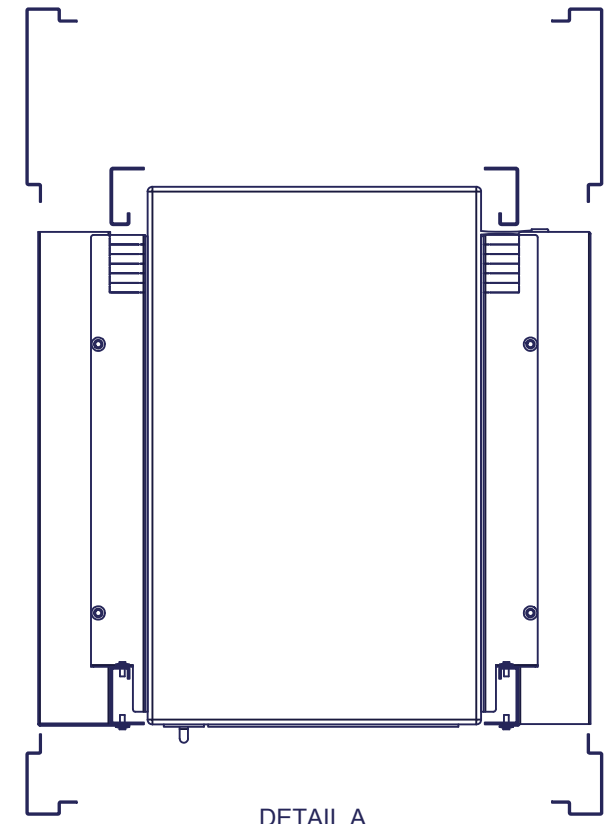
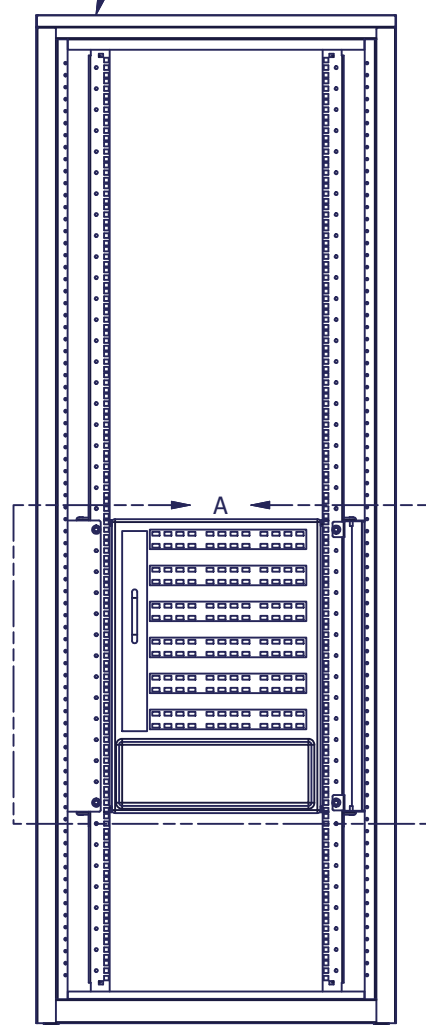
INTERPRET DRAWING PER ASME Y14.5M-1994
 DIMENSIONAL LIMITS APPLY AFTER APPLICATION OF FINISH
 DRAWING NOT TO SCALE
 TOLERANCE UNLESS OTHERWISE NOTED:
 ANGULAR +/- 1°
 .XXXX +/- .010
 .XXX +/- .015
 .XX +/- .030
 X FOR REF. ONLY
 UNLESS OTHERWISE SPECIFIED ALL DIMENSIONS ARE IN INCHES

NOTICE:
 Use of this document is subject to a confidentiality and nondisclosure agreement with Great Lakes Case & Cabinet Co., Inc. (GLCC) and may not be reproduced, disclosed or utilized in whole or in part without prior written authorization from GLCC.

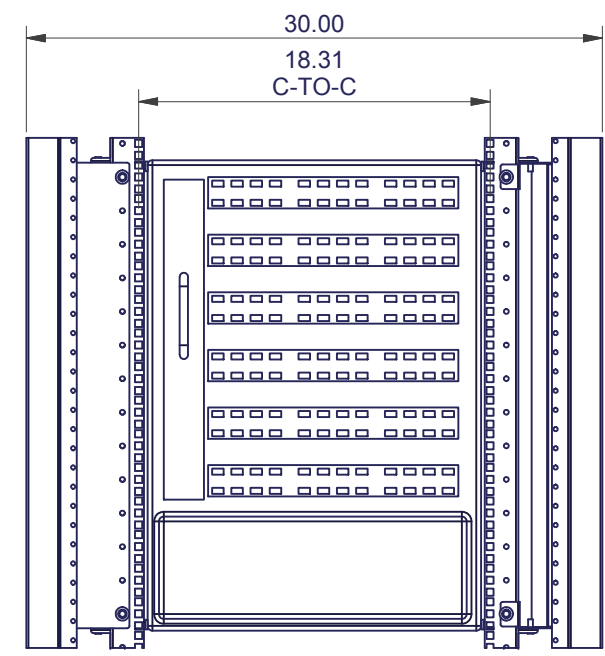
PART NUMBER: **ESSAB14DX100**
 QTY PER UNIT: 1
 MATERIAL TYPE:
 MATERIAL GAUGE:
 FINISH:

TITLE: **14 RMU DEEP ES INTAKE / EXHAUST BAFFLE KIT FOR 9513 CISCO SWITCH**
GREAT LAKES CASE & CABINET CO., INC.
 P.O. BOX 551 EDINBORO, PA 16412
 PHONE (814) 734-7303 FAX (814) 734-3907
 E-MAIL glcc@greatcabinets.com
 DWG NO: **I014807**
 REV: **1**
 SHEET: 1 OF 3

SPECIFIC FOR : 30"W ES ENCLOSURES ONLY (REFERENCE ONLY)

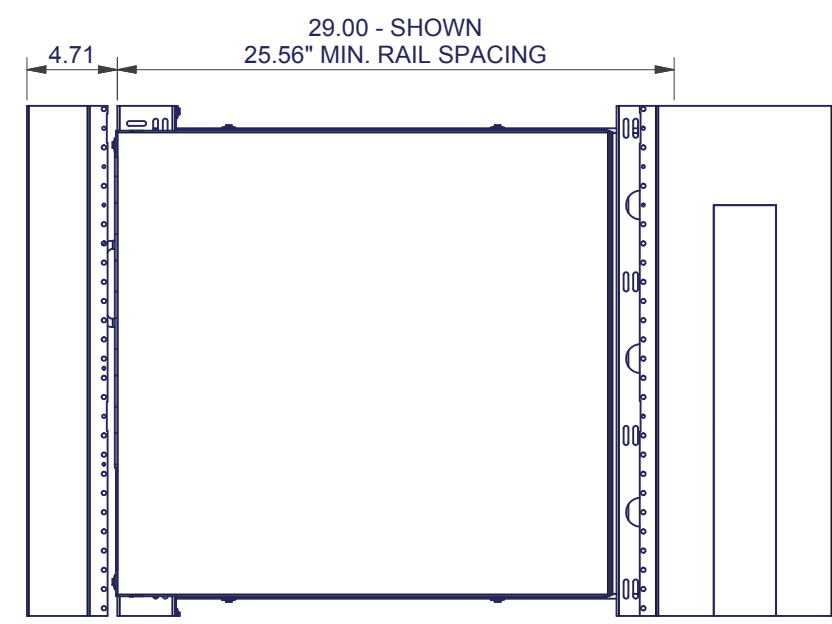


DETAIL A TOP VIEW

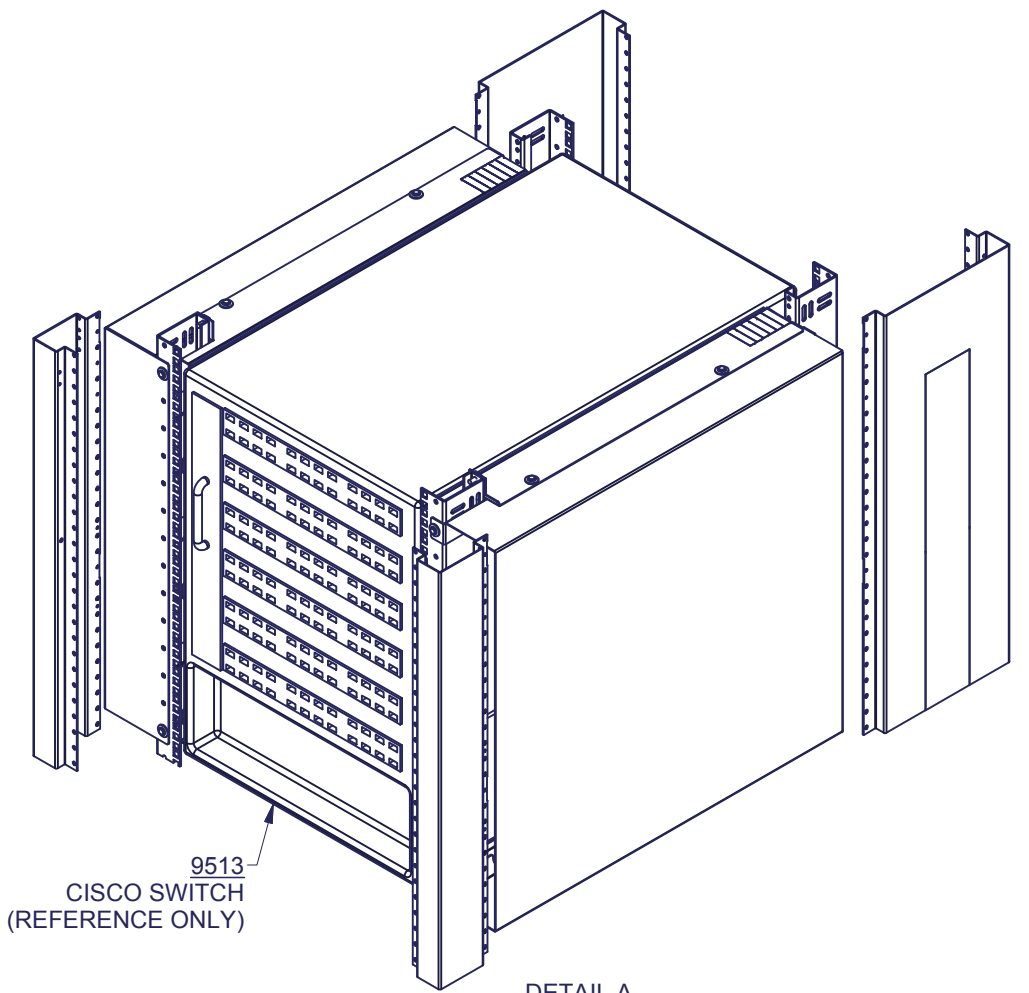


DETAIL A

ENCLOSURE AND SWITCH SHOWN FOR REFERENCE ONLY



DETAIL A RIGHT SIDE VIEW SIDE PANELS NOT SHOWN



9513 CISCO SWITCH (REFERENCE ONLY)

DETAIL A ISO VIEW RIGHT SIDE PANEL NOT SHOWN

INTERPRET DRAWING PER ASME Y14.5M-1994
DIMENSIONAL LIMITS APPLY AFTER APPLICATION OF FINISH
DRAWING NOT TO SCALE
TOLERANCE UNLESS OTHERWISE NOTED:
ANGULAR +/- .1°
.XXXX +/- .010
.XXX +/- .015
.XX +/- .030
.X FOR REF. ONLY
UNLESS OTHERWISE SPECIFIED ALL DIMENSIONS ARE IN INCHES

NOTICE:
Use of this document is subject to a confidentiality and nondisclosure agreement with Great Lakes Case & Cabinet Co., Inc. (GLCC) and may not be reproduced, disclosed or utilized in whole or in part without prior written authorization from GLCC.

PART NUMBER:	ESSAB14DX100
QTY PER UNIT:	1
MATERIAL TYPE:	-
MATERIAL GAUGE:	-
FINISH:	-
DRAWN CD	DATE 9/1/2011
CHECKED & APP. WSS	DATE 10/13/10

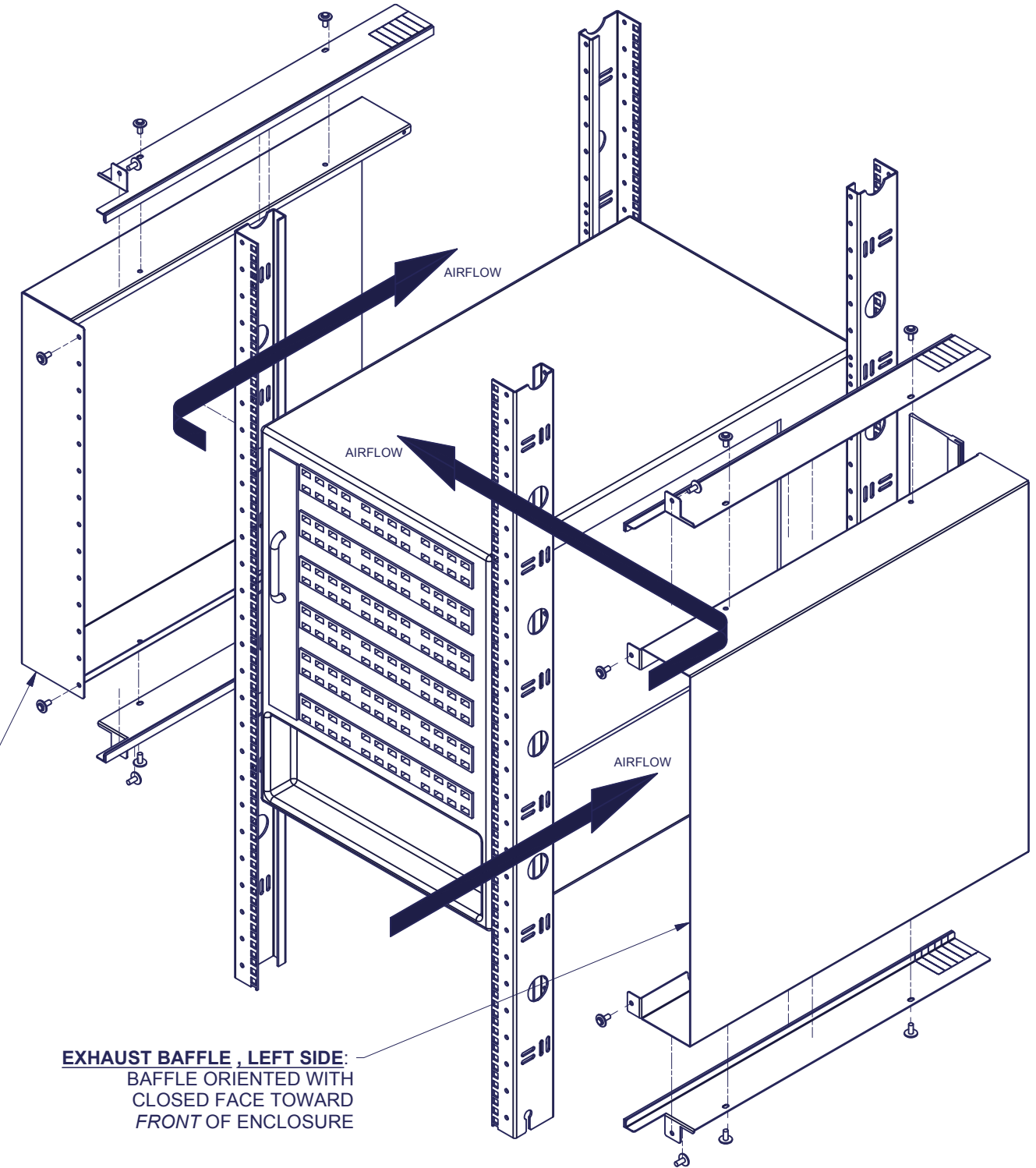
TITLE	14 RMU DEEP ES INTAKE / EXHAUST BAFFLE KIT FOR 9513 CISCO SWITCH	
	GREAT LAKES CASE & CABINET CO., INC. P.O. BOX 551 EDINBORO, PA 16412 PHONE (814) 734-7303 FAX (814) 734-3907 E-MAIL glcc@greatcabinets.com	
DWG NO:	1014807	REV 1
		SHEET: 2 OF 3



THIRD ANGLE PROJECTION

BAFFLE INSTALLATION INSTRUCTIONS:

1. INSTALL BOTH INTAKE AND EXHAUST SIDES OF BAFFLE ON FRONT POSTS OF ENCLOSURE
 2. BOTH BAFFLES MUST BE ALIGNED VERTICALLY AT THE SAME RU PLACEMENT OF EQUIPMENT
 - THE **LEFT** SIDE BAFFLE IS THE **EXHAUST** SIDE (CLOSED FACE TOWARD THE FRONT OF ENCLOSURE)
 - THE **RIGHT** SIDE BAFFLE IS THE **INTAKE** SIDE (CLOSED FACE TOWARD THE REAR OF ENCLOSURE)
 3. EXHAUST BAFFLE (LEFT SIDE):
 - A. SLIDE EXHAUST BAFFLE ASSEMBLY INTO ENCLOSURE AT DESIRED RU TO THE LEFT OF YOUR SWITCH
 - B. USE QTY. 2 PLASTIC RIVETS TO ATTACH THE **CLOSED** FACE OF THE BAFFLE TO THE **FRONT, OUTSIDE** OF THE FRONT VERTICAL POST
 4. INTAKE BAFFLE (RIGHT SIDE):
 - A. PRIOR TO INSTALLING INTO RACK INSTALL BRUSH ONTO REAR FLANGE OF INTAKE SIDE
 - B. SLIDE INTAKE BAFFLE ASSEMBLY INTO ENCLOSURE AT DESIRED RU TO THE RIGHT OF YOUR SWITCH
 - C. USE QTY. 2 PLASTIC RIVETS TO ATTACH THE **OPEN** SIDE OF BAFFLE TO THE **FRONT AND SIDE** OF THE FRONT VERTICAL POST
 - D. AFTER BAFFLE IS SECURED IN CORRECT LOCATON, REACH INTO INTAKE OF BAFFLE FROM FRONT AND SLIDE ADJUSTABLE REAR COVER TO BACK ACCOMDATE FOR THE DEPTH OF YOUR SPECIFIC SWITCH
 - E. TIGHTEN BOTH WING NUTS TO SECURE ADJUSTABLE REAR COVER
 5. INSTALL TOP /BOTTOM COVERS ON BOTH SIDES:
 - A. ALIGN TOP/BOTTOM COVER SECTION BEHIND FRONT POSTS AND USE 3 PLASTIC RIVETS TO ATTACH
 - INSTALL QTY. 1 PLASTIC RIVET INTO REAR(INSIDE) FACE OF THE FRONT RAIL
 - INSTALL QTY. 2 PLASTIC RIVETS INTO TOP/BOTTOM FACE OF BAFFLE PER SECTION
 - B. WHEN INSTALLING, NOTE REMOVEABLE NOTCHES REAR OF COVERS. COVERS MAY NEED TO BE NOTCHED TO ACCOMODATE FOR YOUR SPECIFIC REAR RAIL PLACEMENT
 - C. REPEAT STEP A IN ON THE TOP AND BOTTOM, FOR BOTH INTAKE AND EXHAUST BAFFLES
- ** NOTE: IF DESIRED RU IS WITHIN THE BOTTOM 3 RU OF THE ENCLOSURE, BOTTOM COVERS MAY NEED TO BE RESTING IN LOCATION PRIOR TO MAIN INTAKE/ EXHAUST BAFFLE BEING INSTALLED



EXHAUST BAFFLE , LEFT SIDE:
BAFFLE ORIENTED WITH
CLOSED FACE TOWARD
FRONT OF ENCLOSURE

EXHAUST BAFFLE , LEFT SIDE:
BAFFLE ORIENTED WITH
CLOSED FACE TOWARD
FRONT OF ENCLOSURE

RAILS AND SWITCH SHOWN FOR REFERENCE ONLY

INTERPRET DRAWING PER ASME Y14.5M-1994 DIMENSIONAL LIMITS APPLY AFTER APPLICATION OF FINISH DRAWING NOT TO SCALE TOLERANCE UNLESS OTHERWISE NOTED: ANGULAR +/- .1" .XXXX +/- .010 .XXX +/- .015 .XX +/- .030 X FOR REF. ONLY	NOTICE:		PART NUMBER: ESSAB14DX100	TITLE 14 RMU DEEP ES INTAKE / EXHAUST BAFFLE KIT FOR 9513 CISCO SWITCH
	Use of this document is subject to a confidentiality and nondisclosure agreement with Great Lakes Case & Cabinet Co., Inc. (GLCC) and may not be reproduced, disclosed or utilized in whole or in part without prior written authorization from GLCC.		QTY PER UNIT: 1	GREAT LAKES CASE & CABINET CO., INC. P.O. BOX 551 EDINBORO, PA 16412 PHONE (814) 734-7303 FAX (814) 734-3907 E-MAIL glcc@greatcabinets.com
			MATERIAL TYPE:	
			MATERIAL GAUGE:	
		FINISH:	DRAWN CD CHECKED & APP. WSS DATE 9/1/2011 DATE 9/1/11	DWG NO: 1014807
		REV 1	SHEET: 3 OF 3	

