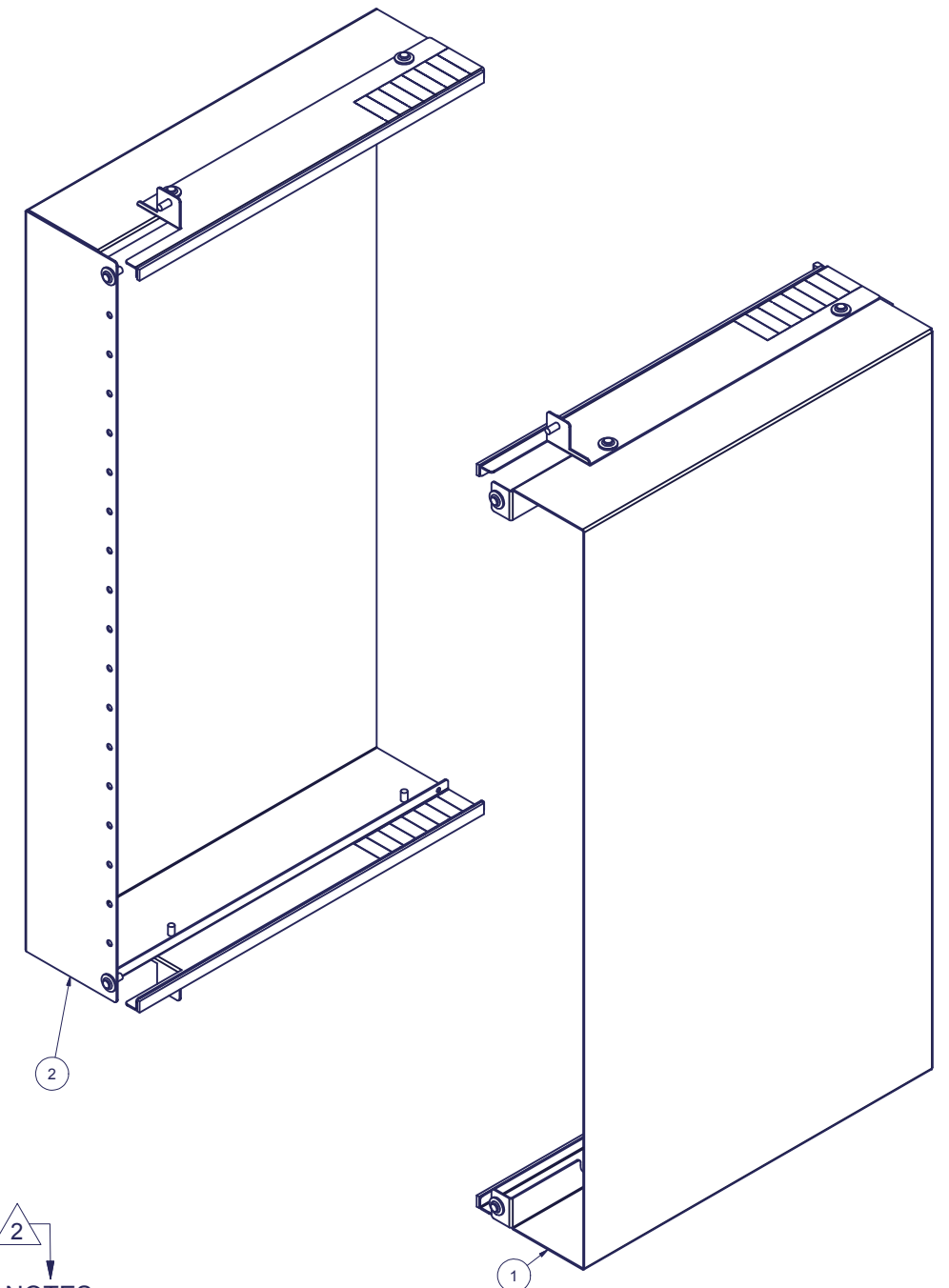
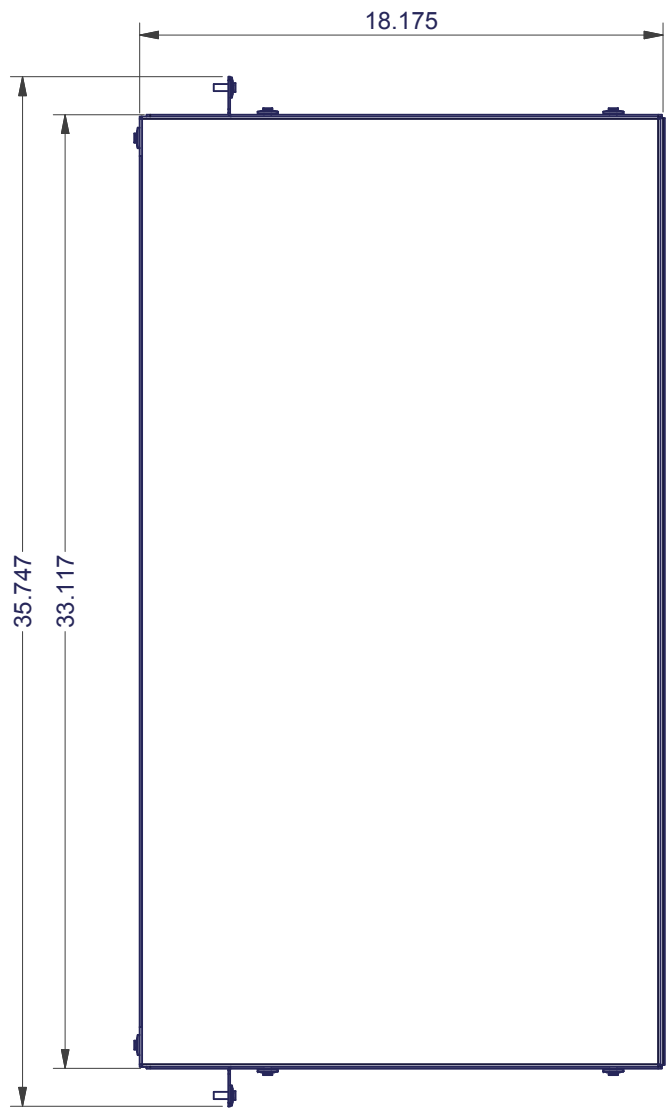
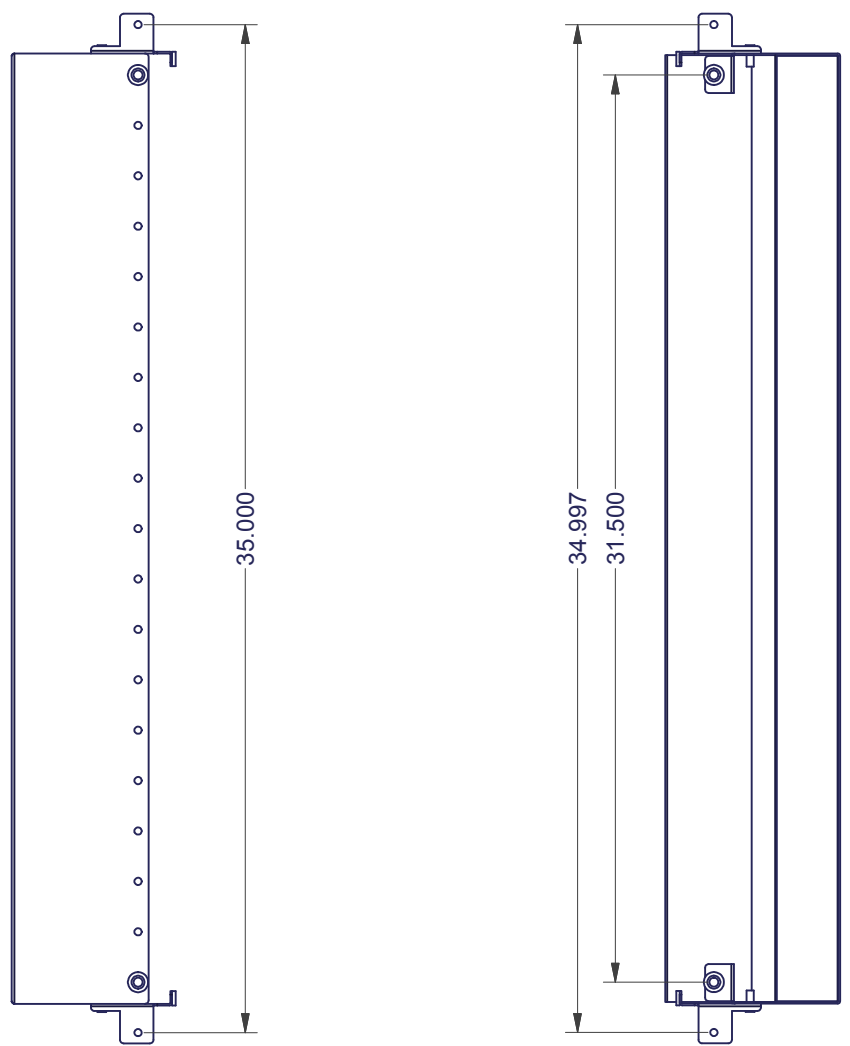
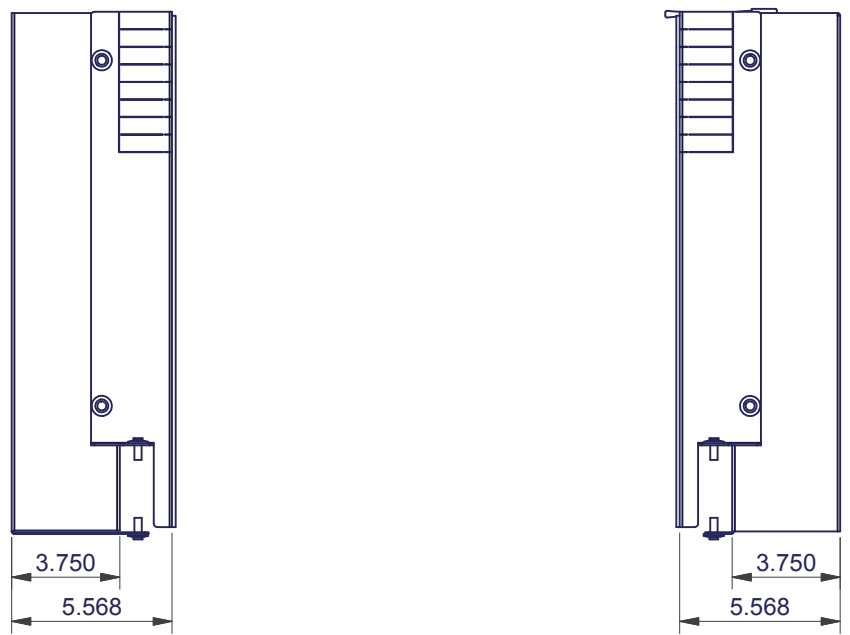


REVISION HISTORY			
REV	DESCRIPTION	DATE	APPROVED
0	ECO-03021	10/13/10	CD
1	ECO-03144	2/21/11	CD
2	ECO-03420	11/30/11	CD

Bill of Material						
ITEM	PART NUMBER	STOCK NUMBER	QTY	DESCRIPTION	FILE NAME	REVISION
1			1	19 RU ES INTAKE BAFFLE FOR 6513-E CISCO SWITCH	I012790.iam	2
2			1	19 RU ES EXHAUST BAFFLE FOR 6513-E CISCO SWITCH	I012795.iam	2
3	EVERY LABEL 5690		1	PART # ID LABEL AVERY 1" x 2.625"		



- NOTES:**
1. REFERENCE PURCHASE ORDER, SPECIAL INSTRUCTIONS MAY APPLY
  2. GLM DO NOT ASSEMBLE UNLESS OTHERWISE SPECIFIED
  3. CREATE HARDWARE PACK OF PLASTIC RIVETS
  4. INCLUDE A COPY OF THIS PRINT AS INSTRUCTIONS WITH EACH KIT
  5. BAG OR WRAP BAFFLES AND COVER AND PACKAGE TOGETHER WITH HARDWARE PACK AND INSTRUCTIONS
  6. LABEL PART NUMBER ON OUTSIDE OF WRAPPING : *AVERY LABEL 5690*

INTERPRET DRAWING PER ASME Y14.5M-1994	<b>NOTICE:</b> Use of this document is subject to a confidentiality and nondisclosure agreement with Great Lakes Case & Cabinet Co., Inc. (GLCC) and may not be reproduced, disclosed or utilized in whole or in part without prior written authorization from GLCC.	PART NUMBER: <b>ESSAB19X100</b>	TITLE <b>19 RMU ES INTAKE &amp; EXHAUST BAFFLE FOR 6513-E CISCO SWITCH</b>
DIMENSIONAL LIMITS APPLY AFTER APPLICATION OF FINISH		QTY PER UNIT: 1	GREAT LAKES CASE & CABINET CO., INC. P.O. BOX 551 EDINBORO, PA 16412 PHONE (814) 734-7303 FAX (814) 734-3907 E-MAIL glcc@greatcabinets.com
DRAWING NOT TO SCALE		MATERIAL TYPE:	
TOLERANCE UNLESS OTHERWISE NOTED: ANGULAR +/- .1° .XXXX +/- .010 .XXX +/- .015 .XX +/- .030 .X FOR REF. ONLY		MATERIAL GAUGE:	
		FINISH:	
		DRAWN DATE CD 10/13/2010	DWG NO: <b>1012789</b>
		CHECKED & APP. DATE WSS 10/13/10	REV <b>2</b>
			SHEET: 1 OF 3



THIRD ANGLE PROJECTION

UNLESS OTHERWISE SPECIFIED ALL DIMENSIONS ARE IN INCHES

8 7 6 5 4 3 2 1

D

C

B

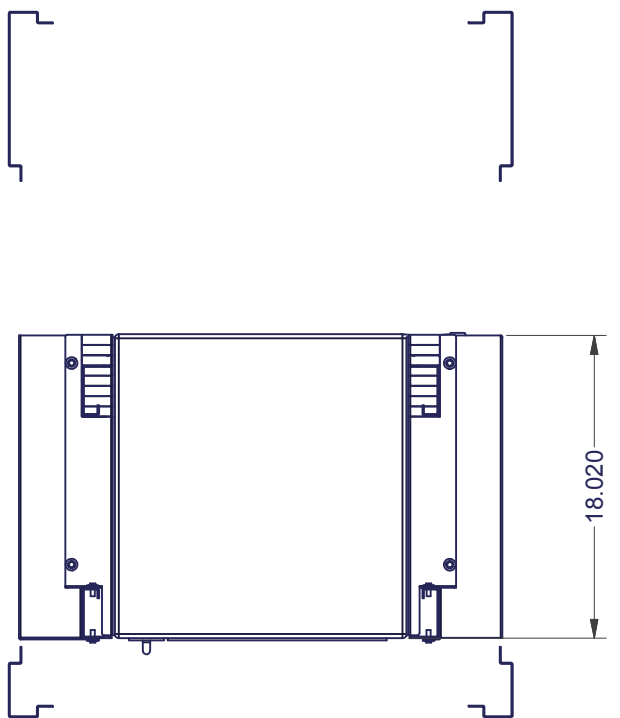
A

D

C

B

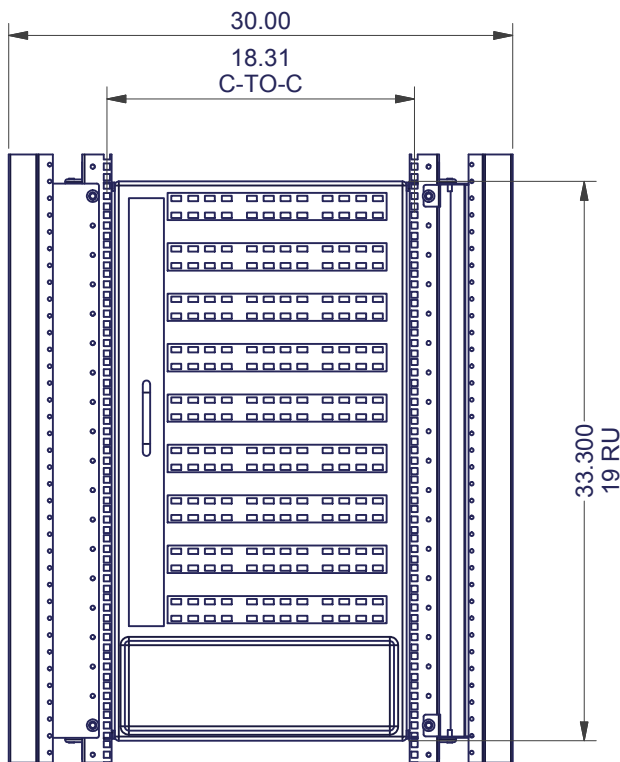
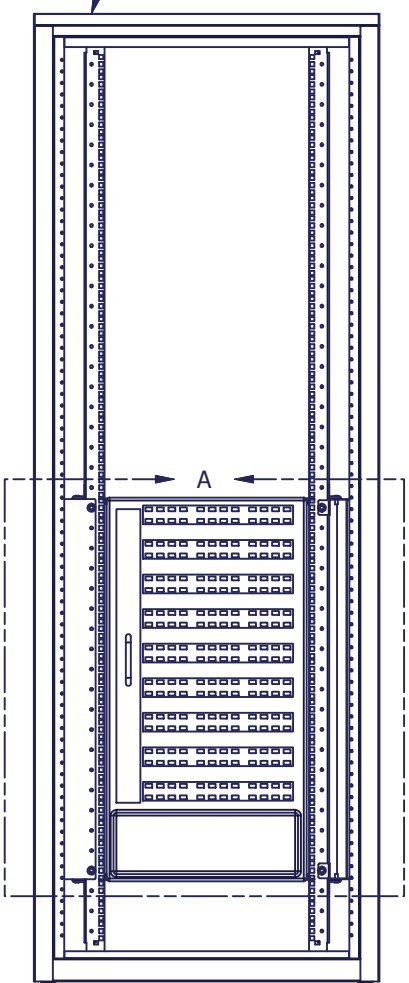
A



DETAIL A  
TOP VIEW

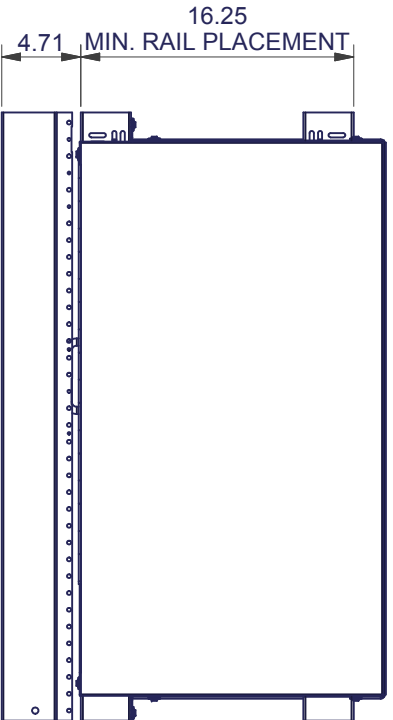
18.020

SPECIFIC FOR : 30"W ES ENCLOSURES ONLY (REFERENCE ONLY)

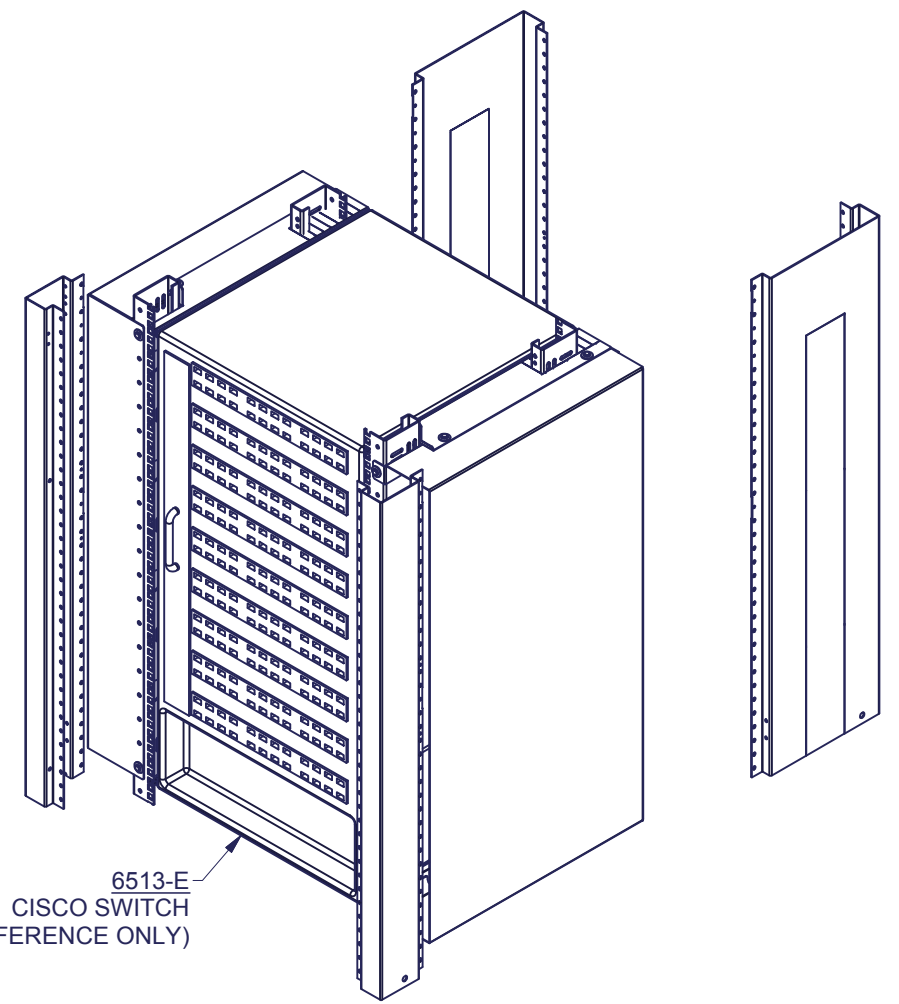


DETAIL A

ENCLOSURE AND SWITCH SHOWN FOR REFERENCE ONLY



DETAIL A  
RIGHT SIDE VIEW  
SIDE PANELS NOT SHOWN



DETAIL A  
ISO VIEW  
RIGHT SIDE PANEL NOT SHOWN

6513-E  
CISCO SWITCH  
(REFERENCE ONLY)

INTERPRET DRAWING PER ASME Y14.5M-1994  
DIMENSIONAL LIMITS APPLY  
AFTER APPLICATION OF FINISH  
DRAWING NOT TO SCALE  
TOLERANCE UNLESS OTHERWISE NOTED:  
ANGULAR +/- .1"  
.XXXX +/- .010  
.XXX +/- .015  
.XX +/- .030  
.X FOR REF. ONLY

**NOTICE:**  
Use of this document is subject to a confidentiality and nondisclosure agreement with Great Lakes Case & Cabinet Co., Inc. (GLCC) and may not be reproduced, disclosed or utilized in whole or in part without prior written authorization from GLCC.

PART NUMBER:  
**ESSAB19X100**  
QTY PER UNIT: 1  
MATERIAL TYPE:  
MATERIAL GAUGE:  
FINISH:  
DRAWN CD DATE 10/13/2010  
CHECKED & APP. WSS DATE 10/13/10

TITLE  
**19 RMU ES INTAKE & EXHAUST BAFFLE FOR 6513-E CISCO SWITCH**  
GREAT LAKES CASE & CABINET CO., INC.  
P.O. BOX 551 EDINBORO, PA 16412  
PHONE (814) 734-7303 FAX (814) 734-3907  
E-MAIL glcc@greatcabinets.com

DWG NO: **1012789** REV: **2** SHEET: 2 OF 3



THIRD ANGLE PROJECTION

UNLESS OTHERWISE SPECIFIED ALL DIMENSIONS ARE IN INCHES

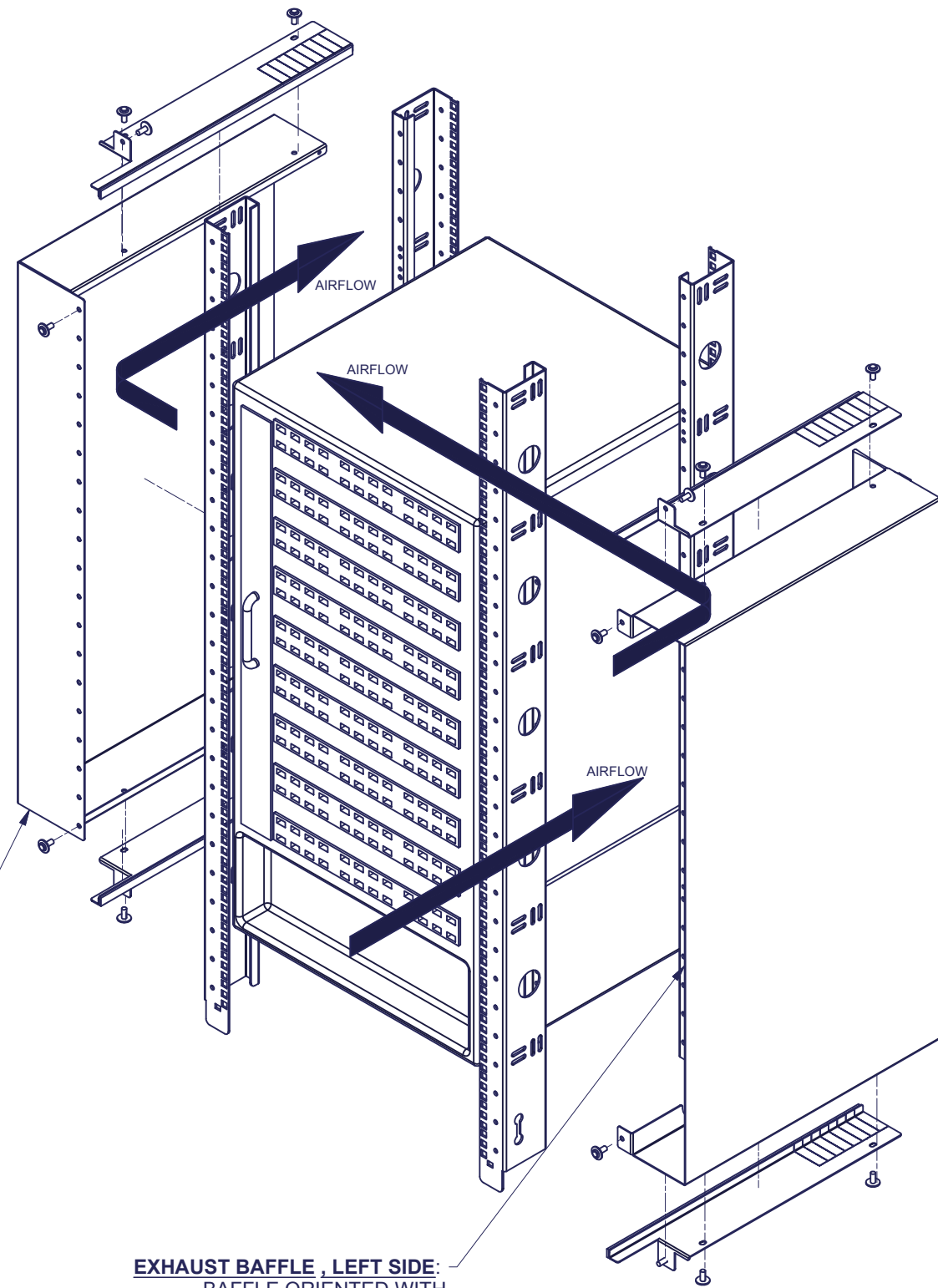
8 7 6 5 4 3 2 1

## BAFFLE INSTALLATION INSTRUCTIONS:

1. INSTALL BOTH INTAKE AND EXHAUST SIDES OF BAFFLE ON FRONT POSTS OF ENCLOSURE
  2. BOTH BAFFLES MUST BE ALIGNED VERTICALLY AT THE SAME RU PLACEMENT OF EQUIPMENT
    - THE **LEFT** SIDE BAFFLE IS THE **EXHAUST** SIDE (CLOSED FACE TOWARD THE FRONT OF ENCLOSURE)
    - THE **RIGHT** SIDE BAFFLE IS THE **INTAKE** SIDE (CLOSED FACE TOWARD THE REAR OF ENCLOSURE)
  3. **EXHAUST BAFFLE (LEFT SIDE):**
    - A. SLIDE EXHAUST BAFFLE ASSEMBLY INTO ENCLOSURE AT DESIRED RU TO THE LEFT OF YOUR SWITCH
    - B. USE QTY. 2 PLASTIC RIVETS TO ATTACH THE **CLOSED** FACE OF THE BAFFLE TO THE **FRONT, OUTSIDE** OF THE FRONT VERTICAL POST
  4. **INTAKE BAFFLE (RIGHT SIDE):**
    - A. PRIOR TO INSTALLING INTO RACK INSTALL BRUSH ONTO REAR FLANGE OF INTAKE SIDE
    - B. SLIDE INTAKE BAFFLE ASSEMBLY INTO ENCLOSURE AT DESIRED RU TO THE RIGHT OF YOUR SWITCH
    - C. USE QTY. 2 PLASTIC RIVETS TO ATTACH THE **OPEN** SIDE OF BAFFLE TO THE **FRONT AND SIDE** OF THE FRONT VERTICAL POST
    - D. AFTER BAFFLE IS SECURED IN CORRECT LOCATON, REACH INTO INTAKE OF BAFFLE FROM FRONT AND SLIDE ADJUSTABLE REAR COVER TO BACK ACCOMDATE FOR THE DEPTH OF YOUR SPECIFIC SWITCH
    - E. TIGHTEN BOTH WING NUTS TO SECURE ADJUSTABLE REAR COVER
  5. **INSTALL TOP /BOTTOM COVERS ON BOTH SIDES:**
    - A. ALIGN TOP/BOTTOM COVER SECTION BEHIND FRONT POSTS AND USE 3 PLASTIC RIVETS TO ATTACH
      - INSTALL QTY. 1 PLASTIC RIVET INTO REAR(INSIDE) FACE OF THE FRONT RAIL
      - INSTALL QTY. 2 PLASTIC RIVETS INTO TOP/BOTTOM FACE OF BAFFLE PER SECTION
    - B. WHEN INSTALLING, NOTE REMOVEABLE NOTCHES REAR OF COVERS. COVERS MAY NEED TO BE NOTCHED TO ACCOMDATE FOR YOUR SPECIFIC REAR RAIL PLACEMENT
    - C. REPEAT STEP A IN ON THE TOP AND BOTTOM, FOR BOTH INTAKE AND EXHAUST BAFFLES
- \*\* NOTE: IF DESIRED RU IS WITHIN THE BOTTOM 3 RU OF THE ENCLOSURE, BOTTOM COVERS MAY NEED TO BE RESTING IN LOCATION PRIOR TO MAIN INTAKE/ EXHAUST BAFFLE BEING INSTALLED

**EXHAUST BAFFLE , LEFT SIDE:**  
BAFFLE ORIENTED WITH CLOSED FACE TOWARD FRONT OF ENCLOSURE

**EXHAUST BAFFLE , LEFT SIDE:**  
BAFFLE ORIENTED WITH CLOSED FACE TOWARD FRONT OF ENCLOSURE



RAILS AND SWITCH SHOWN FOR REFERENCE ONLY

INTERPRET DRAWING PER ASME Y14.5M-1994
DIMENSIONAL LIMITS APPLY AFTER APPLICATION OF FINISH
DRAWING NOT TO SCALE
TOLERANCE UNLESS OTHERWISE NOTED:
ANGULAR +/- .1
.XXXX +/- .010
.XXX +/- .015
.XX +/- .030
.X FOR REF. ONLY
UNLESS OTHERWISE SPECIFIED ALL DIMENSIONS ARE IN INCHES

### NOTICE:

Use of this document is subject to a confidentiality and nondisclosure agreement with Great Lakes Case & Cabinet Co., Inc. (GLCC) and may not be reproduced, disclosed or utilized in whole or in part without prior written authorization from GLCC.

PART NUMBER:	ESSAB19X100
QTY PER UNIT:	1
MATERIAL TYPE:	
MATERIAL GAUGE:	
FINISH:	
DRAWN	DATE
CD	10/13/2010
CHECKED & APP.	DATE
WSS	10/13/10

TITLE	19 RMU ES INTAKE & EXHAUST BAFFLE FOR 6513-E CISCO SWITCH
GREAT LAKES CASE & CABINET CO., INC.	
P.O. BOX 551 EDINBORO, PA 16412	
PHONE (814) 734-7303 FAX (814) 734-3907	
E-MAIL glcc@greatcabinets.com	

DWG NO:	REV	SHEET
1012789	2	3 OF 3



THIRD ANGLE PROJECTION