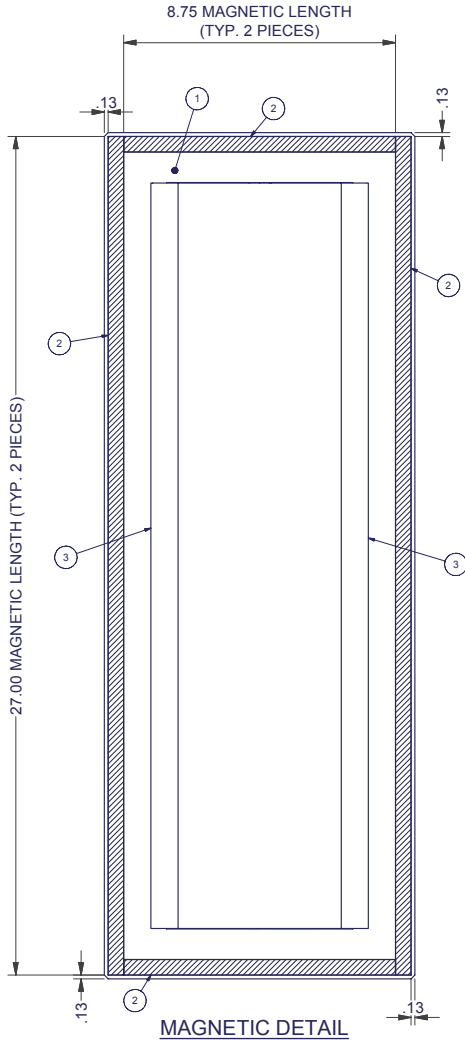
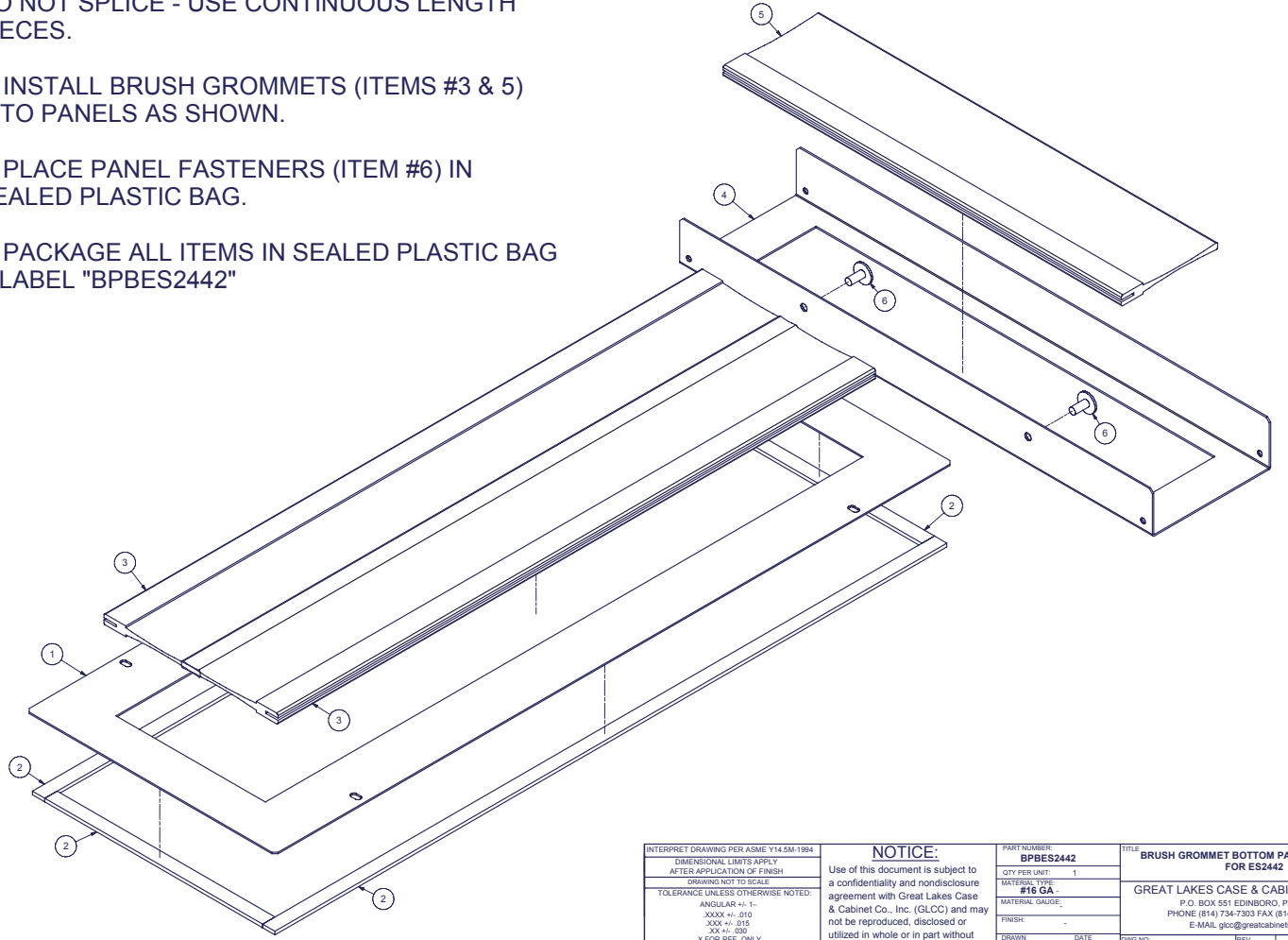


REVISION HISTORY			
REV	DESCRIPTION	DATE	APPROVED
0	ECC-02558	6/8/2009	WSS

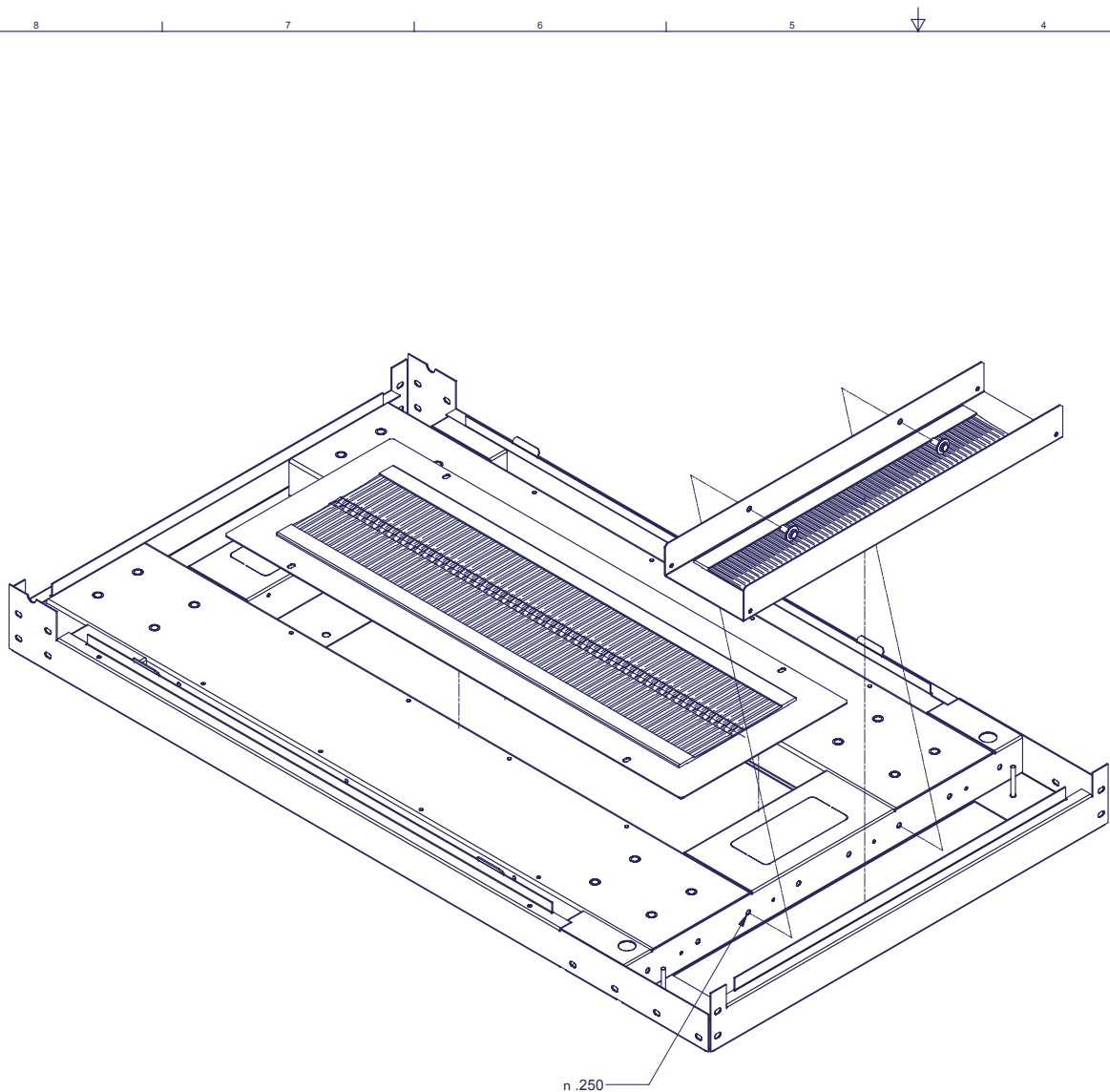


- SPECIAL NOTES:**
1. APPLY MAGNETIC (ITEM #2) TO CENTER BOTTOM PANEL (ITEM #1) PER MAGNETIC DETAIL. MAGNETIC SHOULD HAVE SHARP CUT EDGES & REMAIN PARALLEL TO PANEL LENGTH. DO NOT SPLICE - USE CONTINUOUS LENGTH PIECES.
 2. INSTALL BRUSH GROMMETS (ITEMS #3 & 5) INTO PANELS AS SHOWN.
 3. PLACE PANEL FASTENERS (ITEM #6) IN SEALED PLASTIC BAG.
 4. PACKAGE ALL ITEMS IN SEALED PLASTIC BAG & LABEL "BPBES2442"

Bill of Material					
ITEM	PART NUMBER	QTY	DESCRIPTION	FILE NAME	REVISION
1		1	BRUSH GROMMET BOTTOM PANEL, CENTER, FOR 24"W ES	I008380.ipt	0
2	XM01	71.5"	1/8" x 1/2" MAGNETIC GASKET WITH PSA	"Varies"	-
3		2	BRUSH GROMMET FOR CENTER OPENING ES	I008382.ipt	0
4		1	BRUSH GROMMET BOTTOM PANEL, REAR, FOR 24"W x 42"D ES	I008381.ipt	0
5		1	BRUSH GROMMET FOR REAR OPENING 24"W ES	I008383.ipt	0
6	30063008-05004D	2	PANEL FASTENER, TUFLOK, ITW-FASTEX, OR EQUIV.	30063008-05004D.ipt	-

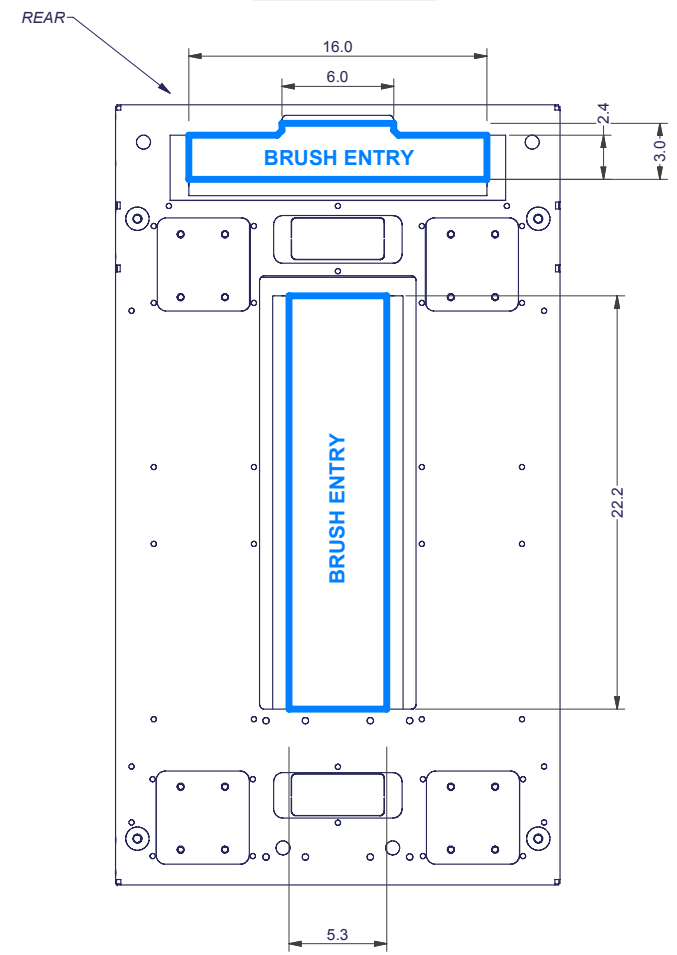


INTERPRET DRAWING PER ASME Y14.5M-1994 DIMENSIONAL LIMITS APPLY AFTER APPLICATION OF FINISH DRAWING NOT TO SCALE TOLERANCE UNLESS OTHERWISE NOTED: ANGULAR ±.1° .3000 ±.010 .XXX ±.015 .XX ±.030 X FOR REF. ONLY	NOTICE: Use of this document is subject to a confidentiality and nondisclosure agreement with Great Lakes Case & Cabinet Co., Inc. (GLCC) and may not be reproduced, disclosed or utilized in whole or in part without prior written authorization from GLCC.	PART NUMBER: BPBES2442 QTY PER UNIT: 1 MATERIAL GAUGE: #16 GA. FINISH:	TITLE: BRUSH GROMMET BOTTOM PANEL ASSEMBLY FOR ES2442 GREAT LAKES CASE & CABINET CO., INC. P.O. BOX 551 EDINBORO, PA 16412 PHONE: (814) 734-7323 FAX: (814) 734-3907 E-MAIL: glcc@greatlakescabinets.com
UNLESS OTHERWISE SPECIFIED ALL DIMENSIONS ARE IN INCHES	DRAWN: JAL CHECKED & APP: WSS DATE: 5/13/2009 DATE: 6/8/2009	DWG NO: I008379	REV: 0 SHEET: 1 OF 2



n .250

BOTTOM VIEW



INTERPRET DRAWING PER ASME Y14.5M-1994 DIMENSIONAL LIMITS APPLY AFTER APPLICATION OF FINISH DRAWING NOT TO SCALE TOLERANCE UNLESS OTHERWISE NOTED: ANGULAR +/- 1° .XXX +/- .010 .XXX +/- .015 .XX +/- .030 X FOR REF. ONLY		NOTICE: Use of this document is subject to a confidentiality and nondisclosure agreement with Great Lakes Case & Cabinet Co., Inc. (GLCC) and may not be reproduced, disclosed or utilized in whole or in part without prior written authorization from GLCC.	PART NUMBER: BPBES2442	TITLE: BRUSH GROMMET BOTTOM PANEL ASSEMBLY FOR ES2442
THIRD ANGLE PROJECTION	UNLESS OTHERWISE SPECIFIED ALL DIMENSIONS ARE IN INCHES		QTY PER UNIT: 1 MATERIAL TYPE: MATERIAL GAUGE: FINISH:	GREAT LAKES CASE & CABINET CO., INC. P.O. BOX 551 EDINBORO, PA 16412 PHONE: (814) 734-7303 FAX: (814) 734-3907 E-MAIL: glcc@greatscabinets.com
		DRAWN: JAL CHECKED & APP: WSS	DATE: 5/13/2009 DATE: 6/17/2009	DWG NO: I008379 REV: 0 SHEET: 2 OF 2