

REVISION HISTORY			
REV	DESCRIPTION	DATE	APPROVED
0	ECO-02558	6/11/2009	WSS

Bill of Material					
ITEM	PART NUMBER	QTY	DESCRIPTION	FILE NAME	REVISION
1		1	BRUSH GROMMET BOTTOM PANEL, CENTER, FOR 24"W ES	I008380.ipt	0
2	XM01	71.5"	1/8" x 1/2" MAGNETIC GASKET WITH PSA	"Varies"	-
3		2	BRUSH GROMMET FOR CENTER OPENING ES	I008382.ipt	0
4		2	BRUSH GROMMET FOR REAR OPENING 24"W ES	I008383.ipt	0
5	30063008-05004D	2	PANEL FASTENER, TUFLOK, ITW-FASTEX. OR EQUIV.	30063008-05004D.ipt	-
6		1	BRUSH GROMMET BOTTOM PANEL, REAR, FOR 30"W x 48"D ES	I008389.ipt	0

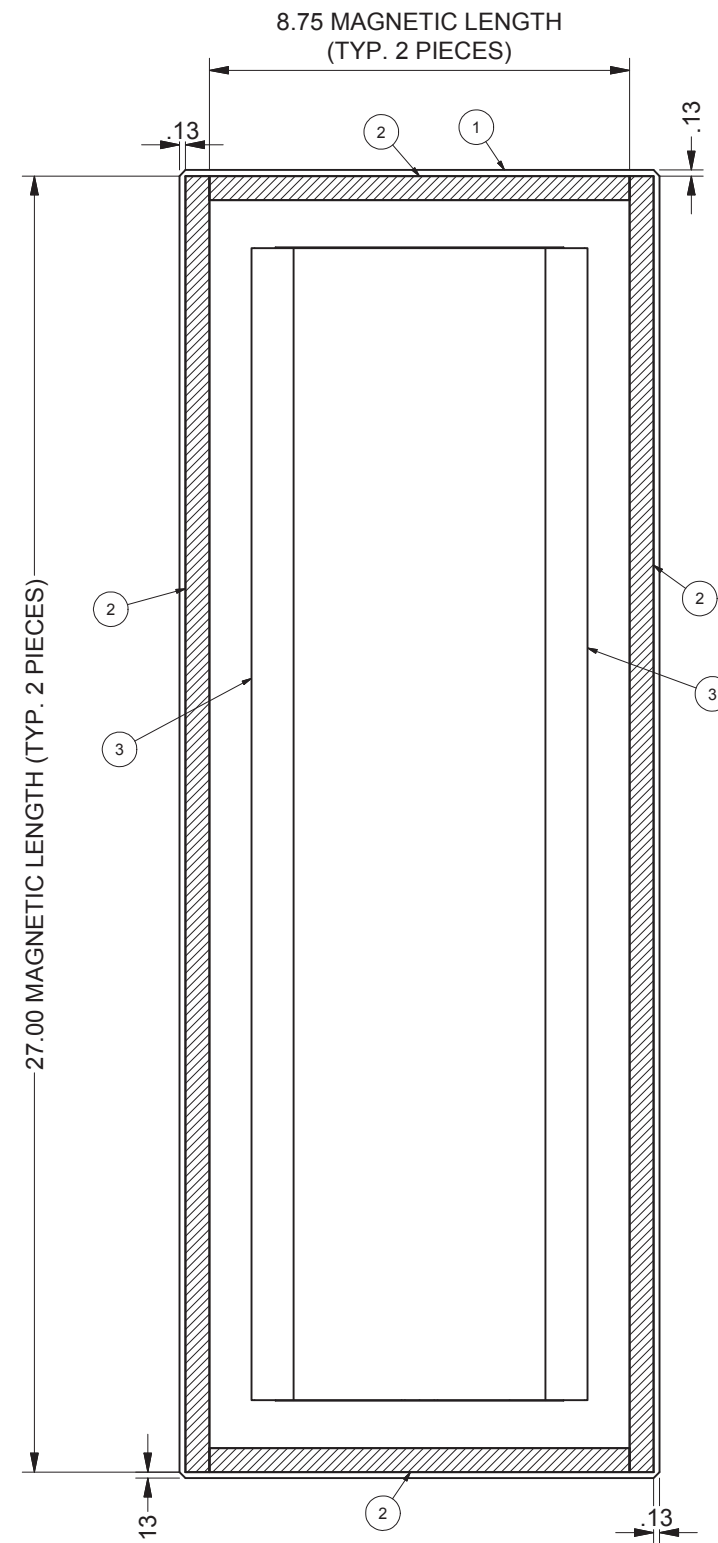
**SPECIAL NOTES:**

1. APPLY MAGNETIC (ITEM #2) TO CENTER BOTTOM PANEL (ITEM #1) PER MAGNETIC DETAIL. MAGNETIC SHOULD HAVE SHARP CUT EDGES & REMAIN PARALLEL TO PANEL EDGES. DO NOT SPLICE - USE CONTINUOUS LENGTH PIECES.

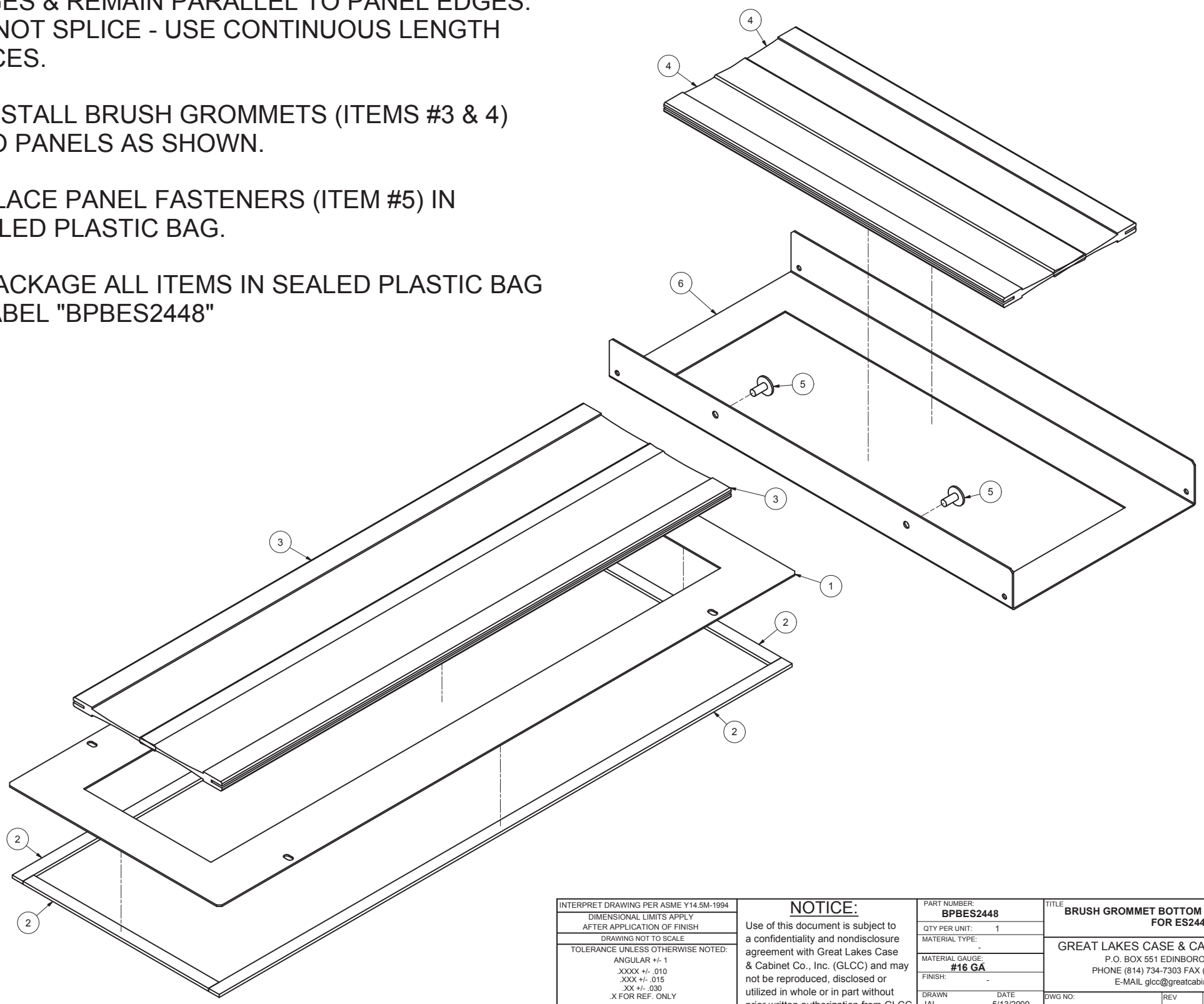
2. INSTALL BRUSH GROMMETS (ITEMS #3 & 4) INTO PANELS AS SHOWN.

3. PLACE PANEL FASTENERS (ITEM #5) IN SEALED PLASTIC BAG.

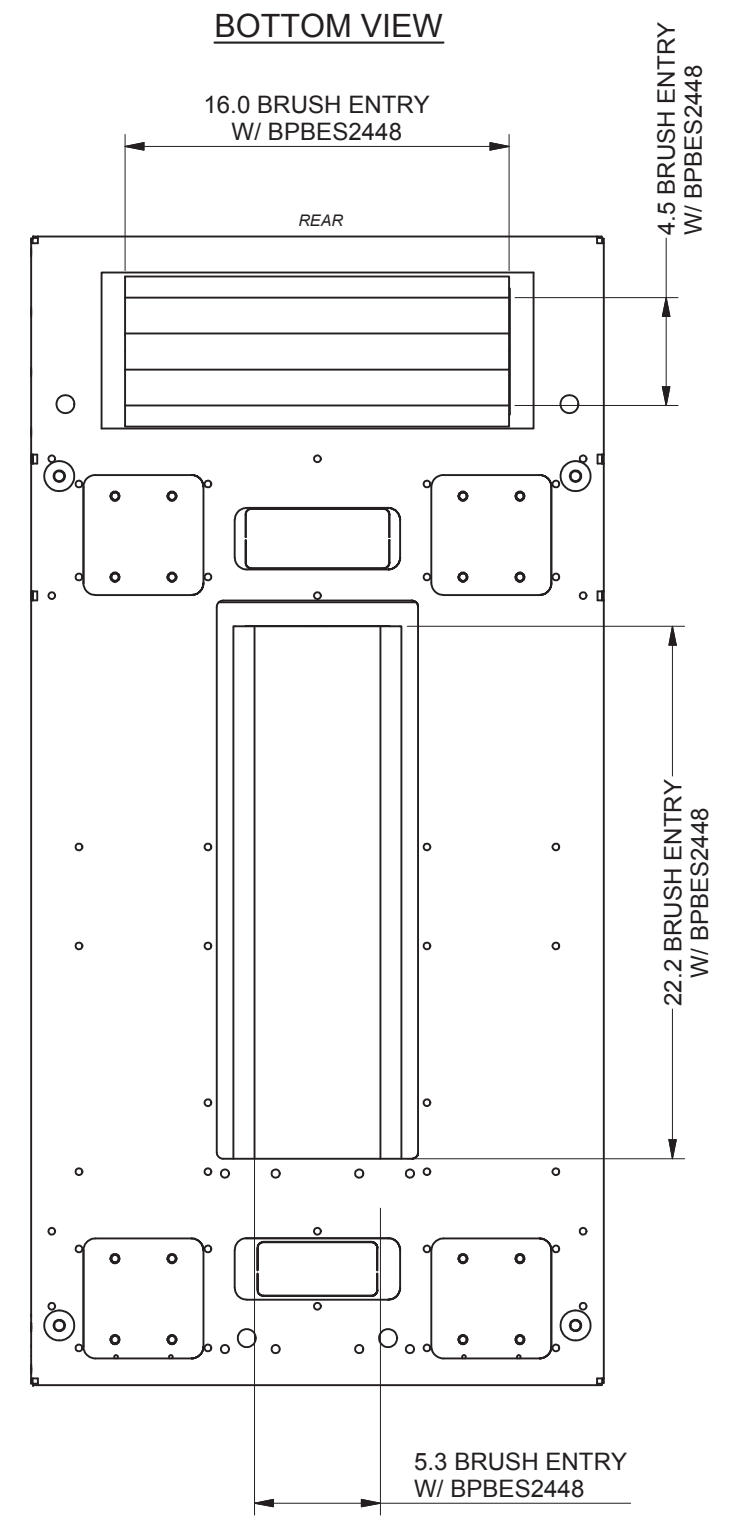
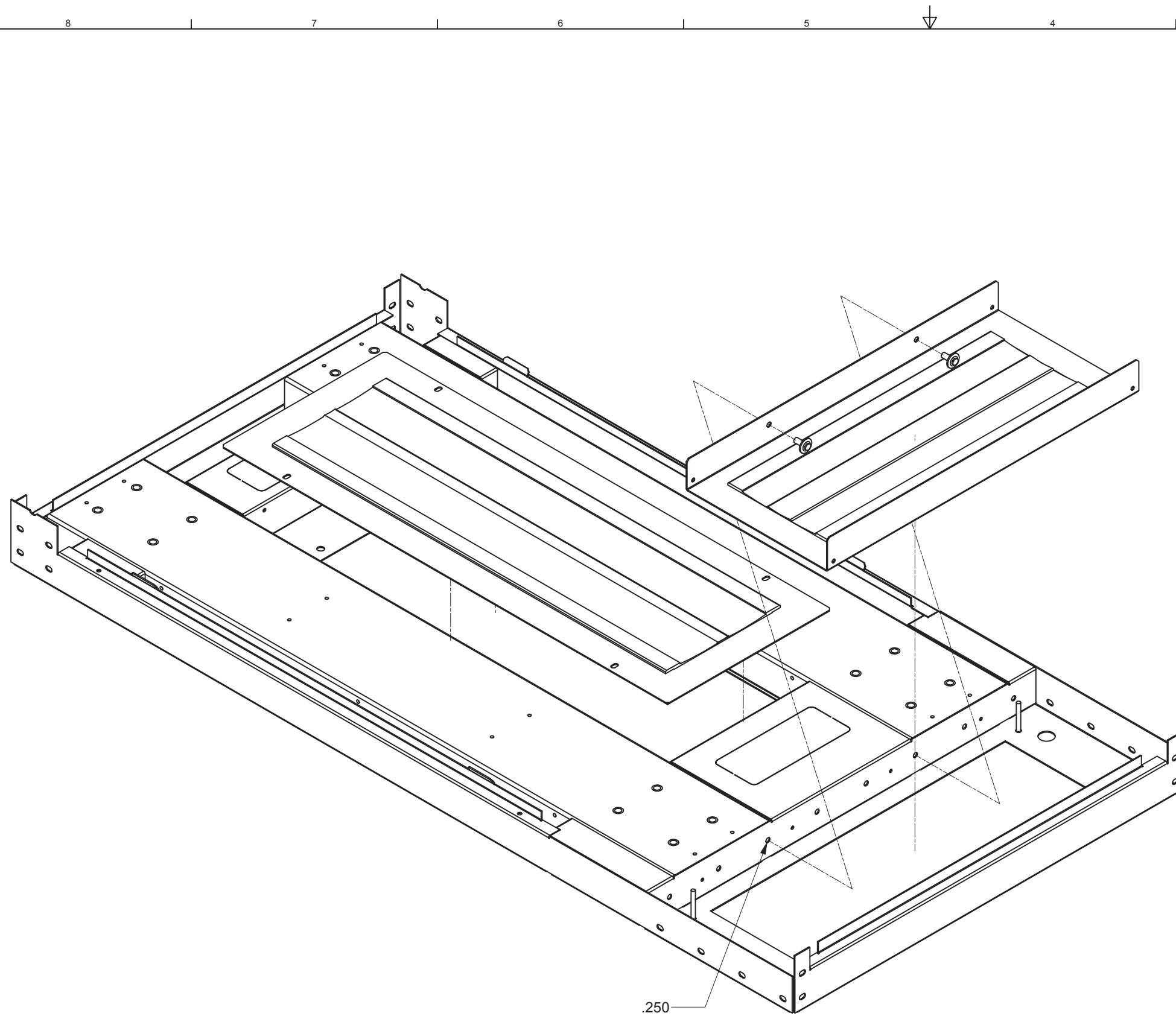
4. PACKAGE ALL ITEMS IN SEALED PLASTIC BAG & LABEL "BPBES2448"



MAGNETIC DETAIL



INTERPRET DRAWING PER ASME Y14.5M-1994 DIMENSIONAL LIMITS APPLY AFTER APPLICATION OF FINISH DRAWING NOT TO SCALE TOLERANCE UNLESS OTHERWISE NOTED: ANGULAR +/- .1 .XXXX +/- .010 .XXX +/- .015 .XX +/- .030 .X FOR REF. ONLY	<b>NOTICE:</b> Use of this document is subject to a confidentiality and nondisclosure agreement with Great Lakes Case & Cabinet Co., Inc. (GLCC) and may not be reproduced, disclosed or utilized in whole or in part without prior written authorization from GLCC.	PART NUMBER: <b>BPBES2448</b>	TITLE: <b>BRUSH GROMMET BOTTOM PANEL ASSEMBLY FOR ES2448</b>
		QTY PER UNIT: 1	GREAT LAKES CASE & CABINET CO., INC. P.O. BOX 551 EDINBORO, PA 16412 PHONE (814) 734-7303 FAX (814) 734-3907 E-MAIL glcc@greatcabinets.com
		MATERIAL TYPE: -	
		MATERIAL GAUGE: <b>#16 GA</b>	
FINISH: -	DRAWN DATE: JAL 5/13/2009	CHECKED & APP. DATE: WSS 6/11/2009	DWG NO: <b>I008388</b>
THIRD ANGLE PROJECTION	UNLESS OTHERWISE SPECIFIED ALL DIMENSIONS ARE IN INCHES	REV <b>0</b>	SHEET: 1 OF 2



INTERPRET DRAWING PER ASME Y14.5M-1994 DIMENSIONAL LIMITS APPLY AFTER APPLICATION OF FINISH DRAWING NOT TO SCALE TOLERANCE UNLESS OTHERWISE NOTED: ANGULAR +/- 1 .XXXX +/- .010 .XXX +/- .015 .XX +/- .030 .X FOR REF. ONLY		<b>NOTICE:</b> Use of this document is subject to a confidentiality and nondisclosure agreement with Great Lakes Case & Cabinet Co., Inc. (GLCC) and may not be reproduced, disclosed or utilized in whole or in part without prior written authorization from GLCC.	PART NUMBER: <b>BPBES2448</b>	TITLE <b>BRUSH GROMMET BOTTOM PANEL ASSEMBLY FOR ES2448</b>	
UNLESS OTHERWISE SPECIFIED ALL DIMENSIONS ARE IN INCHES			QTY PER UNIT: 1 MATERIAL TYPE: MATERIAL GAUGE: FINISH:	GREAT LAKES CASE & CABINET CO., INC. P.O. BOX 551 EDINBORO, PA 16412 PHONE (814) 734-7303 FAX (814) 734-3907 E-MAIL glcc@greatcabinets.com	
THIRD ANGLE PROJECTION		DRAWN: JAL CHECKED & APP.: WSS	DATE: 6/9/2009 DATE: 6/11/2009	DWG NO: <b>1008388</b>	REV: 0 SHEET: 2 OF 2