

REVISION HISTORY			
REV	DESCRIPTION	DATE	APPROVED
0	ECO-02558	6/19/2009	WSS

Bill of Material					
ITEM	PART NUMBER	QTY	DESCRIPTION	FILE NAME	REVISION
1		1	BRUSH GROMMET BOTTOM PANEL, CENTER FOR 30"W ES	I008385.ipt	0
2	XM01	83.5"	1/8" x 1/2" MAGNETIC GASKET WITH PSA	"Varies"	-
3		1	BRUSH GROMMET BOTTOM PANEL, REAR, FOR 30"W x 48"D ES	I008391.ipt	0
4		2	BRUSH GROMMET FOR CENTER OPENING ES	I008382.ipt	0
5		2	BRUSH GROMMET FOR REAR OPENING 30"W ES	I008387.ipt	0
6	30063008-05004D	2	PANEL FASTENER, TUFLOK, ITW-FASTEX. OR EQUIV.	30063008-05004D.ipt	-

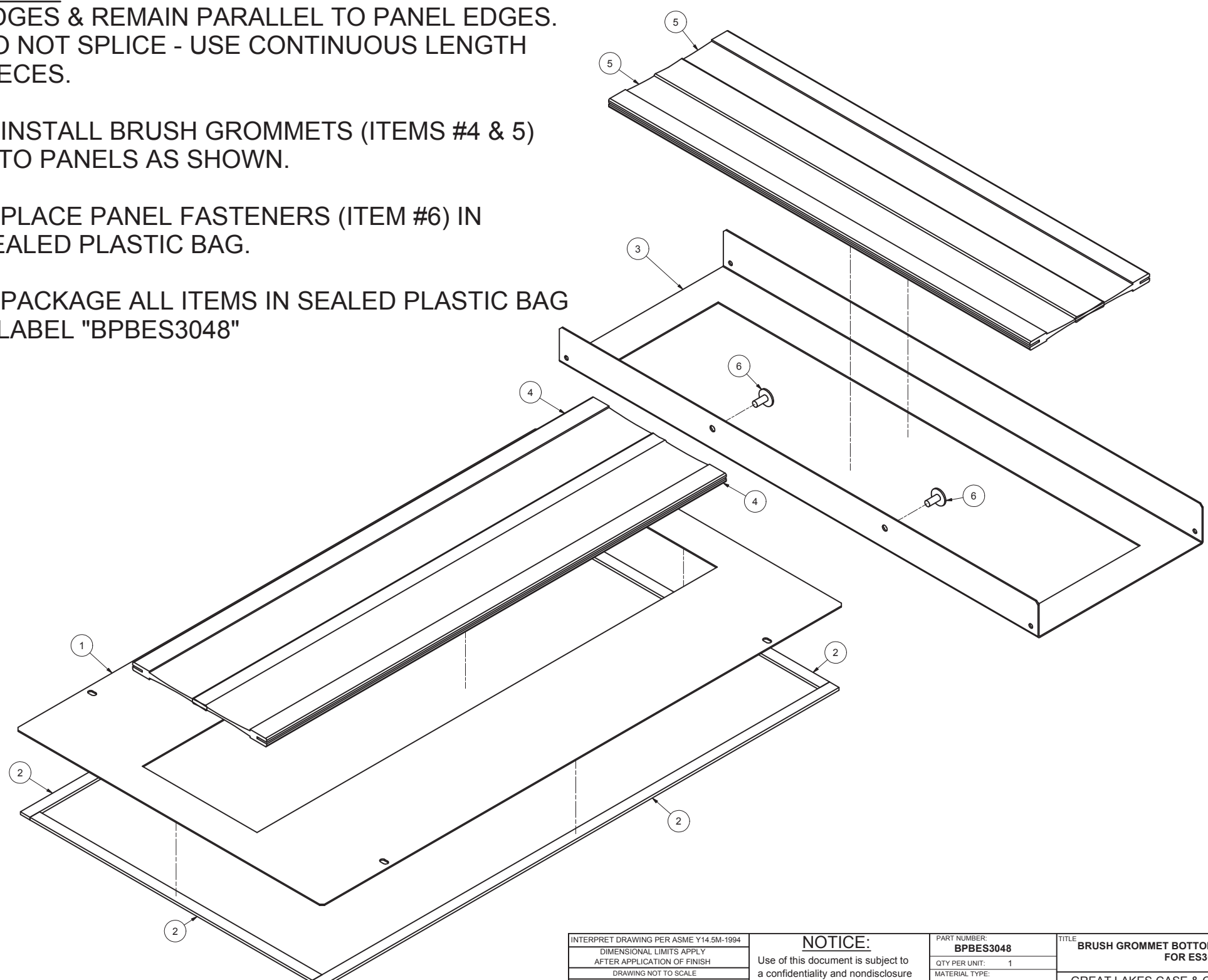
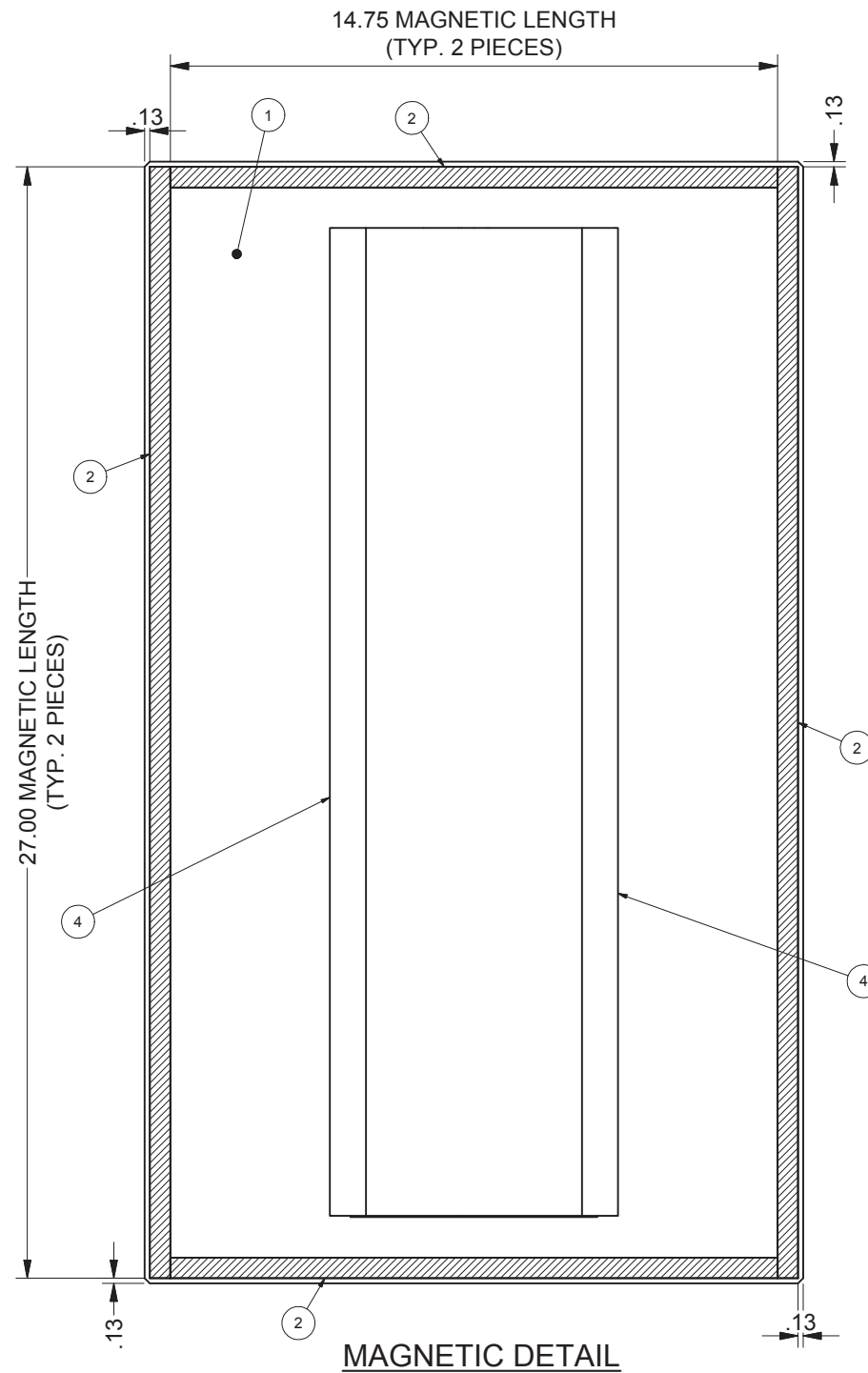
SPECIAL NOTES:

1. APPLY MAGNETIC (ITEM #2) TO CENTER BOTTOM PANEL (ITEM #1) PER MAGNETIC DETAIL. MAGNETIC SHOULD HAVE SHARP CUT EDGES & REMAIN PARALLEL TO PANEL EDGES. DO NOT SPLICE - USE CONTINUOUS LENGTH PIECES.

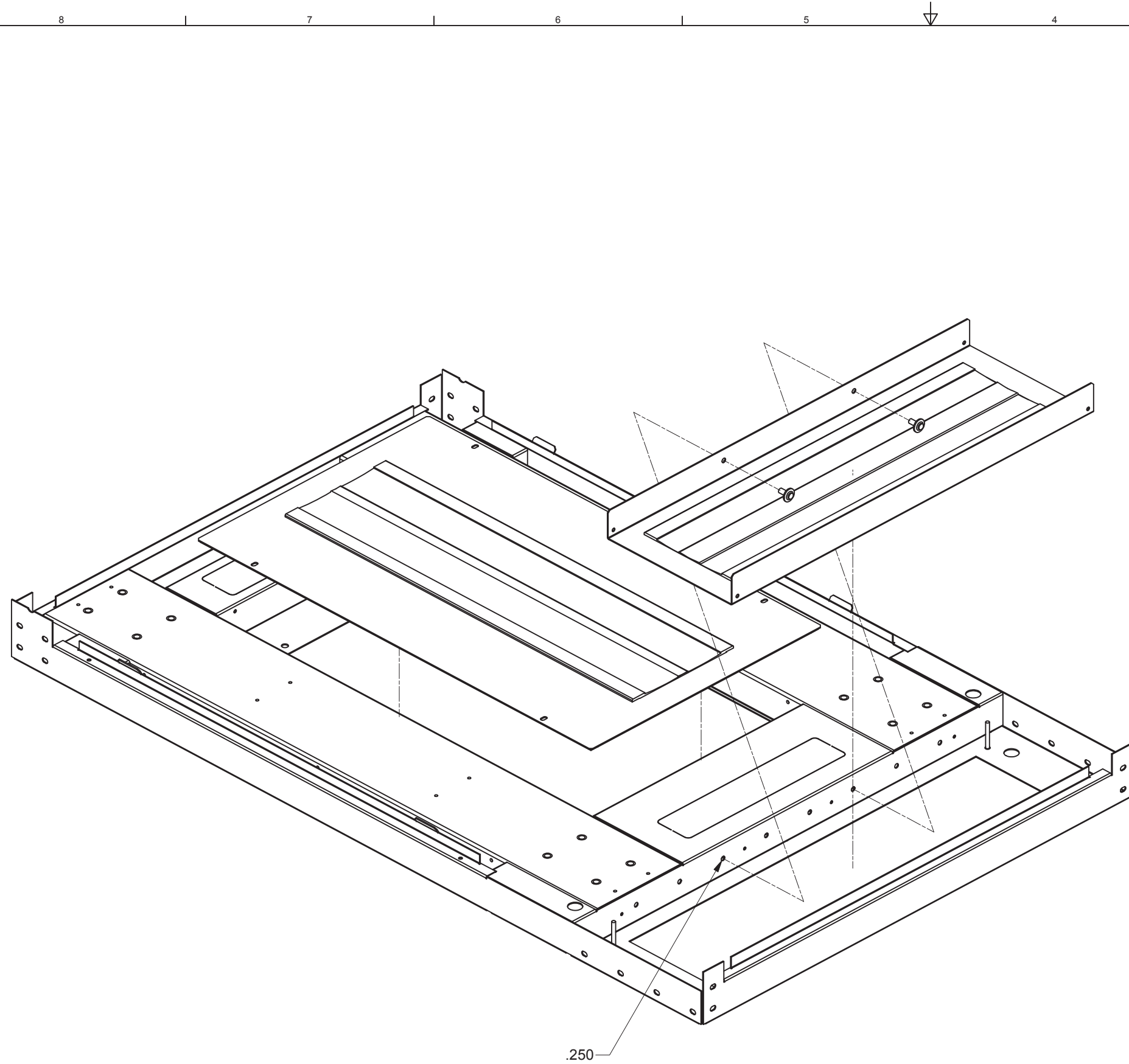
2. INSTALL BRUSH GROMMETS (ITEMS #4 & 5) INTO PANELS AS SHOWN.

3. PLACE PANEL FASTENERS (ITEM #6) IN SEALED PLASTIC BAG.

4. PACKAGE ALL ITEMS IN SEALED PLASTIC BAG & LABEL "BPBES3048"

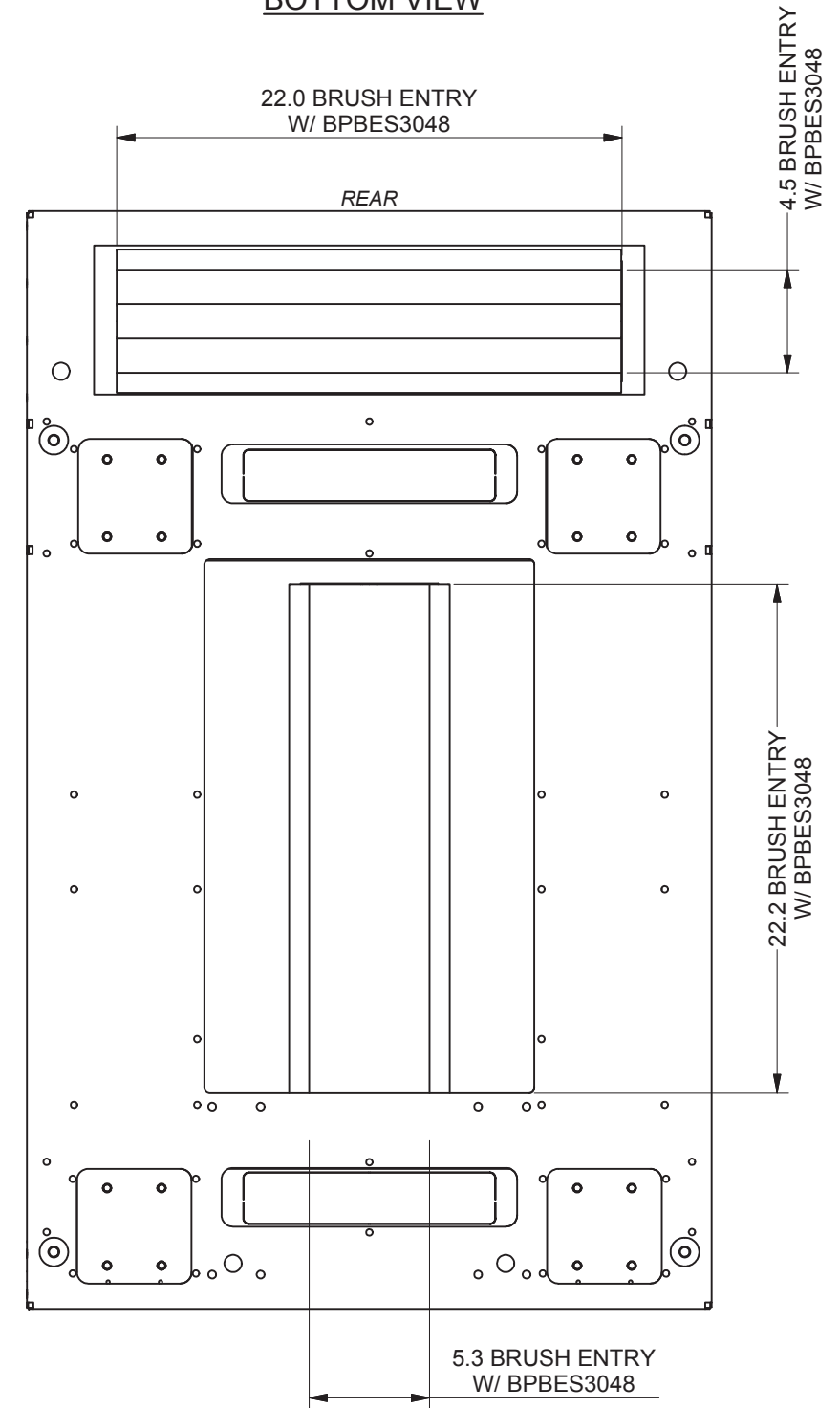


INTERPRET DRAWING PER ASME Y14.5M-1994 DIMENSIONAL LIMITS APPLY AFTER APPLICATION OF FINISH DRAWING NOT TO SCALE TOLERANCE UNLESS OTHERWISE NOTED: ANGULAR +/- .1 .XXXX +/- .010 .XXX +/- .015 .XX +/- .030 .X FOR REF. ONLY	NOTICE: Use of this document is subject to a confidentiality and nondisclosure agreement with Great Lakes Case & Cabinet Co., Inc. (GLCC) and may not be reproduced, disclosed or utilized in whole or in part without prior written authorization from GLCC.	PART NUMBER: BPBES3048	TITLE: BRUSH GROMMET BOTTOM PANEL ASSEMBLY FOR ES3048
		QTY PER UNIT: 1	GREAT LAKES CASE & CABINET CO., INC. P.O. BOX 551 EDINBORO, PA 16412 PHONE (814) 734-7303 FAX (814) 734-3907 E-MAIL glcc@greatcabinets.com
		MATERIAL TYPE: #16 GA	FINISH: -
		DRAWN: JAL CHECKED & APP. WSS	DATE: 6/9/2009 DATE: 6/19/2009
THIRD ANGLE PROJECTION	UNLESS OTHERWISE SPECIFIED ALL DIMENSIONS ARE IN INCHES	DWG NO: 1008390	REV: 0



.250

BOTTOM VIEW



INTERPRET DRAWING PER ASME Y14.5M-1994
 DIMENSIONAL LIMITS APPLY
 AFTER APPLICATION OF FINISH
 DRAWING NOT TO SCALE
 TOLERANCE UNLESS OTHERWISE NOTED:
 ANGULAR +/- 1
 .XXXX +/- .010
 .XXX +/- .015
 .XX +/- .030
 .X FOR REF. ONLY

NOTICE:
 Use of this document is subject to a confidentiality and nondisclosure agreement with Great Lakes Case & Cabinet Co., Inc. (GLCC) and may not be reproduced, disclosed or utilized in whole or in part without prior written authorization from GLCC.

PART NUMBER:
BPBES3048
 QTY PER UNIT: 1
 MATERIAL TYPE:
 MATERIAL GAUGE:
 FINISH: -

TITLE
BRUSH GROMMET BOTTOM PANEL ASSEMBLY FOR ES3048
GREAT LAKES CASE & CABINET CO., INC.
 P.O. BOX 551 EDINBORO, PA 16412
 PHONE (814) 734-7303 FAX (814) 734-3907
 E-MAIL glcc@greatcabinets.com



THIRD ANGLE PROJECTION
 UNLESS OTHERWISE SPECIFIED ALL DIMENSIONS ARE IN INCHES

DRAWN JAL DATE 6/9/2009
 CHECKED & APP. WSS DATE 6/19/2009

DWG NO: 1008390
 REV: 0
 SHEET: 2 OF 2