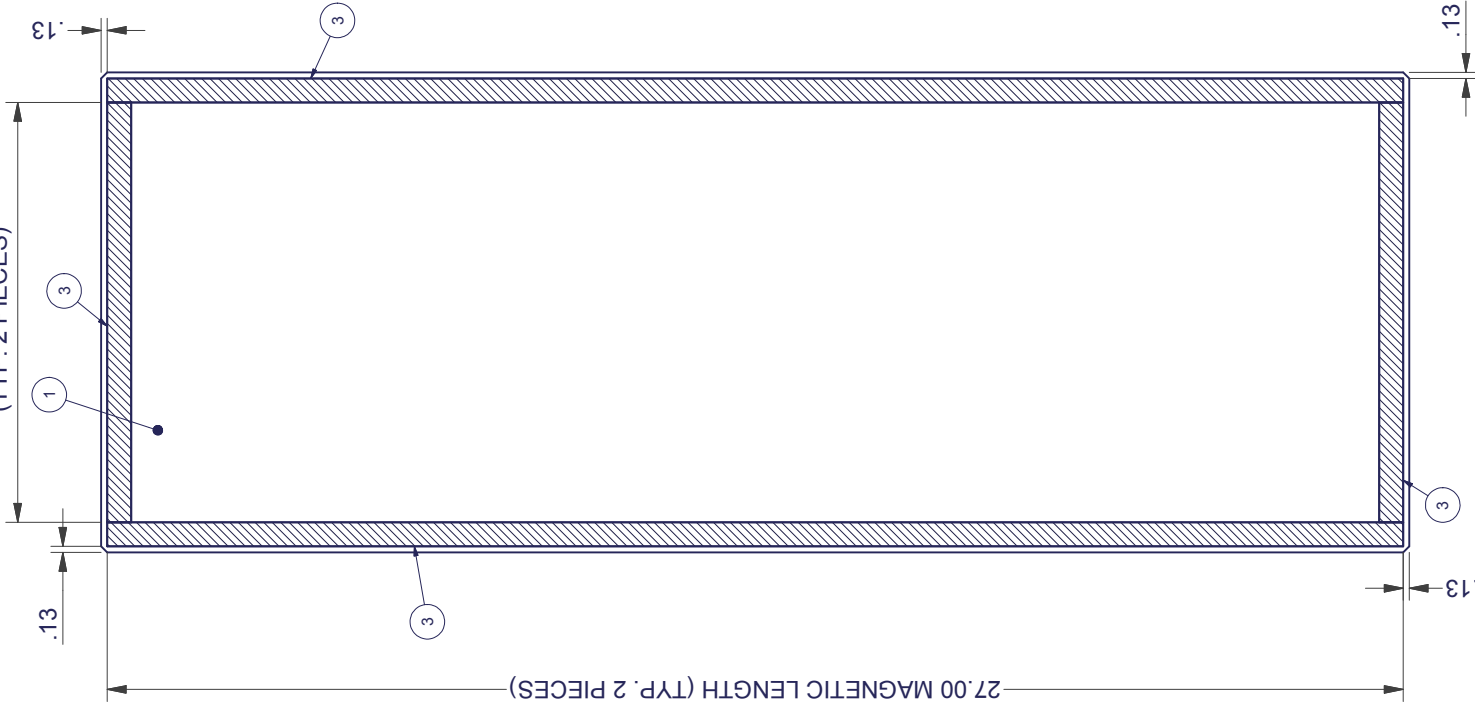


REV	DESCRIPTION	DATE	APPROVED
0	ECO-03371	10/4/2011	CDM

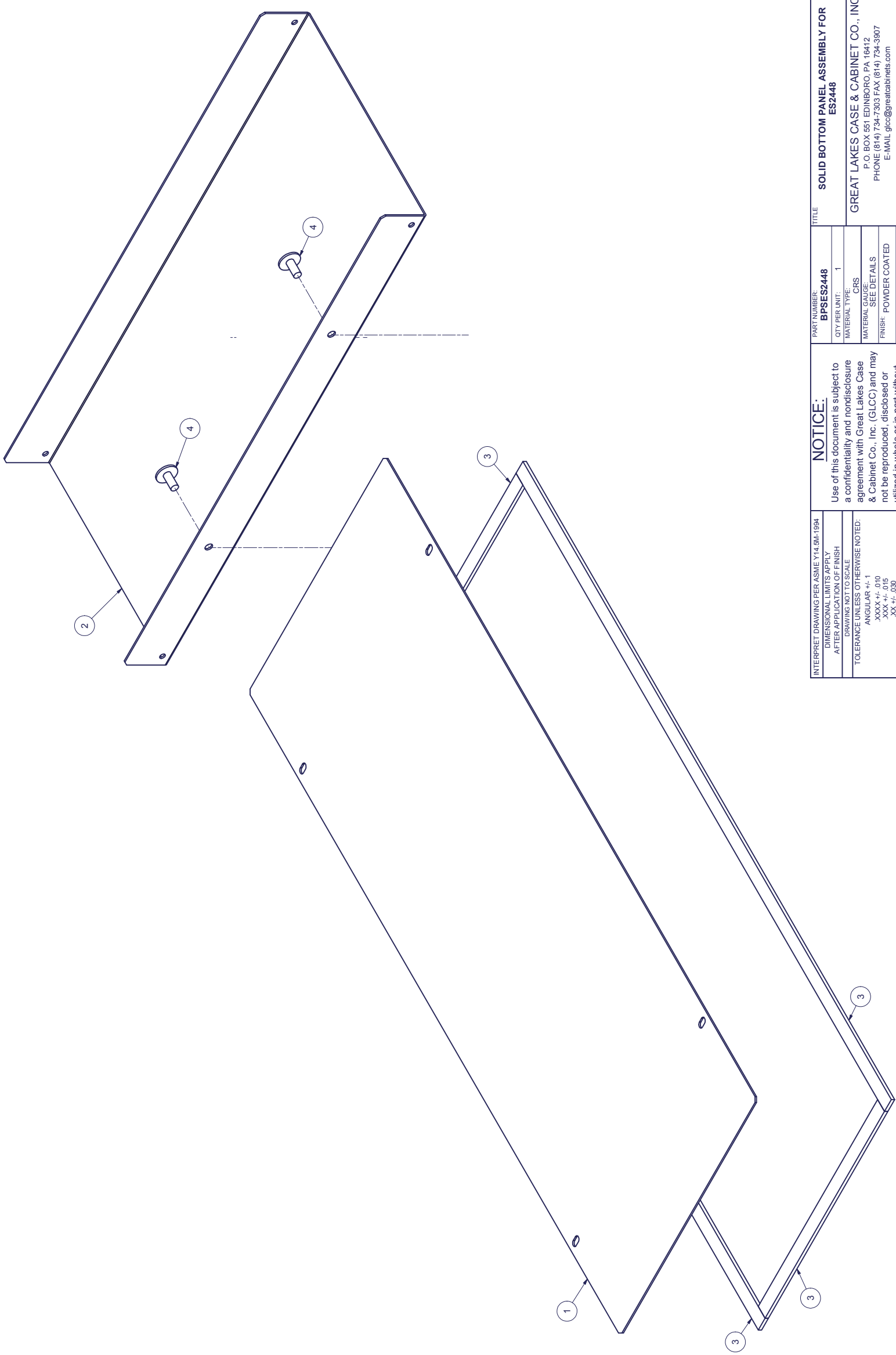
Bill of Material			
ITEM	PART NUMBER	STOCK NUMBER	QTY
1	I014947		1
2	I014949		1
3	XM01		71.5*
4	30063008-05004D	H31-022	2

DESCRIPTION	FILE NAME	REVISION
SOLID BOTTOM PANEL, CENTER, FOR 24"W ES	I014947.ipt	0
SOLID BOTTOM PANEL, REAR, FOR 30"W x 48"D ES	I014949.ipt	0
1/8" x 1/2" MAGNETIC GASKET WITH PSA	*Varies*	-
PANEL FASTENER, TUFLOK, ITW-FASTEX, OR EQUIV.	30063008-05004D.ipt	-

8.75 MAGNETIC LENGTH
(TYP. 2 PIECES)



MAGNETIC DETAIL



INTERPRET DRAWING PER ASME Y14.5M-1994
DIMENSIONAL LIMITS APPLY
AFTER APPLICATION OF FINISH
DRAWING NOT TO SCALE
TOLERANCE UNLESS OTHERWISE NOTED:
ANGULAR +/- 1
XXX +/- .010
XX +/- .015
X FOR REF ONLY
UNLESS OTHERWISE SPECIFIED
ALL DIMENSIONS ARE IN INCHES

NOTICE:
Use of this document is subject to a confidentiality and nondisclosure agreement with Great Lakes Case & Cabinet Co., Inc. (GLCC) and may not be reproduced, disclosed or utilized in whole or in part without prior written authorization from GLCC.

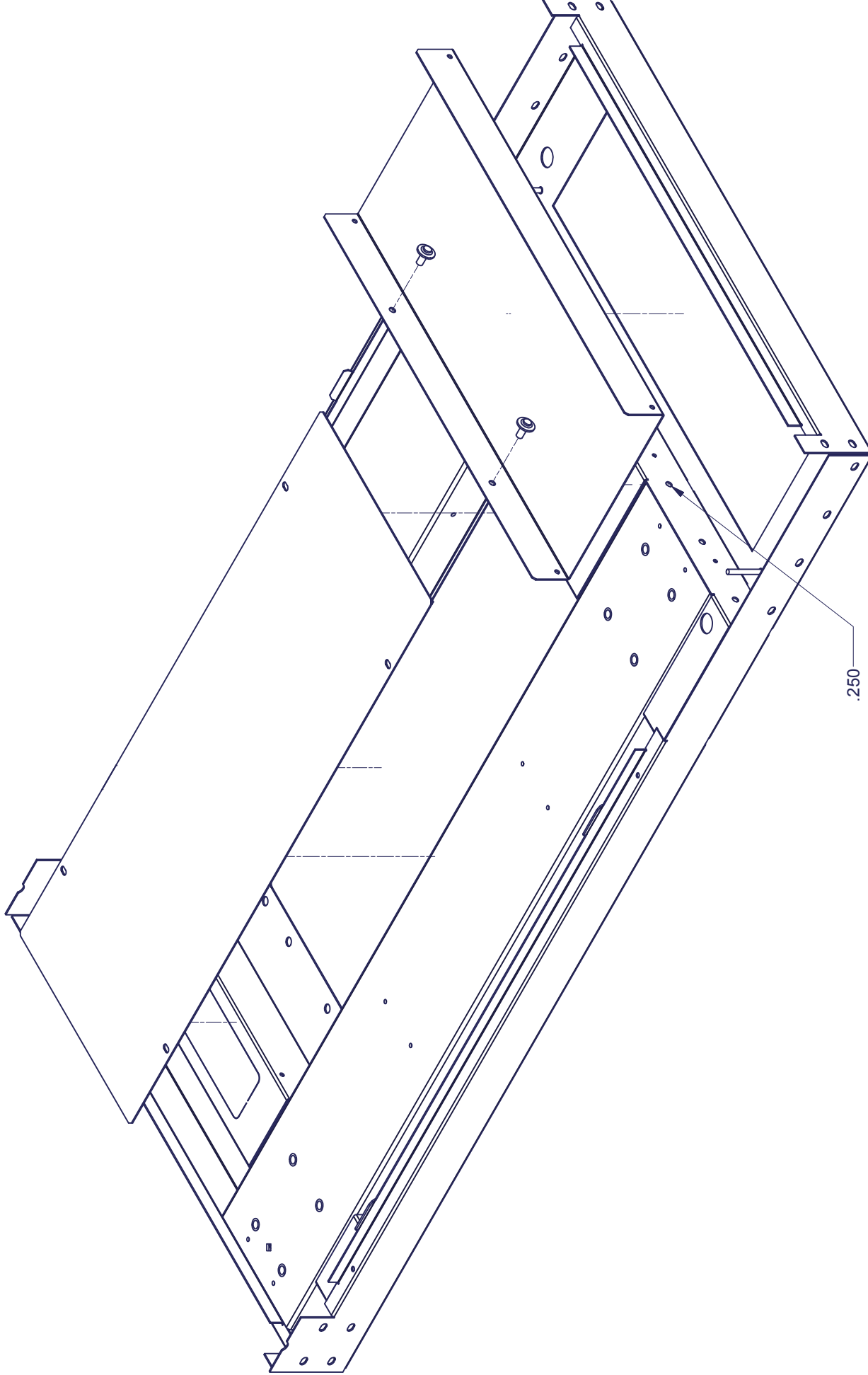
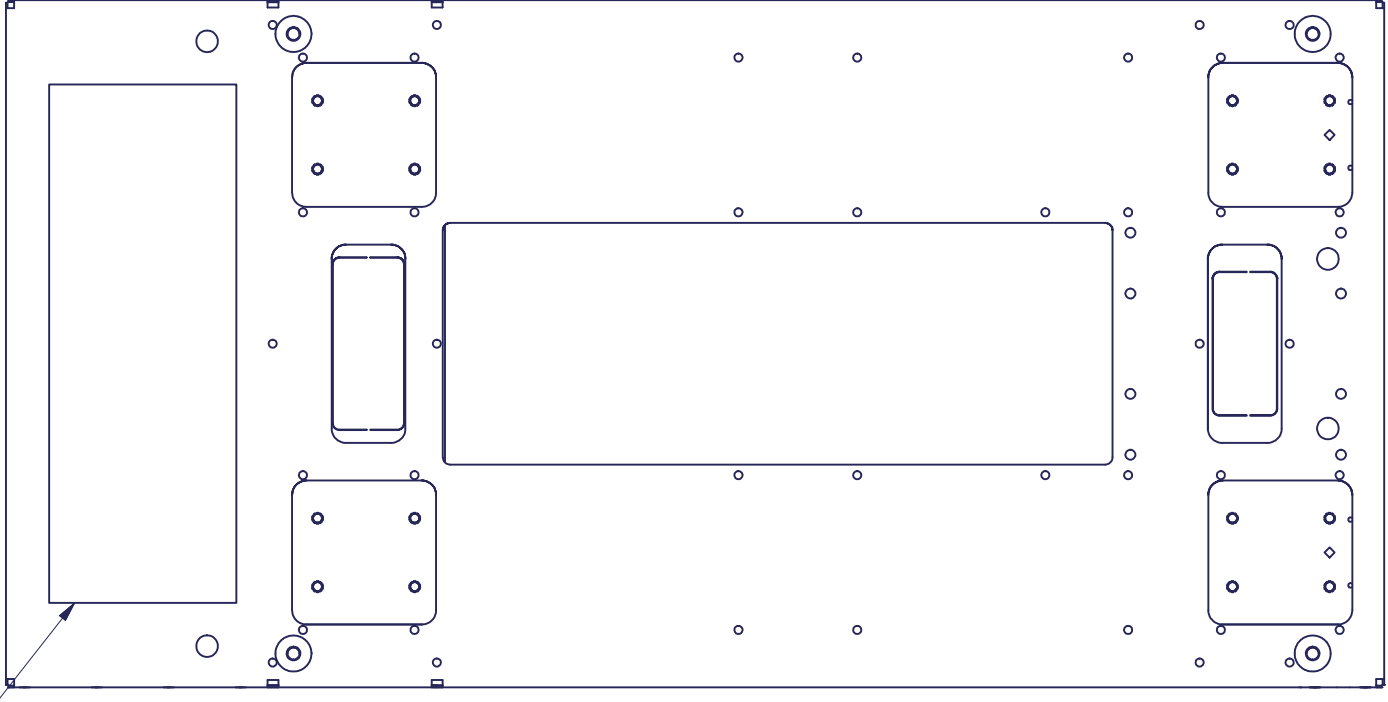
PART NUMBER: **BPSES2448**
QTY PER UNIT: 1
MATERIAL TYPE: CRS
MATERIAL GAUGE: SEE DETAILS
FINISH: POWDER COATED
DRAWN: CDM
CHECKED & APP: WSS
DATE: 10/5/2011

TITLE: **SOLID BOTTOM PANEL ASSEMBLY FOR ES2448**
GREAT LAKES CASE & CABINET CO., INC.
P.O. BOX 551 EDINBORO, PA 16412
PHONE (814) 734-7303 FAX (814) 734-3907
E-MAIL glcc@greatlakes.com
DWG NO: **I014946**
REV: 0
SHEET: 1 OF 2



BOTTOM VIEW

REAR



INTERPRET DRAWING PER ASME Y14.5M-1994
 DIMENSIONAL LIMITS APPLY
 AFTER APPLICATION OF FINISH
 DRAWING NOT TO SCALE
 TOLERANCE UNLESS OTHERWISE NOTED:
 ANGULAR +/- 1
 .XXX +/- .010
 .XX +/- .015
 .X FOR REF ONLY



THIRD ANGLE
 PROJECTION

UNLESS OTHERWISE SPECIFIED
 ALL DIMENSIONS ARE IN INCHES

NOTICE:
 Use of this document is subject to a confidentiality and nondisclosure agreement with Great Lakes Case & Cabinet Co., Inc. (GLCC) and may not be reproduced, disclosed or utilized in whole or in part without prior written authorization from GLCC.

PART NUMBER: **BPSES2448**
 QTY PER UNIT: 1
 MATERIAL TYPE: CRS
 MATERIAL GAUGE: SEE DETAILS
 FINISH: POWDER COATED
 DRAWN: CDM DATE: 10/5/2011
 CHECKED & APP: WSS DATE: 10/5/2011

TITLE: **SOLID BOTTOM PANEL ASSEMBLY FOR ES2448**
 GREAT LAKES CASE & CABINET CO., INC.
 P.O. BOX 551 EDINBORO, PA 16412
 PHONE (814) 734-7303 FAX (814) 734-3907
 E-MAIL glcc@greatlakes.com
 DWG NO: **1014946** REV: 0
 SHEET: 2 OF 2