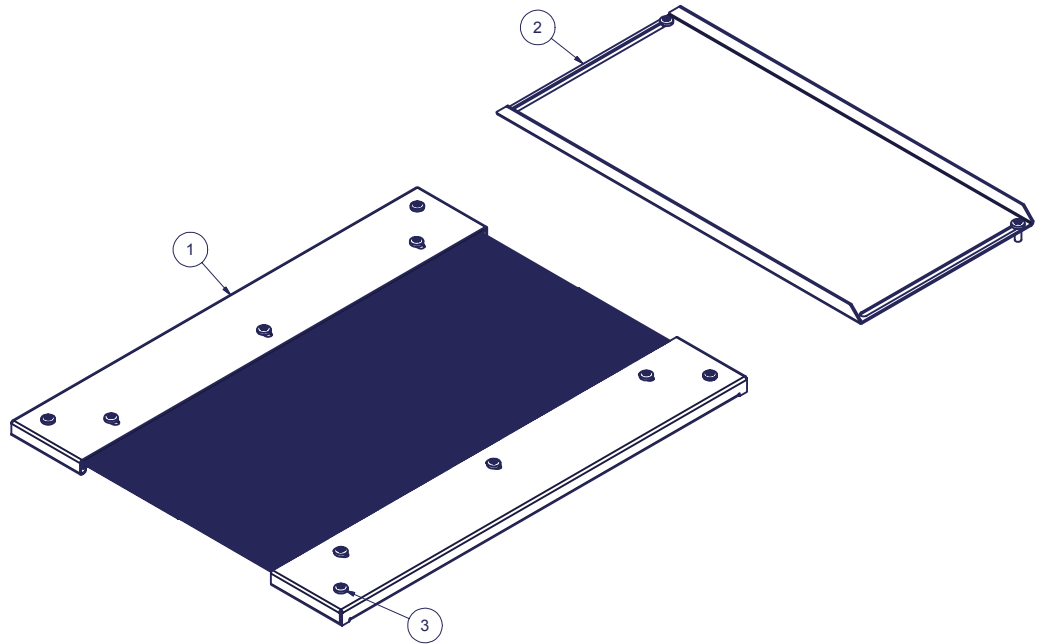
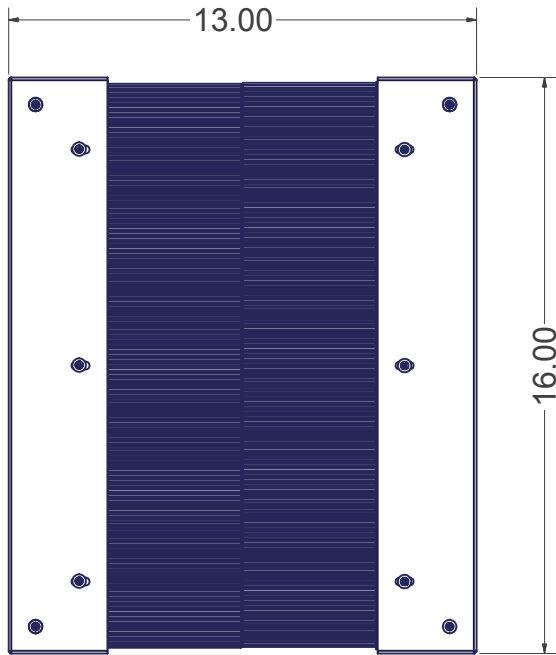
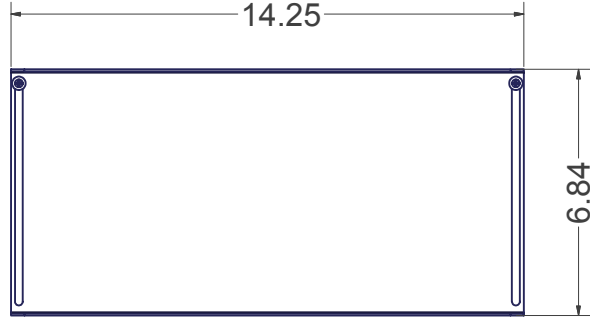


REVISION HISTORY			
REV	DESCRIPTION	DATE	APPROVED
0	ECO-01412	6/1/2004	WSS
1	ECO-02683	10/12/2009	FED

1

Bill of Material						
ITEM	PART NUMBER	STOCK NUMBER	QTY	DESCRIPTION	FILE NAME	REV
1	BPEBX100		1	ENHANCED BRUSH GROMMET BOTTOM PANEL ASSEMBLY	I001151.iam	2
2	BPES24BX100		1	REAR COVER PLATE - 24"W ENHANCED	I000203.ipt	1
3	H01-078	H01-078	6	SCREW, 10-32x1/2" PH PAN TYPE 23 BLACK OXIDE/WAX RoHS	SCR1032X500BLK.ipt	-



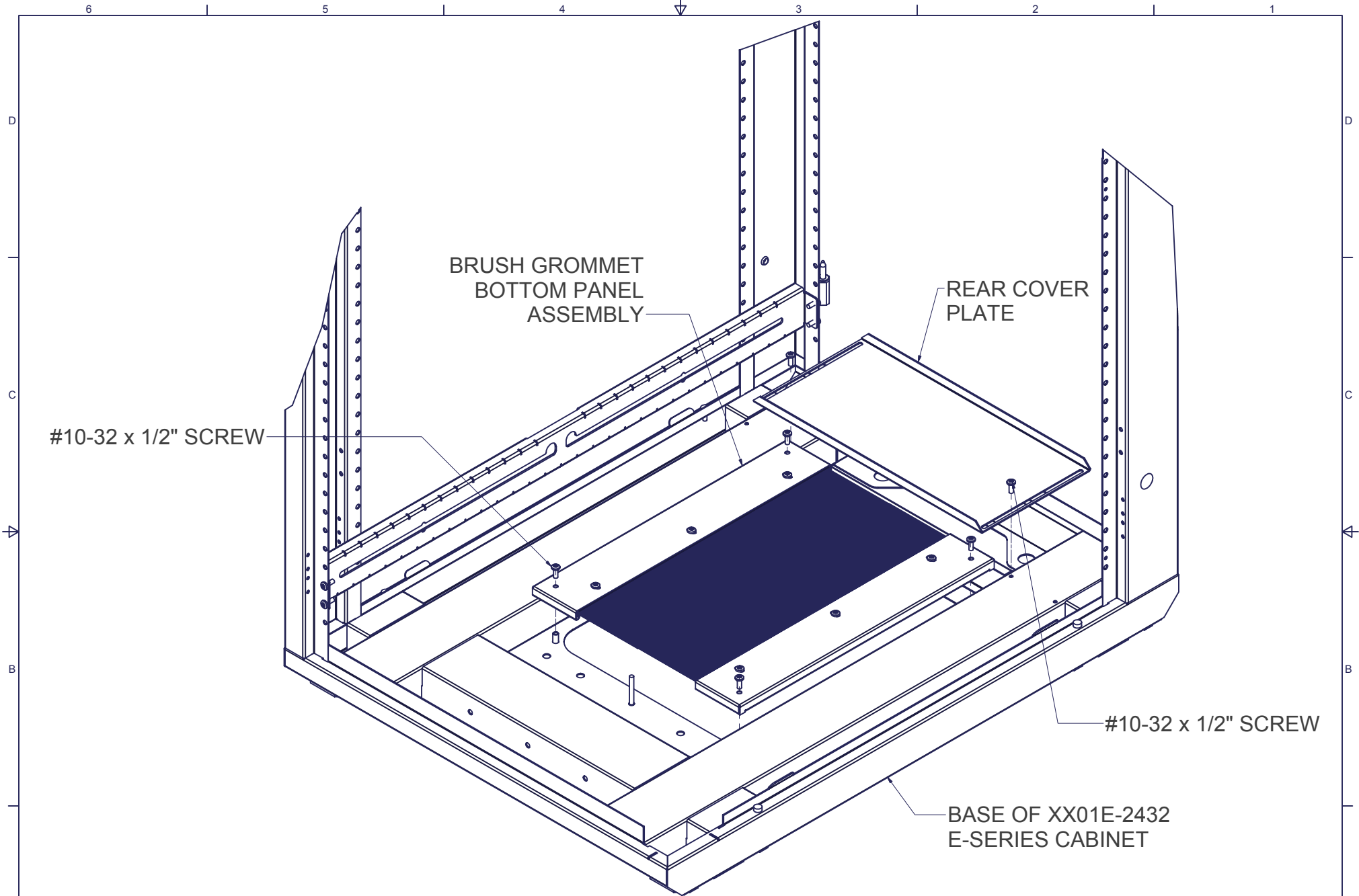
INTERPRET DRAWING PER ASME Y14.5M-1994
DIMENSIONAL LIMITS APPLY AFTER APPLICATION OF FINISH
DRAWING NOT TO SCALE
TOLERANCE UNLESS OTHERWISE NOTED:
ANGULAR +/- 1-
.XXXX +/- .010
.XXX +/- .015
.XX +/- .030
.X FOR REF. ONLY
UNLESS OTHERWISE SPECIFIED ALL DIMENSIONS ARE IN INCHES

NOTICE:
Use of this document is subject to a confidentiality and nondisclosure agreement with Great Lakes Case & Cabinet Co., Inc. (GLCC) and may not be reproduced, disclosed or utilized in whole or in part without prior written authorization from GLCC.

PART NUMBER:	BPB24
QTY PER UNIT:	1
MATERIAL TYPE:	CRS
MATERIAL GAUGE:	#16 GA
FINISH:	-
DRAWN	DATE
WSS	5/28/2004
CHECKED & APP.	DATE
J.A.L.	6/1/04

TITLE	ENHANCED BRUSH GROMMET BOTTOM KIT - 24" WIDE FRAME.		
	GREAT LAKES CASE & CABINET CO., INC. P.O. BOX 551 EDINBORO, PA 16412 PHONE (814) 734-7303 FAX (814) 734-3907 E-MAIL glcc@greatcabinets.com		
DWG NO:	1002226	REV	1
		SHEET: 1 OF 2	





#10-32 x 1/2" SCREW

BRUSH GROMMET
BOTTOM PANEL
ASSEMBLY

REAR COVER
PLATE

#10-32 x 1/2" SCREW

BASE OF XX01E-2432
E-SERIES CABINET

INTERPRET DRAWING PER ASME Y14.5M-1994
DIMENSIONAL LIMITS APPLY
AFTER APPLICATION OF FINISH
DRAWING NOT TO SCALE
TOLERANCE UNLESS OTHERWISE NOTED:
ANGULAR +/- 1°
.XXXX +/- .010
.XXX +/- .015
.XX +/- .030
.X FOR REF. ONLY

NOTICE:

Use of this document is subject to a confidentiality and nondisclosure agreement with Great Lakes Case & Cabinet Co., Inc. (GLCC) and may not be reproduced, disclosed or utilized in whole or in part without prior written authorization from GLCC.

PART NUMBER:
BPB24
QTY PER UNIT: 1
MATERIAL TYPE:
CRS
MATERIAL GAUGE:
FINISH:
-
DRAWN DATE
JL 9/8/2005
CHECKED & APP. DATE
WSS 9-7-05

TITLE
**ENHANCED BRUSH GROMMET BOTTOM KIT -
24" WIDE FRAME**
GREAT LAKES CASE & CABINET CO., INC.
P.O. BOX 551 EDINBORO, PA 16412
PHONE (814) 734-7303 FAX (814) 734-3907
E-MAIL glcc@greatcabinets.com



THIRD ANGLE
PROJECTION

UNLESS OTHERWISE SPECIFIED
ALL DIMENSIONS ARE IN INCHES

DWG NO:
1002226

REV
1

SHEET: 2 OF 2