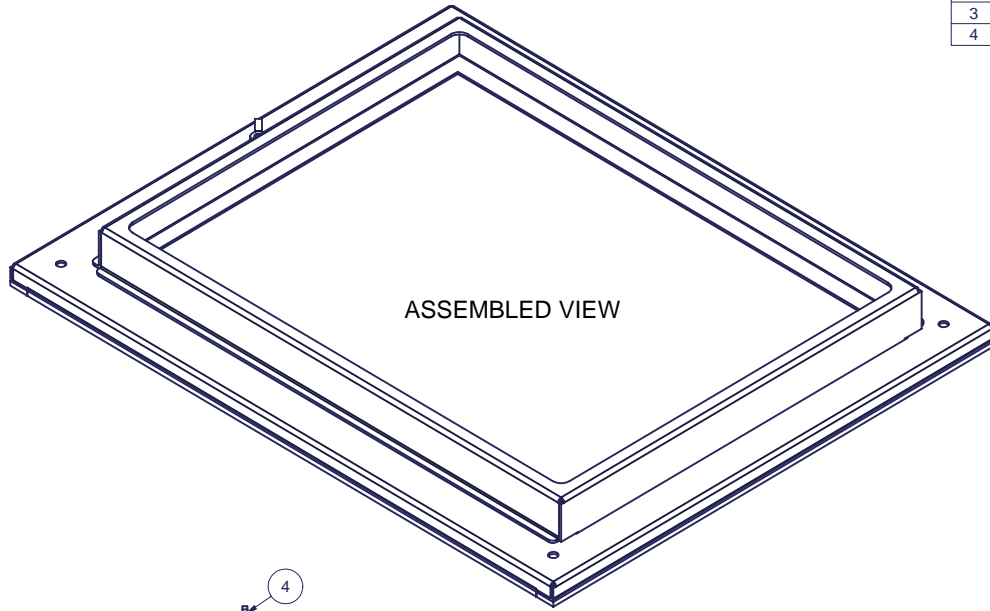
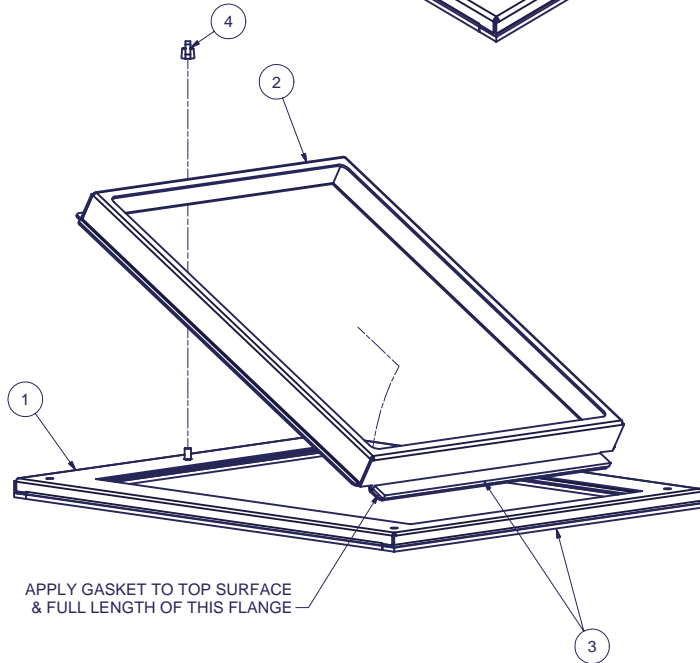
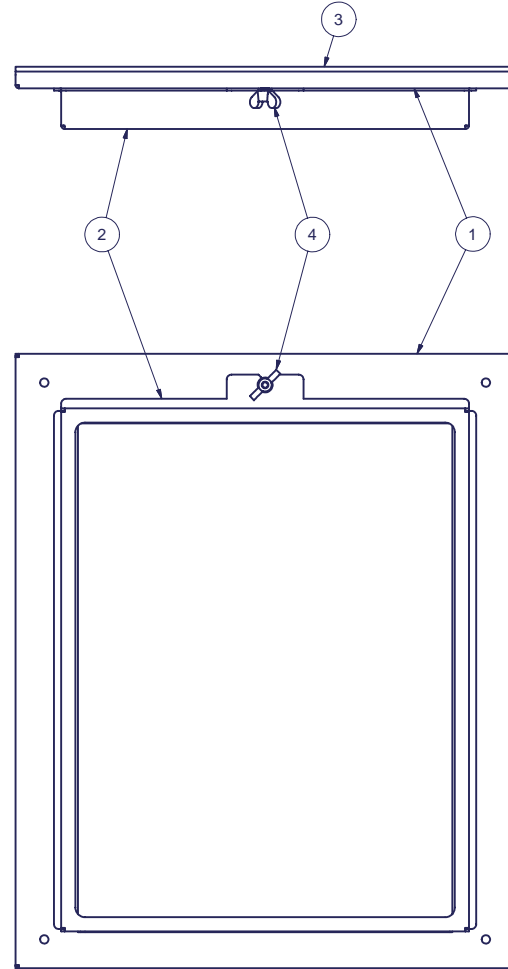


REVISION HISTORY			
REV	DESCRIPTION	DATE	APPROVED
4	ECO# 01757	6/21/2006	billn
5	ECO-02683	10/12/2009	FED

Bill of Material						
ITEM	PART NUMBER	STOCK NUMBER	QTY	DESCRIPTION	FILE NAME	REVISION
1	-		1	BOTTOM FILTER PANEL FOR E CABINETS	I000493.iam	5
2			1	BOTTOM PANEL FILTER BRACKET FOR E CABINETS	I000494.ipt	2
3	GASKET1/2		5' - 6"	1/8" X 1/2" NEOPRENE GASKET WITH PSA		
4	10/32WING		1	#10-32 WING NUT 2ZN36616	10-32WING.ipt	-



ASSEMBLED VIEW



APPLY GASKET TO TOP SURFACE
& FULL LENGTH OF THIS FLANGE

EXPLODED VIEW

NOTE:

1) REFER TO PURCHASE ORDER - SPECIAL INSTRUCTIONS MAY APPLY.

INTERPRET DRAWING PER ASME Y14.5M-1994
DIMENSIONAL LIMITS APPLY AFTER APPLICATION OF FINISH
DRAWING NOT TO SCALE
TOLERANCE UNLESS OTHERWISE NOTED:
ANGULAR +/- 1°
.XXXX +/- .010
.XXX +/- .015
.XX +/- .030
.X FOR REF. ONLY
UNLESS OTHERWISE SPECIFIED ALL DIMENSIONS ARE IN INCHES

NOTICE:

Use of this document is subject to a confidentiality and nondisclosure agreement with Great Lakes Case & Cabinet Co., Inc. (GLCC) and may not be reproduced, disclosed or utilized in whole or in part without prior written authorization from GLCC.

PART NUMBER:	BPEFX100
QTY PER UNIT:	1
MATERIAL TYPE:	CRS
MATERIAL GAUGE:	
FINISH:	
DRAWN	SB 7-24-02
CHECKED	WSS 7-24-02

TITLE	BOTTOM PANEL, FILTERED FOR E CABINETS, ASSEMBLY		
GREAT LAKES CASE & CABINET CO., INC.			
P.O. BOX 551 EDINBORO, PA 16412			
PHONE (814) 734-7303 FAX (814) 734-3907			
E-MAIL glcc@greatcabinets.com			
DWG NO:	I000492	REV	5
SHEET 1 OF 1			