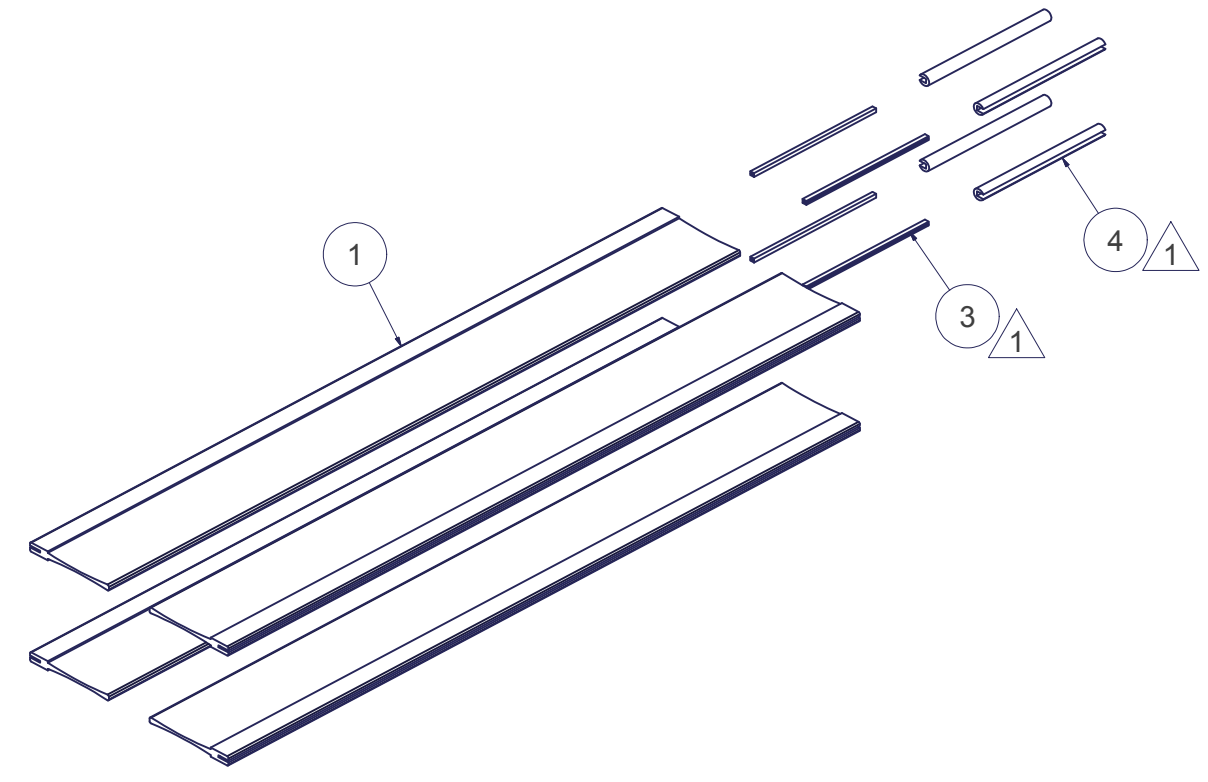


REVISION HISTORY			
REV	DESCRIPTION	DATE	APPROVED
0	ECO-06687	9/25/2015	VL
1	ECO-06683	4/28/2016	FED

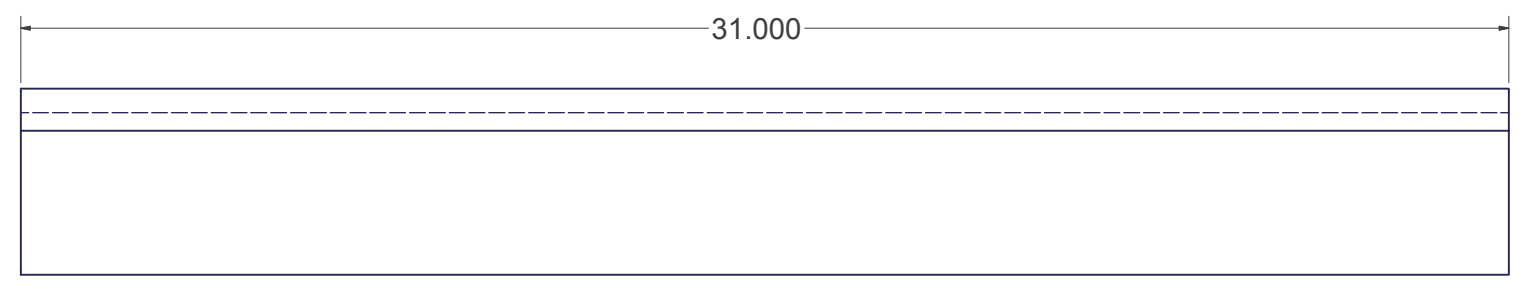
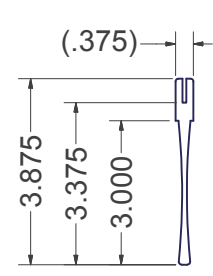
Bill of Material						
ITEM	PART NUMBER	STOCK NUMBER	QTY	DESCRIPTION	FILE NAME	REV
1		S48-003-31.00	4	BRUSH STRIP FOR ES CABINET, FLEXIBLE PVC, 3" TRIM, CUT 31.00" LG. (TANIS INC.)	S48-003-31.00.ipt	0
2	I024927-PRINT		1	COPY OF THIS DRAWING I024927	I024927.idw	
3	X1001		4	TRIM-LOK EDGE GROMMET, CUT TO 6" LENGTH	X1001x6LG.ipt	0
4	X1002		4	TRIM-LOK EDGE GROMMET, CUT TO 6" LENGTH	X1004x6LG.ipt	-



NOTE:

- 1.) (4) PIECES OF 31" LONG BRUSH GROMMET, (8) PIECES OF 6" LONG EDGE GROMMET AND A COPY OF THIS DRAWING ARE TO BE PLACED IN A CORRUGATED PACK.

GROMMET KIT SUPPLIED TO FIT 79"H x 48"D ENCLOSURE



EST. WEIGHT :
3.42 lbmass

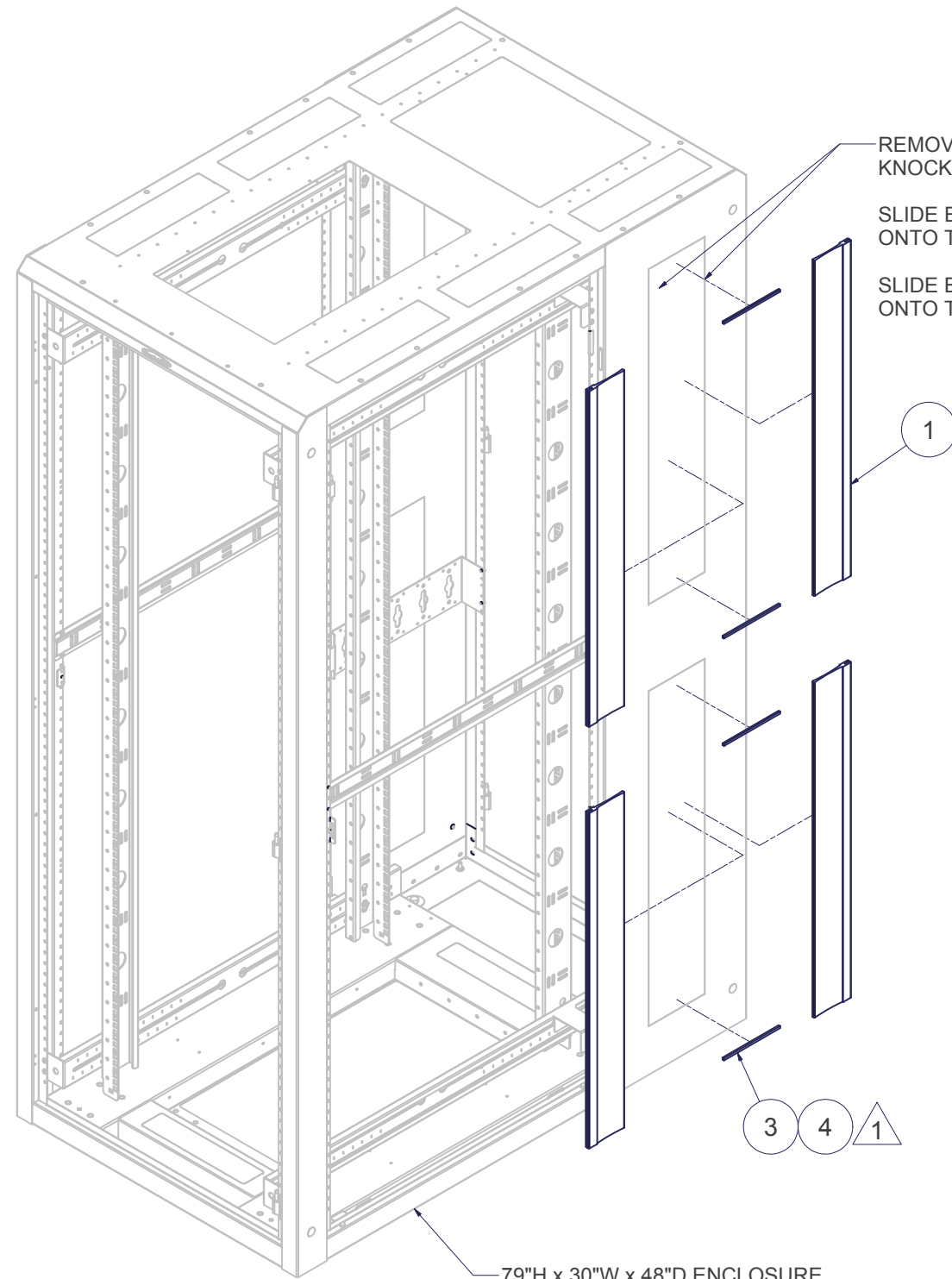


INTERPRET DRAWING PER ASME Y14.5M-1994
DIMENSIONAL LIMITS APPLY
AFTER APPLICATION OF FINISH
DRAWING NOT TO SCALE
TOLERANCE UNLESS OTHERWISE NOTED:
ANGULAR +/- .1"
.XXXX +/- .010
.XXX +/- .015
.XX +/- .030
.X FOR REF. ONLY
UNLESS OTHERWISE SPECIFIED
ALL DIMENSIONS ARE IN INCHES

NOTICE:
Use of this document is subject to a confidentiality and nondisclosure agreement with Great Lakes Case & Cabinet Co., Inc. (GLCC) and may not be reproduced, disclosed or utilized in whole or in part without prior written authorization from GLCC.


PART NUMBER:
BGS7948X200
QTY PER UNIT: 1
MATERIAL TYPE:
SEE PARTS LIST
MATERIAL GAUGE:
FINISH:
DRAWN VL DATE 9/25/2015
CHECKED & APP. WSS DATE 9/28/2015

TITLE
BRUSH GROMMET SIDE PASS THRU KIT FOR 79"H X 48"D ENCLOSURE
GREAT LAKES CASE & CABINET CO., INC.
P.O. BOX 551 EDINBORO, PA 16412
PHONE (814) 734-7303 FAX (814) 734-3907
E-MAIL glcc@greatcabinets.com
DWG NO: **1024927**
REV: **1**
SHEET: 1 OF 2

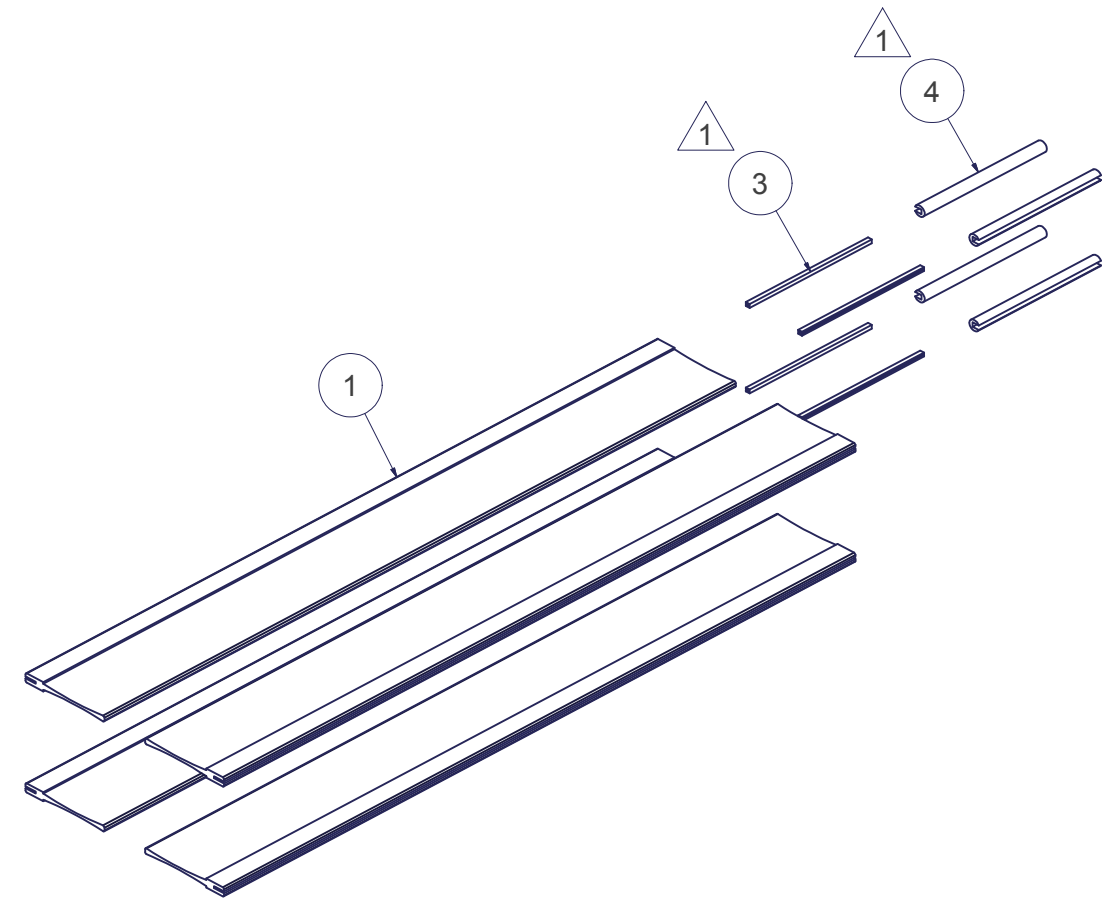


79"H x 30"W x 48"D ENCLOSURE
SHOWN FOR REFERENCE ONLY

REMOVE ANY SIDE RECTANGULAR
KNOCK-OUTS REQUIRED.

SLIDE EDGE GROMMETS (ITEMS 3 or 4)
ONTO TWO OPPOSING SHORT EDGES. 

SLIDE BRUSH GROMMETS (ITEM 1)
ONTO TWO OPPOSING LONG SIDES.



GROMMET KIT SUPPLIED TO FIT 79"H x 48"D ENCLOSURE

EST. WEIGHT :
3.42 lbmass



INTERPRET DRAWING PER ASME Y14.5M-1994
DIMENSIONAL LIMITS APPLY
AFTER APPLICATION OF FINISH
DRAWING NOT TO SCALE
TOLERANCE UNLESS OTHERWISE NOTED:
ANGULAR +/- 1°
.XXXX +/- .010
.XXX +/- .015
.XX +/- .030
.X FOR REF. ONLY
UNLESS OTHERWISE SPECIFIED
ALL DIMENSIONS ARE IN INCHES

NOTICE:
Use of this document is subject to
a confidentiality and nondisclosure
agreement with Great Lakes Case
& Cabinet Co., Inc. (GLCC) and may
not be reproduced, disclosed or
utilized in whole or in part without
prior written authorization from GLCC.

PART NUMBER:
BGS7948X200
QTY PER UNIT: 1
MATERIAL TYPE:
MATERIAL GAUGE:
FINISH:
DRAWN DATE: 9/25/2015
VL
CHECKED & APP. DATE: 9/28/2015
WSS

TITLE
**BRUSH GROMMET SIDE PASS THRU KIT FOR
79"H X 48"D ENCLOSURE**
GREAT LAKES CASE & CABINET CO., INC.
P.O. BOX 551 EDINBORO, PA 16412
PHONE (814) 734-7303 FAX (814) 734-3907
E-MAIL glcc@greatcabinets.com
DWG NO: **1024927** REV: **1** SHEET: 2 OF 2