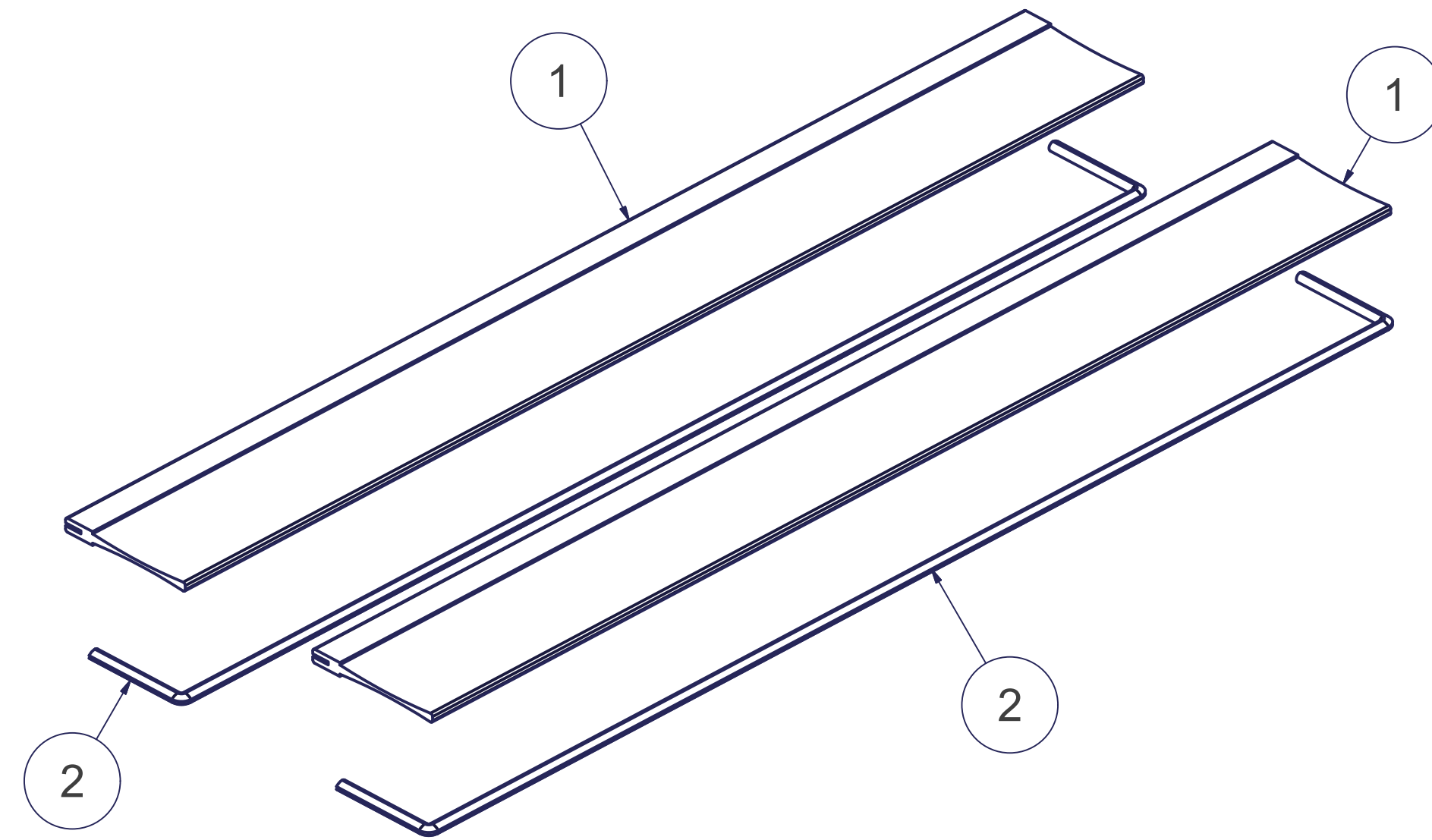


REVISION HISTORY			
REV	DESCRIPTION	DATE	APPROVED
0	ECO-06687	9/25/2015	VL

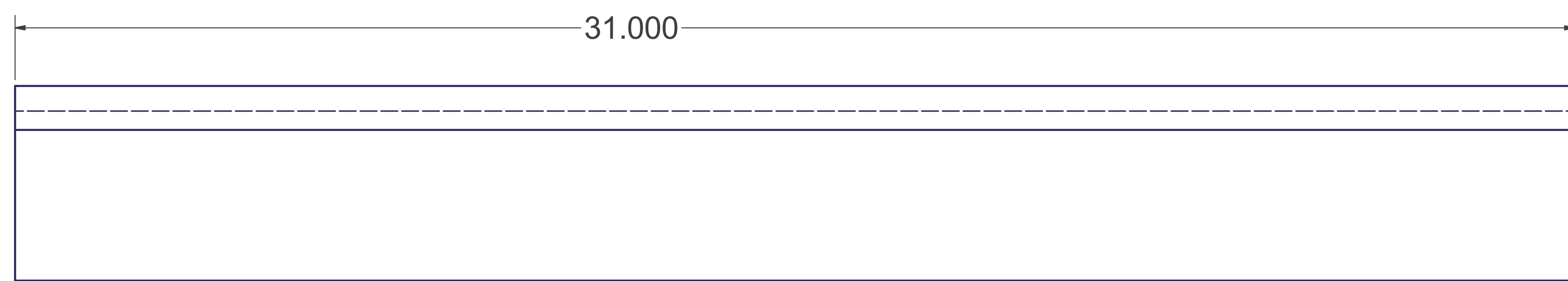
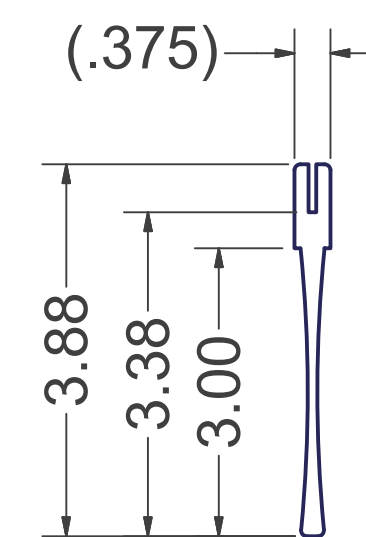
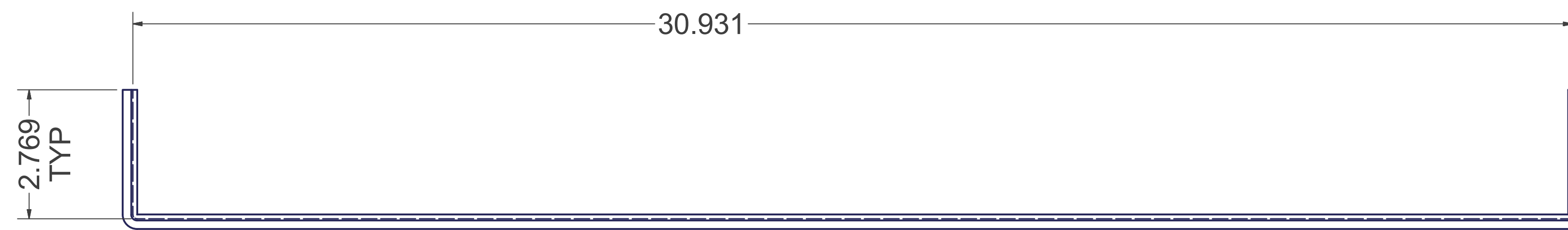
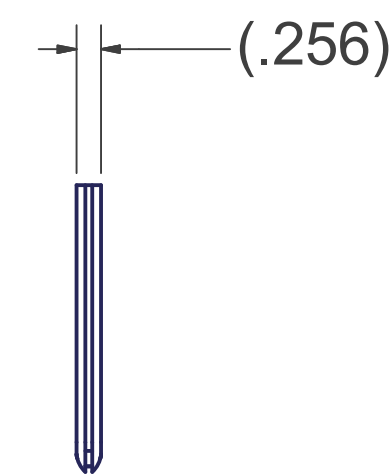
Bill of Material						
ITEM	PART NUMBER	STOCK NUMBER	QTY	DESCRIPTION	FILE NAME	REV
1	FPVC123072(31)		2	BRUSH STRIP, FLEXIBLE PVC, 3" TRIM, CUT 31" LG. (TANIS INC.)	FPVC123072(31).ipt	-
2	X1002		2	'TRIM-LOK' EDGE GROMMET, NEOPRENE RUBBER - CUT TO 36.50"L	EDGE-GASKET-36-5.ipt	0
3	I024926-PRINT		1	COPY OF THIS DRAWING I024926	I024926.idw	



NOTE:

- 1.) TWO PIECES OF 31" LONG BRUSH GROMMET, TWO PIECES OF 36-1/2" LONG EDGE GROMMETING AND A COPY OF THIS DRAWING ARE TO BE PLACED IN A CORRUGATED PACK.

GROMMET KIT SUPPLIED TO FIT 79"H x 42"D ENCLOSURE



EST. WEIGHT :
1.75 lbmass



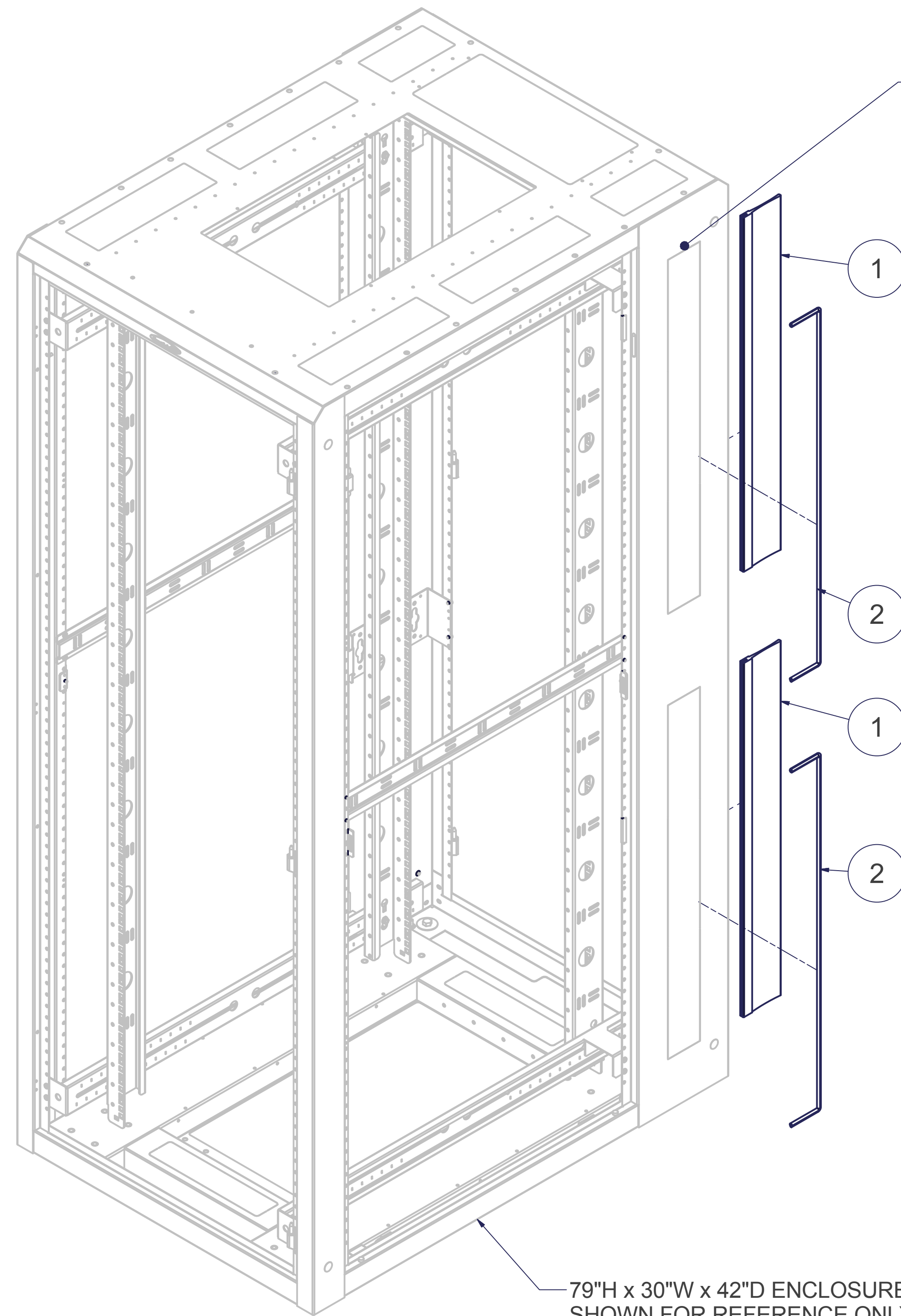
INTERPRET DRAWING PER ASME Y14.5M-1994
DIMENSIONAL LIMITS APPLY AFTER APPLICATION OF FINISH
DRAWING NOT TO SCALE
TOLERANCE UNLESS OTHERWISE NOTED:
ANGULAR +/- 1°
.XXXX +/- .010
.XXX +/- .015
.XX +/- .030
.X FOR REF. ONLY
UNLESS OTHERWISE SPECIFIED ALL DIMENSIONS ARE IN INCHES

NOTICE:

Use of this document is subject to a confidentiality and nondisclosure agreement with Great Lakes Case & Cabinet Co., Inc. (GLCC) and may not be reproduced, disclosed or utilized in whole or in part without prior written authorization from GLCC.

PART NUMBER: BGS79X200	
QTY PER UNIT: 1	
MATERIAL TYPE: SEE PARTS LIST	
MATERIAL GAUGE: -	
FINISH: -	
DRAWN VL	DATE 9/25/2015
CHECKED & APP. WSS	DATE 9/28/2015

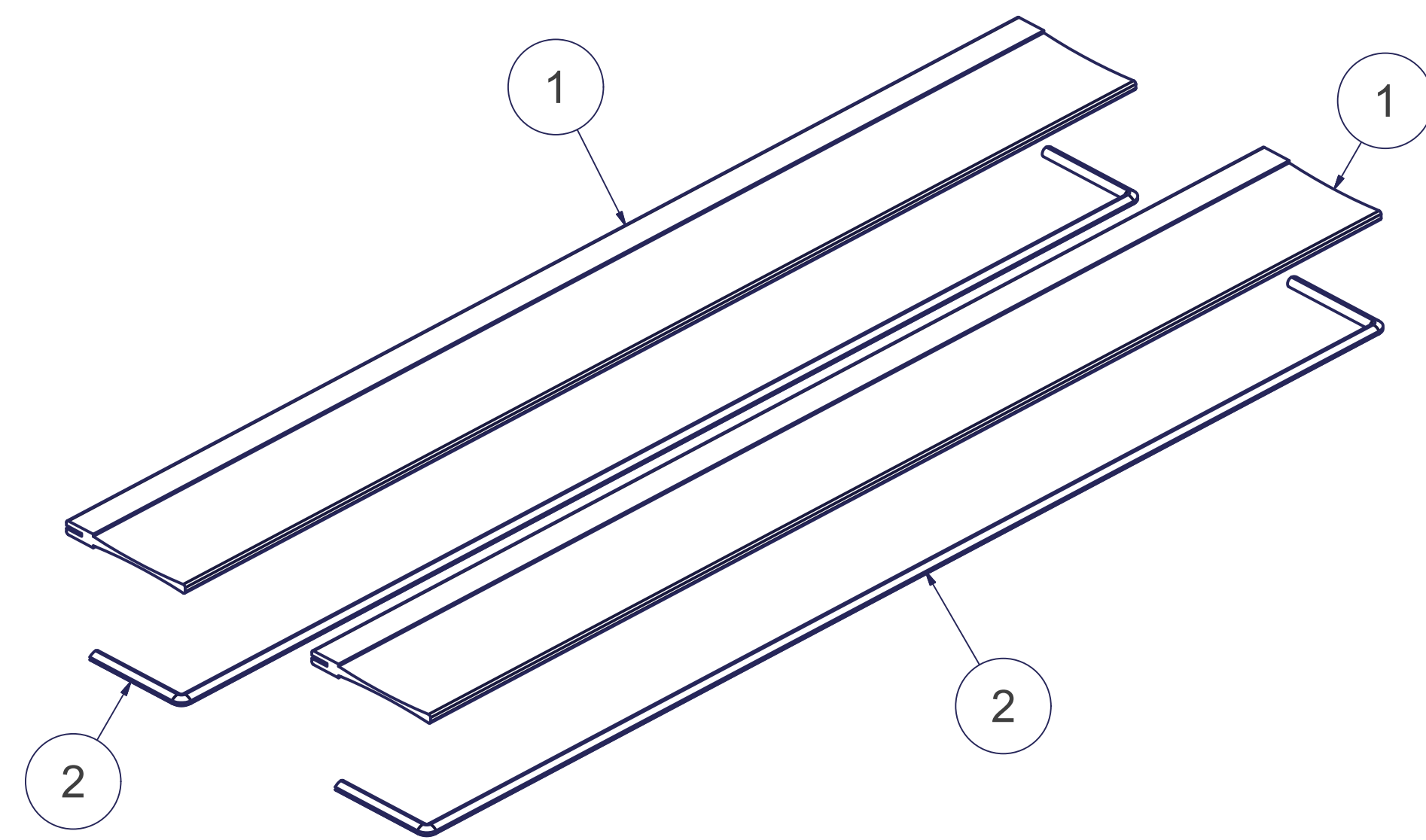
TITLE BRUSH GROMMET SIDE PASS THRU KIT FOR 79"H X 42"D ENCLOSURE	
GREAT LAKES CASE & CABINET CO., INC. P.O. BOX 551 EDINBORO, PA 16412 PHONE (814) 734-7303 FAX (814) 734-3907 E-MAIL glcc@greatcabinets.com	
DWG NO: 1024926	REV 0
SHEET: 1 OF 2	



79"H x 30"W x 42"D ENCLOSURE SHOWN FOR REFERENCE ONLY

REMOVE ANY SIDE RECTANGULAR KNOCK-OUTS REQUIRED. CENTER THE EDGE GROMMET STRIP (ITEM 2) ALONG ONE LONG SIDE AND ROLL IT INTO POSITION UNTIL FULLY ENGAGED ALONG THREE ADJOINING EDGES.

THEN SLIDE THE BRUSH GROMMET (ITEM 1) ONTO THE REMAINING EDGE.



GROMMET KIT SUPPLIED TO FIT 79"H x 42"D ENCLOSURE

EST. WEIGHT :
1.75 lbmass



INTERPRET DRAWING PER ASME Y14.5M-1994
DIMENSIONAL LIMITS APPLY
AFTER APPLICATION OF FINISH
DRAWING NOT TO SCALE
TOLERANCE UNLESS OTHERWISE NOTED:
ANGULAR +/- .1"
.XXXX +/- .010
.XXX +/- .015
.XX +/- .030
.X FOR REF. ONLY

UNLESS OTHERWISE SPECIFIED
ALL DIMENSIONS ARE IN INCHES

NOTICE:

Use of this document is subject to a confidentiality and nondisclosure agreement with Great Lakes Case & Cabinet Co., Inc. (GLCC) and may not be reproduced, disclosed or utilized in whole or in part without prior written authorization from GLCC.

PART NUMBER:
BGS79X200
QTY PER UNIT: 1
MATERIAL TYPE:
MATERIAL GAUGE:
FINISH:
DRAWN VL DATE 9/25/2015
CHECKED & APP. WSS DATE 9/28/2015

TITLE
BRUSH GROMMET SIDE PASS THRU KIT FOR 79"H X 42"D ENCLOSURE
GREAT LAKES CASE & CABINET CO., INC.
P.O. BOX 551 EDINBORO, PA 16412
PHONE (814) 734-7303 FAX (814) 734-3907
E-MAIL glcc@greatcabinets.com
DWG NO: 1024926
REV 0
SHEET: 2 OF 2