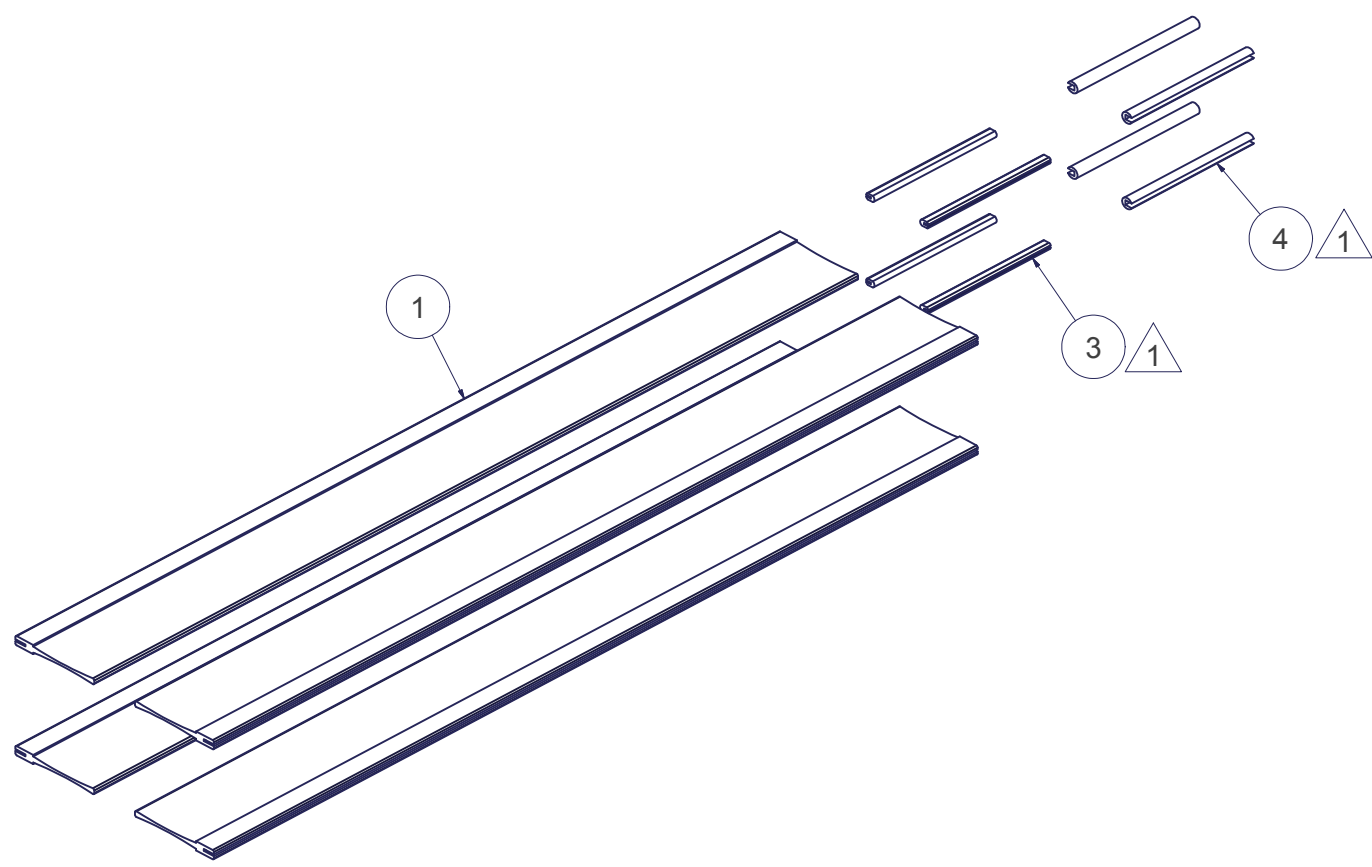


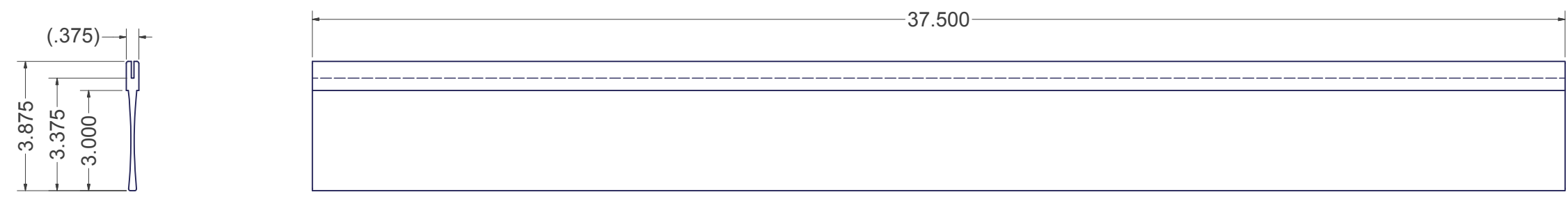
REVISION HISTORY			
REV	DESCRIPTION	DATE	APPROVED
0	ECO-06687	9/25/2015	VL
1	ECO-066843	4/28/2016	FED

Bill of Material						
ITEM	PART NUMBER	STOCK NUMBER	QTY	DESCRIPTION	FILE NAME	REV
1		S48-003-37.50	4	BRUSH STRIP, FLEXIBLE PVC, 3" TRIM, CUT 37.5" LG. (TANIS INC.)	S48-003-37.50.ipt	-
2	I024928-PRINT		1	COPY OF THIS DRAWING I024928	I024928.idw	-
3	X1002		4	TRIM-LOK EDGE GROMMET, NEOPRENE RUBBER, CUT TO 6" LENGTH	X1002x6LG.ipt	-
4	X1004		4	TRIM-LOK EDGE GROMMET, NEOPRENE RUBBER, CUT TO 6" LENGTH	X1004x6LG.ipt	-

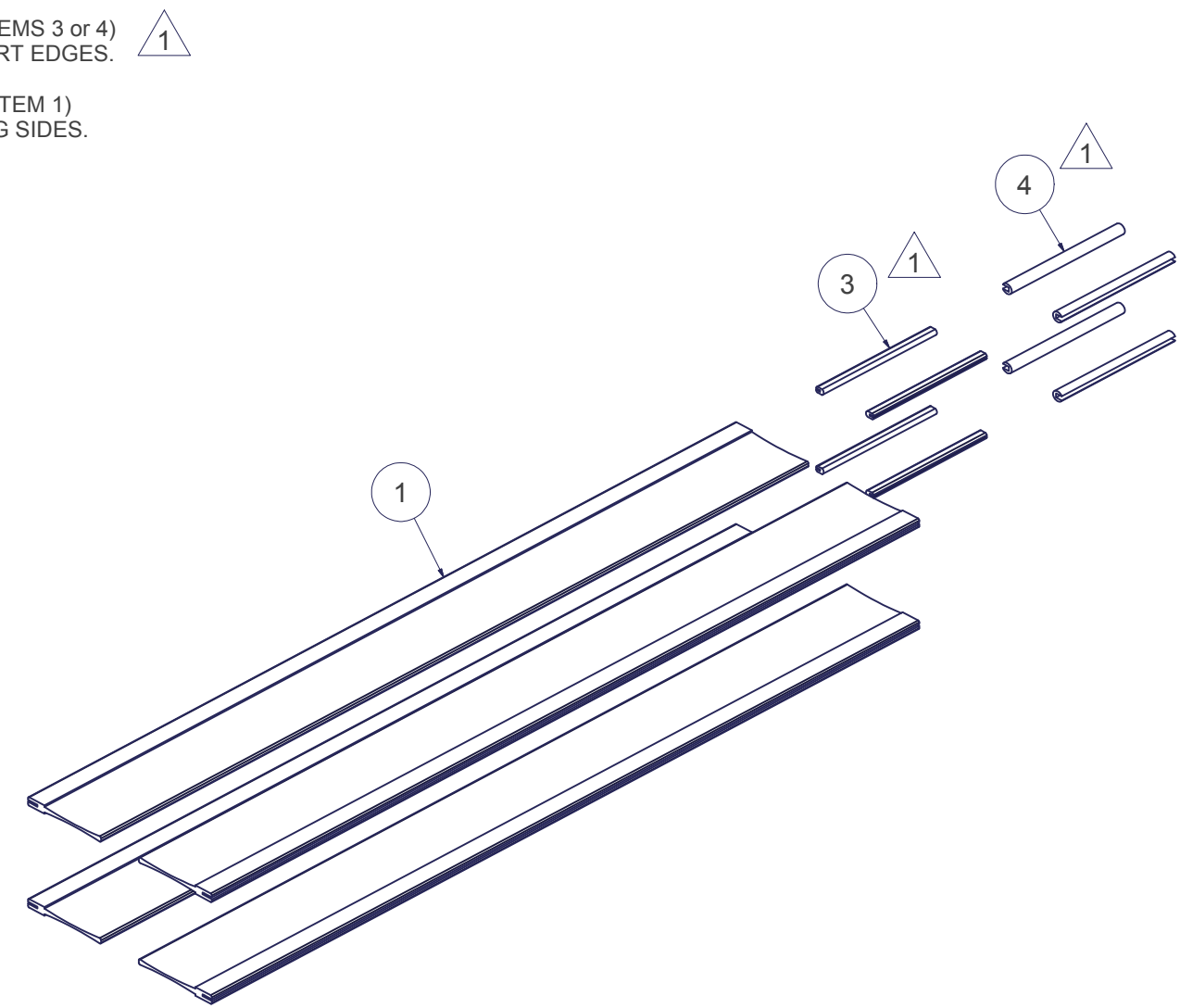
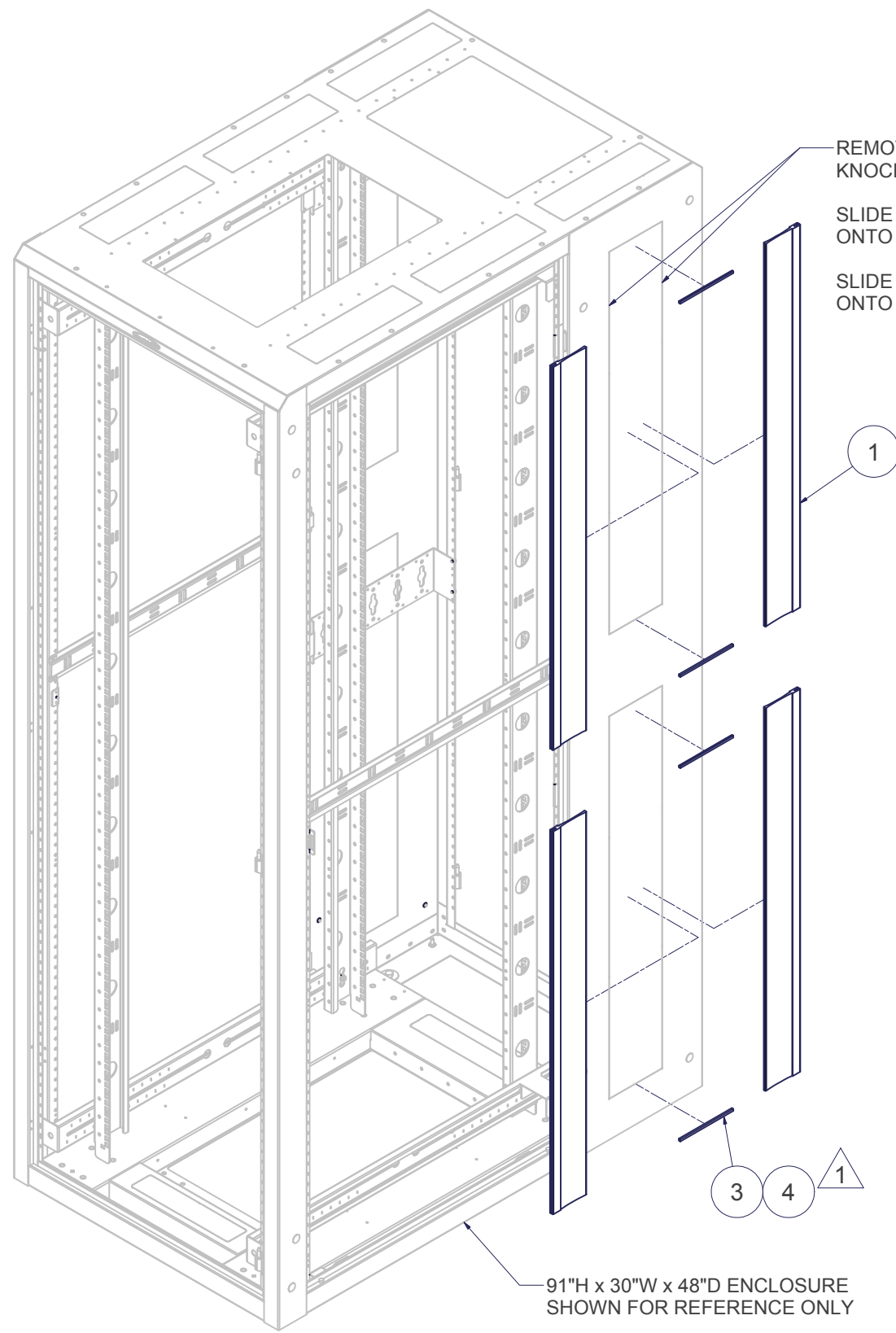


**NOTE:**  
 1.) (4) PIECES OF 37-1/2" LONG BRUSH GROMMET, (8) PIECES OF 6" LONG EDGE GROMMET AND A COPY OF THIS DRAWING ARE TO BE PLACED IN A CORRUGATED PACK.

GROMMET KIT SUPPLIED TO FIT 91"H x 48"D ENCLOSURE



INTERPRET DRAWING PER ASME Y14.5M-1994 DIMENSIONAL LIMITS APPLY AFTER APPLICATION OF FINISH DRAWING NOT TO SCALE TOLERANCE UNLESS OTHERWISE NOTED: ANGULAR +/- .1" .XXXX +/- .010 .XXX +/- .015 .XX +/- .030 .X FOR REF. ONLY	<b>NOTICE:</b> Use of this document is subject to a confidentiality and nondisclosure agreement with Great Lakes Case & Cabinet Co., Inc. (GLCC) and may not be reproduced, disclosed or utilized in whole or in part without prior written authorization from GLCC.	PART NUMBER: <b>BGS9148X200</b>	TITLE <b>BRUSH GROMMET SIDE PASS THRU KIT FOR 91"H X 48"D ENCLOSURE</b>
		QTY PER UNIT: 1	
EST. WEIGHT: 4.16 lbmass	THIRD ANGLE PROJECTION	FINISH: -	GREAT LAKES CASE & CABINET CO., INC. P.O. BOX 551 EDINBORO, PA 16412 PHONE (814) 734-7303 FAX (814) 734-3907 E-MAIL glcc@greatcabinets.com
DWG NO. <b>1024928</b>	DATE 9/25/2015	REV <b>1</b>	SHEET: 1 OF 2



GROMMET KIT SUPPLIED TO FIT 91"H x 48"D ENCLOSURE

EST. WEIGHT :  
4.16 lbmass



INTERPRET DRAWING PER ASME Y14.5M-1994  
DIMENSIONAL LIMITS APPLY  
AFTER APPLICATION OF FINISH  
DRAWING NOT TO SCALE  
TOLERANCE UNLESS OTHERWISE NOTED:  
ANGULAR +/- .1°  
.XXXX +/- .010  
.XXX +/- .015  
.XX +/- .030  
.X FOR REF. ONLY  
UNLESS OTHERWISE SPECIFIED  
ALL DIMENSIONS ARE IN INCHES

**NOTICE:**  
Use of this document is subject to a confidentiality and nondisclosure agreement with Great Lakes Case & Cabinet Co., Inc. (GLCC) and may not be reproduced, disclosed or utilized in whole or in part without prior written authorization from GLCC.

PART NUMBER:  
BGS9148X200  
QTY PER UNIT: 1  
MATERIAL TYPE:  
MATERIAL GAUGE:  
FINISH:  
DRAWN DATE: 9/25/2015  
VL  
CHECKED & APP. DATE: 9/28/2015  
WSS

TITLE  
**BRUSH GROMMET SIDE PASS THRU KIT FOR 91"H X 48"D ENCLOSURE**  
GREAT LAKES CASE & CABINET CO., INC.  
P.O. BOX 551 EDINBORO, PA 16412  
PHONE (814) 734-7303 FAX (814) 734-3907  
E-MAIL glcc@greatcabinets.com  
DWG NO: 1024928  
REV 1  
SHEET: 2 OF 2