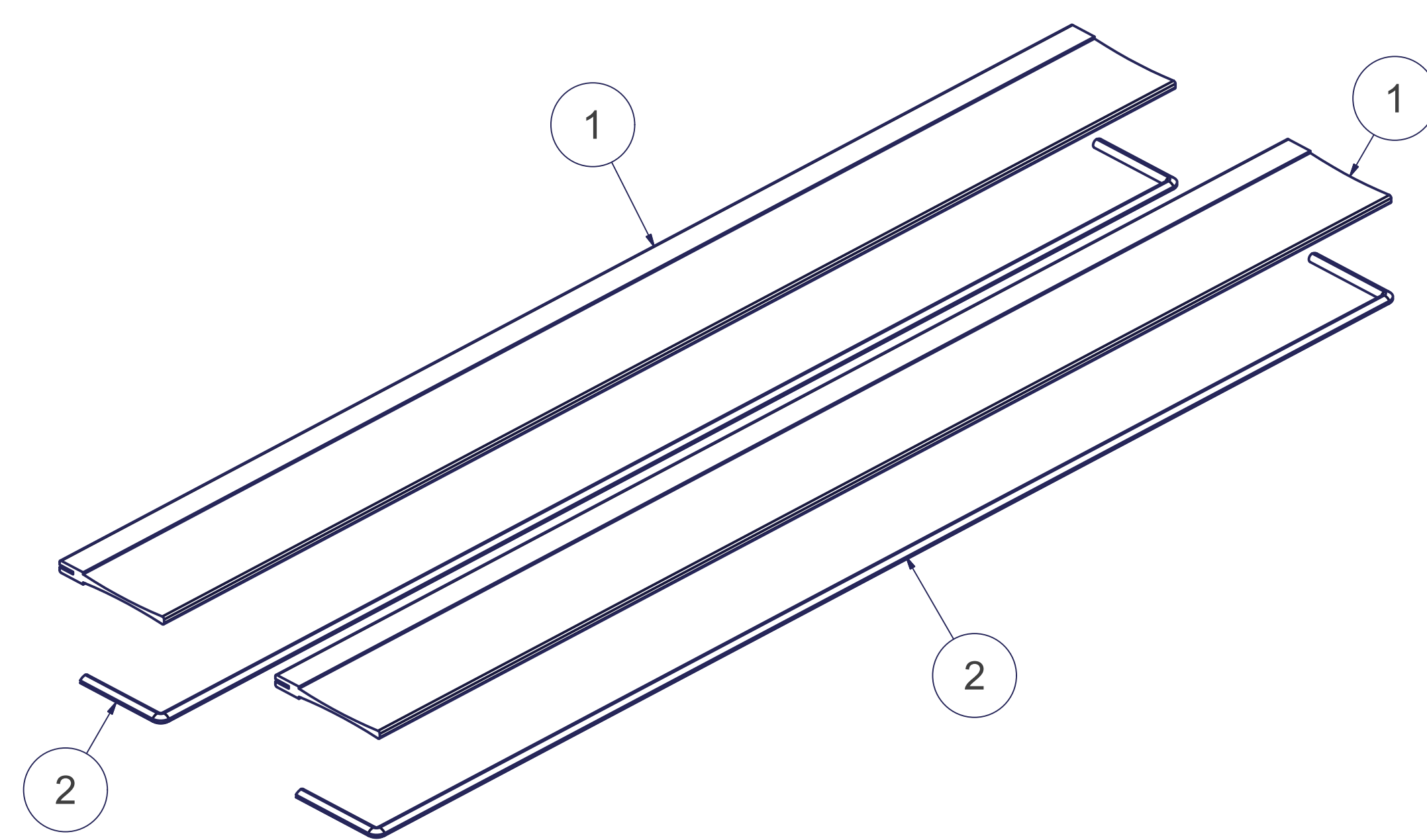


REVISION HISTORY			
REV	DESCRIPTION	DATE	APPROVED
0	ECO-03999	8/30/2013	CDM
1	ECO-06577	6/3/2015	FED
2	ECO-06687	9/25/2015	VL

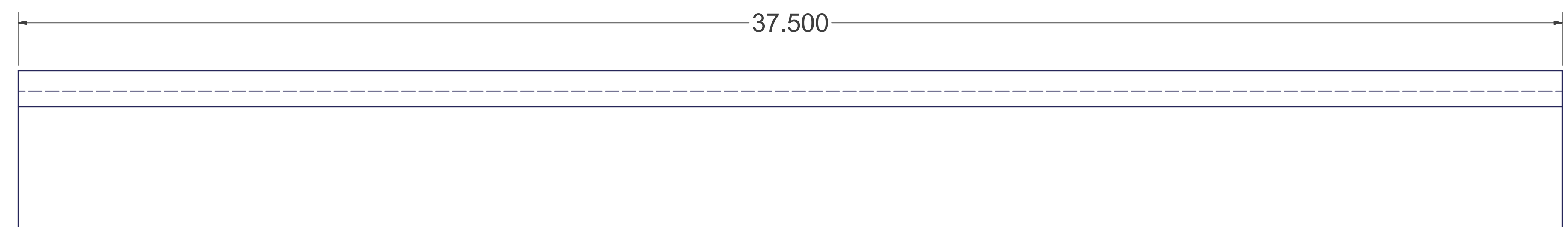
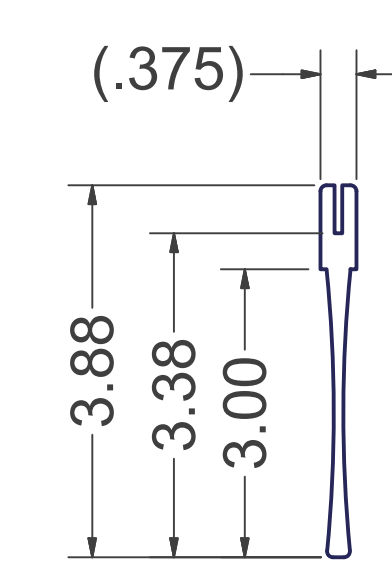
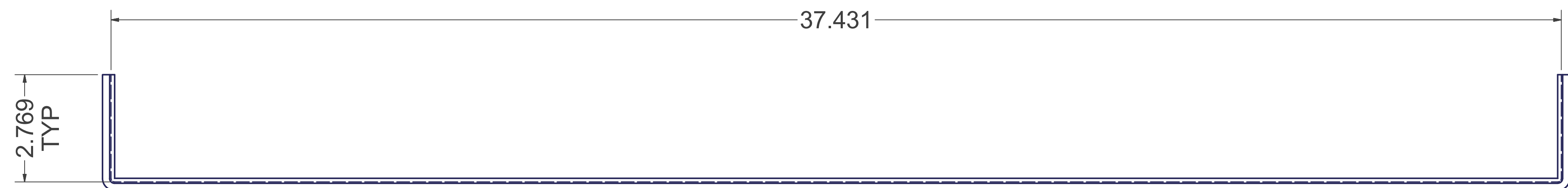
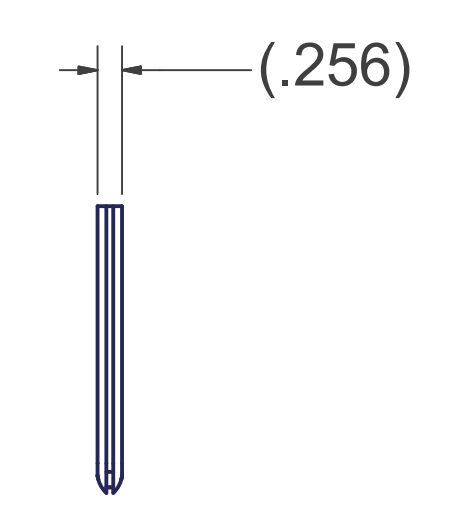
Bill of Material						
ITEM	PART NUMBER	STOCK NUMBER	QTY	DESCRIPTION	FILE NAME	REV
1	FPVC123072(37.5)		2	BRUSH STRIP, FLEXIBLE PVC, 3" TRIM, CUT 37.5" LG. (TANIS INC.)	FPVC123072(37.5).ipt	0
2	X1002		2	"TRIM-LOK" EDGE GROMMET, NEOPRENE RUBBER - CUT TO 43"L	EDGE-GASKET-43.ipt	0
3	I019706-PRINT		1	COPY OF THIS DRAWING I019706	I019706.idw	



NOTE:

1.) TWO PIECES OF 37-1/2" LONG BRUSH GROMMET, TWO PIECES OF 43" LONG EDGE GROMMETING AND A COPY OF THIS DRAWING ARE TO BE PLACED IN A CORRUGATED PACK.

GROMMET KIT SUPPLIED TO FIT 91"H x 42"D ENCLOSURE 1



EST. WEIGHT :
2.12 lbmass

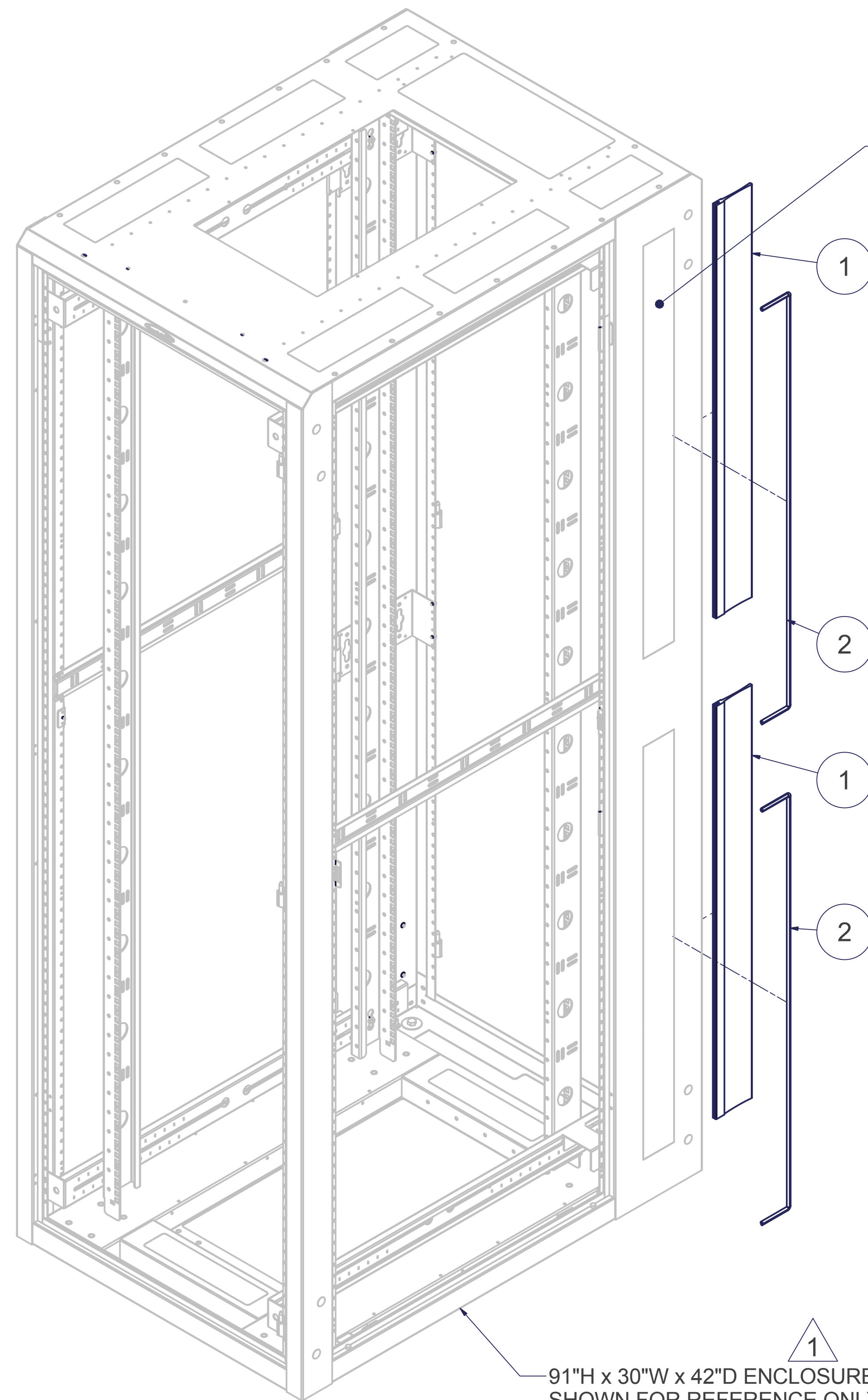


INTERPRET DRAWING PER ASME Y14.5M-1994
DIMENSIONAL LIMITS APPLY
AFTER APPLICATION OF FINISH
DRAWING NOT TO SCALE
TOLERANCE UNLESS OTHERWISE NOTED:
ANGULAR +/- 1'
.XXXX +/- .010
.XXX +/- .015
.XX +/- .030
.X FOR REF. ONLY
UNLESS OTHERWISE SPECIFIED
ALL DIMENSIONS ARE IN INCHES

NOTICE:
Use of this document is subject to a confidentiality and nondisclosure agreement with Great Lakes Case & Cabinet Co., Inc. (GLCC) and may not be reproduced, disclosed or utilized in whole or in part without prior written authorization from GLCC.

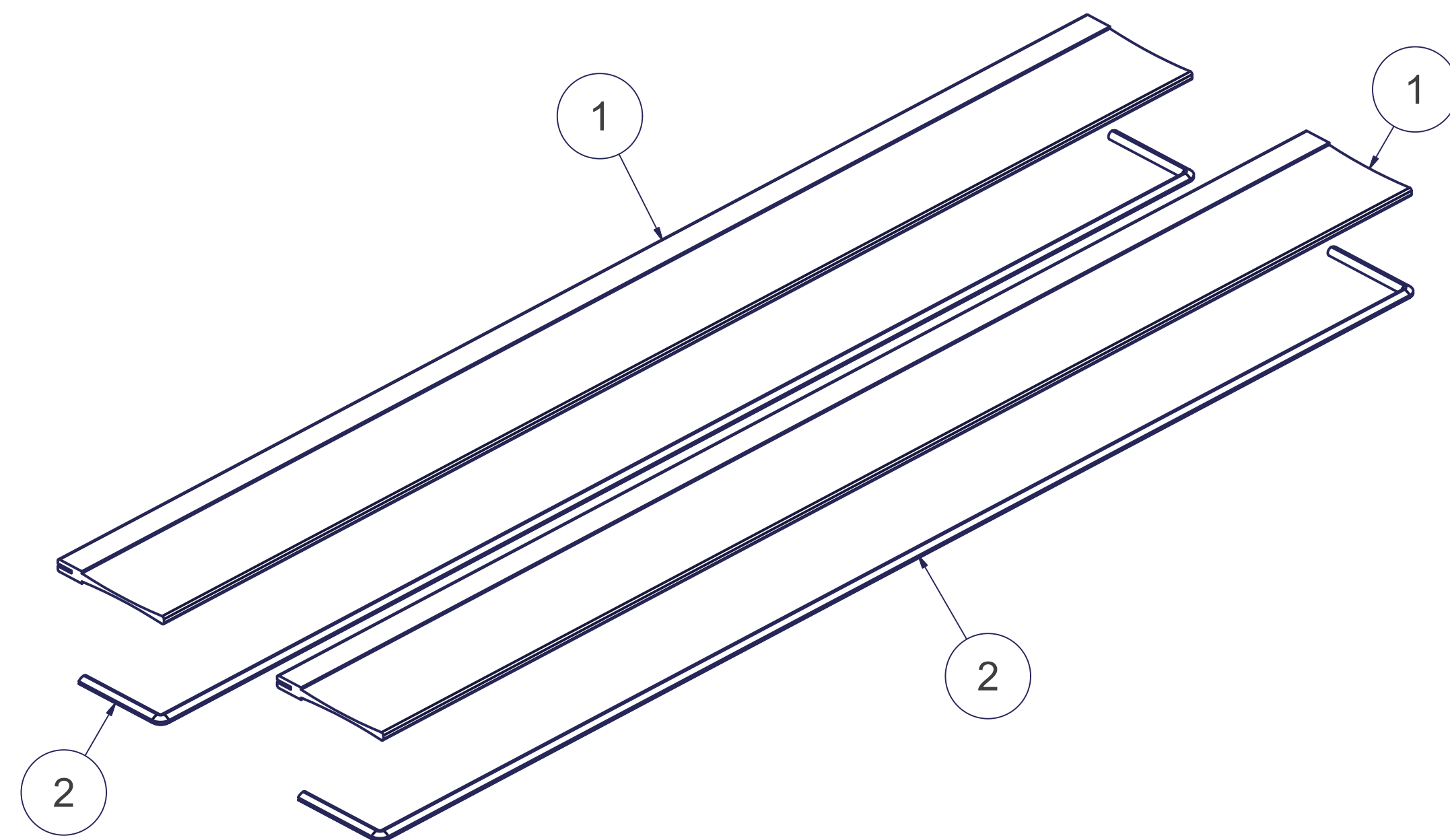
PART NUMBER:
BGS91X200
QTY PER UNIT: 1
MATERIAL TYPE:
SEE PARTS LIST
MATERIAL GAUGE:
FINISH: -
DRAWN: CDM DATE: 8/15/2013
CHECKED & APP.: WSS DATE: 8/30/2013

TITLE
BRUSH GROMMET SIDE PASS THRU KIT FOR 91"H X 42"D ENCLOSURE
GREAT LAKES CASE & CABINET CO., INC.
P.O. BOX 551 EDINBORO, PA 16412
PHONE (814) 734-7303 FAX (814) 734-3907
E-MAIL glcc@greatcabinets.com
DWG NO: **1019706**
REV: **2**
SHEET: 1 OF 2



1
 REMOVE ANY SIDE RECTANGULAR KNOCK-OUTS REQUIRED. CENTER THE EDGE GROMMET STRIP (ITEM 2) ALONG ONE LONG SIDE AND ROLL IT INTO POSITION UNTIL FULLY ENGAGED ALONG THREE ADJOINING EDGES.
 THEN SLIDE THE BRUSH GROMMET (ITEM 1) ONTO THE REMAINING EDGE.

1
 91"H x 30"W x 42"D ENCLOSURE SHOWN FOR REFERENCE ONLY



2
 GROMMET KIT SUPPLIED TO FIT 91"H x 42"D ENCLOSURE

EST. WEIGHT :
 2.12 lbmass



INTERPRET DRAWING PER ASME Y14.5M-1994
 DIMENSIONAL LIMITS APPLY AFTER APPLICATION OF FINISH
 DRAWING NOT TO SCALE
 TOLERANCE UNLESS OTHERWISE NOTED:
 ANGULAR +/- .1°
 .XXXX +/- .010
 .XXX +/- .015
 .XX +/- .030
 .X FOR REF. ONLY
 UNLESS OTHERWISE SPECIFIED ALL DIMENSIONS ARE IN INCHES

NOTICE:
 Use of this document is subject to a confidentiality and nondisclosure agreement with Great Lakes Case & Cabinet Co., Inc. (GLCC) and may not be reproduced, disclosed or utilized in whole or in part without prior written authorization from GLCC.

PART NUMBER:
 BGS91X200
 QTY PER UNIT: 1
 MATERIAL TYPE:
 MATERIAL GAUGE:
 FINISH:
 DRAWN DATE: 8/15/2013
 CDM DATE: 8/30/2013
 CHECKED & APP. DATE: 8/30/2013
 WSS

TITLE
BRUSH GROMMET SIDE PASS THRU KIT FOR 91" H X 42" D ENCLOSURE
 GREAT LAKES CASE & CABINET CO., INC.
 P.O. BOX 551 EDINBORO, PA 16412
 PHONE (814) 734-7303 FAX (814) 734-3907
 E-MAIL glcc@greatcabinets.com
 DWG NO: 1019706
 REV: 2
 SHEET: 2 OF 2