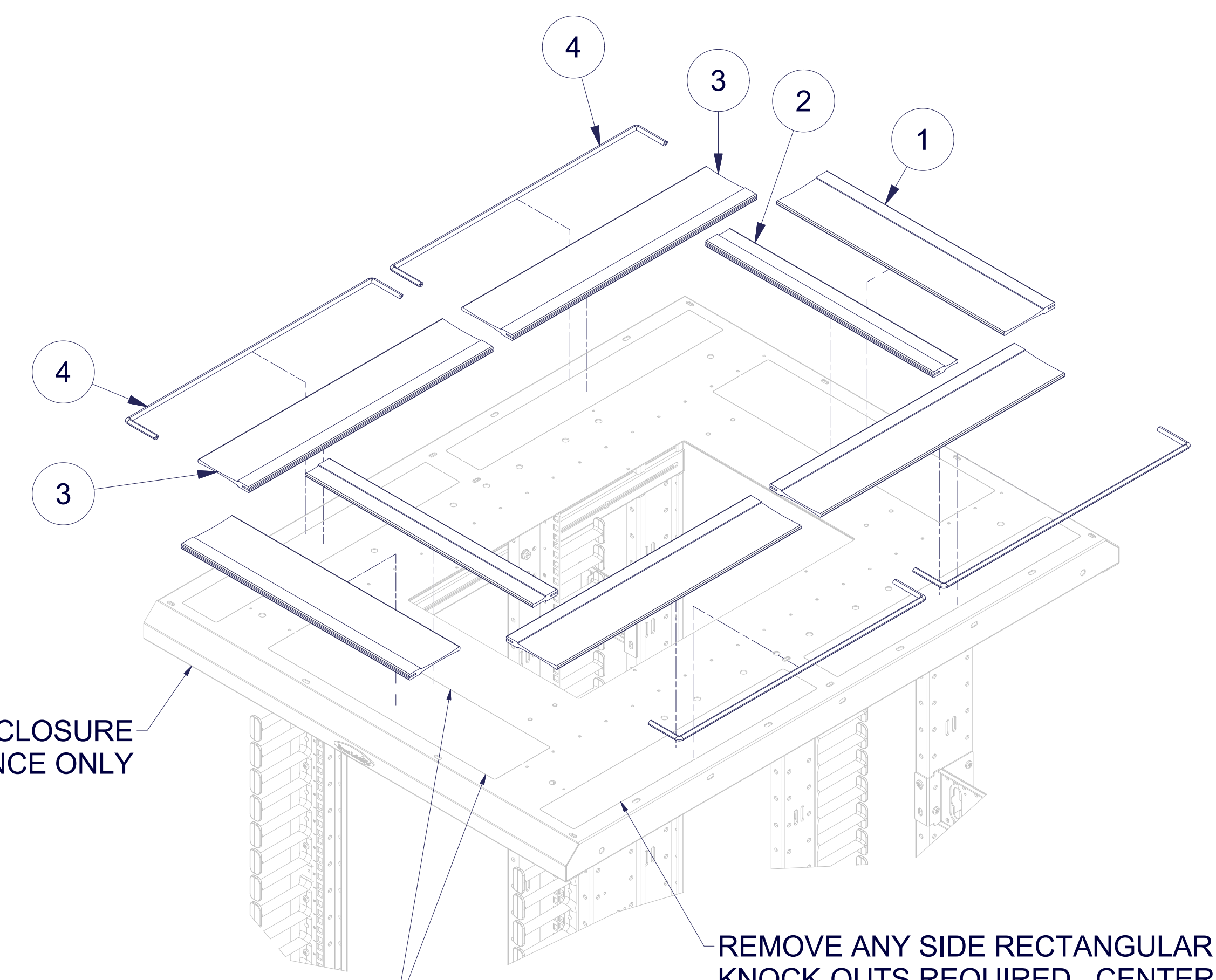
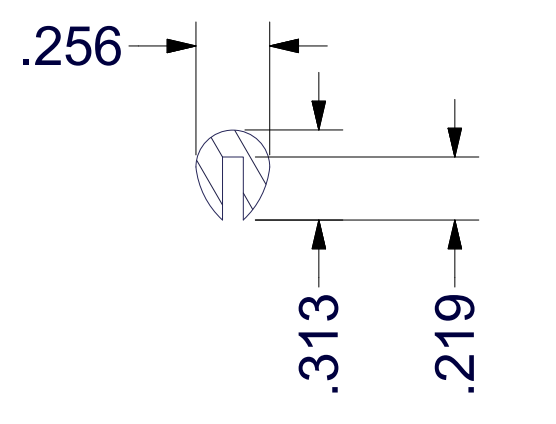
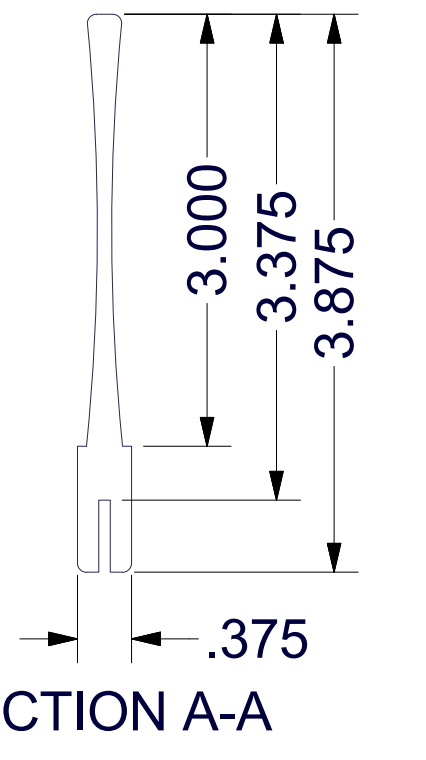
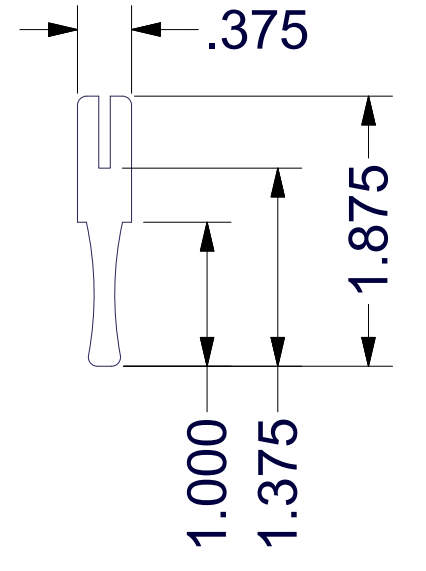
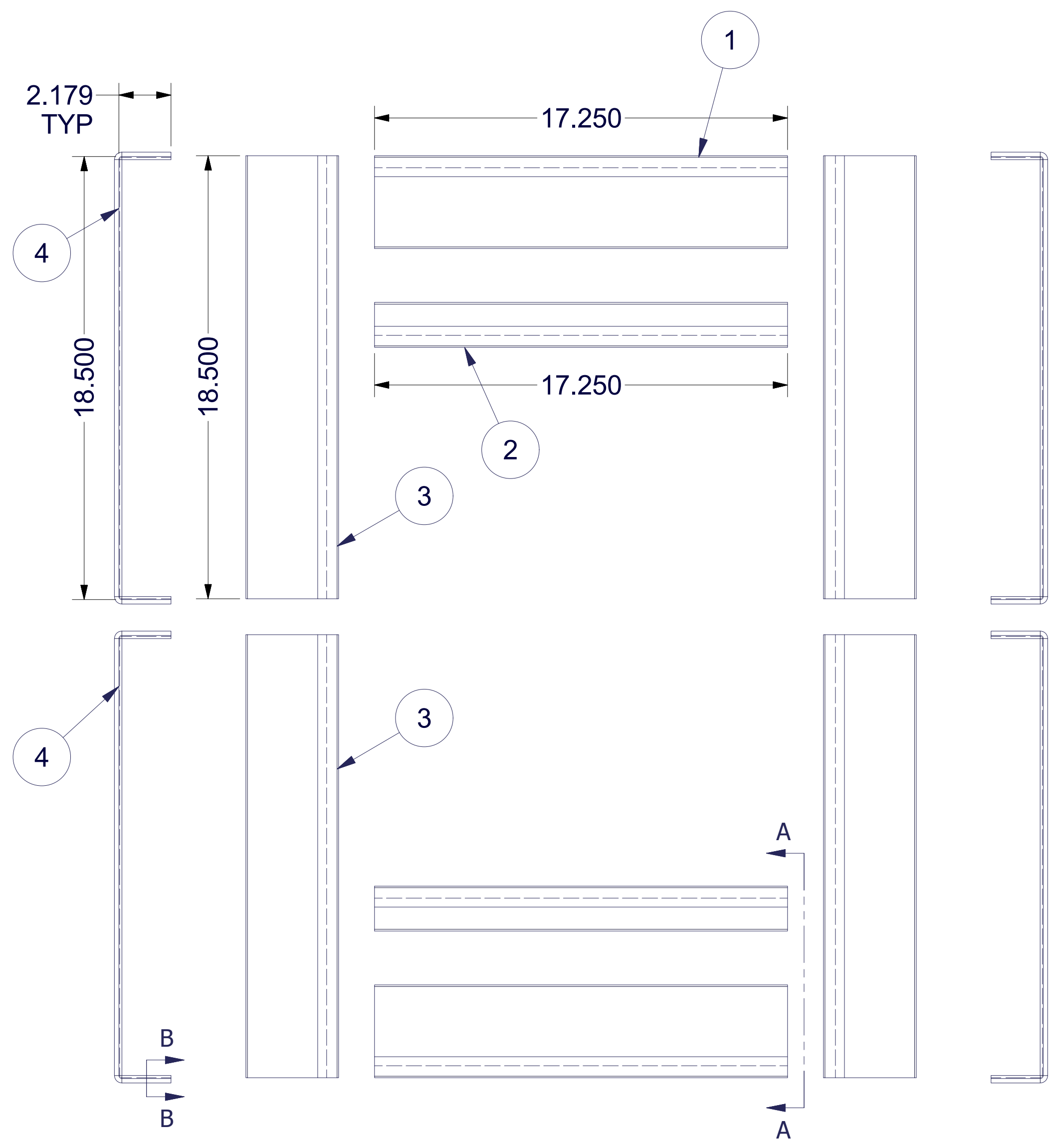


REVISION HISTORY			
REV	DESCRIPTION	DATE	APPROVED
0	ECO-06687	10/9/2015	VL

Bill of Material						
ITEM	PART NUMBER	STOCK #	QTY	DESCRIPTION	FILE NAME	Rev
1	FPVC123072(17.25)		2	BRUSH STRIP, FLEXIBLE PVC, 3" TRIM, CUT 17.25" LG. (TANIS INC.)	FPVC123072(17.25).ipt	-
2	FPVC121072(17.25)	S48-004-71.00	2	BRUSH STRIP, FLEXIBLE PVC, 1" TRIM, CUT 17.25" LG. (TANIS INC.)	FPVC121072(17.25).ipt	-
3	FPVC123072(18.5)		4	BRUSH STRIP, FLEXIBLE PVC, 3" TRIM, CUT 18.5" LG. (TANIS INC.)	FPVC123072(18.5).ipt	-
4	X1002(23.5)		4	'TRIM-LOK' EDGE GROMMET, NEOPRENE RUBBER - CUT TO 23.5"L	EDGE-GASKET-18.5.ipt	-
5	I024929-PRINT		1	COPY OF THIS DRAWING I024929	I024929.idw	-



32"W x 42"D ENCLOSURE
SHOWN FOR REFERENCE ONLY

REMOVE ANY FRONT OR BACK
RECTANGULAR KNOCK-OUTS REQUIRED

SLIDE BRUSH GROMMETS
ONTO TWO OPPOSING SIDE EDGES

REMOVE ANY SIDE RECTANGULAR
KNOCK-OUTS REQUIRED. CENTER
THE EDGE GROMMET STRIP
ALONG ONE LONG SIDE AND ROLL IT
INTO POSITION UNTIL FULLY ENGAGED
ALONG THREE ADJOINING EDGES.

THEN SLIDE THE BRUSH GROMMET
ONTO THE REMAINING EDGE.

SPECIAL NOTES:
1) PLACE (8) PIECES OF BRUSH GROMMET, (4) PIECES OF EDGE GROMMET AND A COPY OF THIS DRAWING INTO A CORRUGATED PACK.

EST. WEIGHT : N/A	INTERPRET DRAWING PER ASME Y14.5M-1994	NOTICE: Use of this document is subject to a confidentiality and nondisclosure agreement with Great Lakes Case & Cabinet Co., Inc. (GLCC) and may not be reproduced, disclosed or utilized in whole or in part without prior written authorization from GLCC.	PART NUMBER: BGT32EN42X200	TITLE: 32"W x 42"D 'EN' ENCLOSURES w/ BGT KIT
	DIMENSIONAL LIMITS APPLY AFTER APPLICATION OF FINISH DRAWING NOT TO SCALE TOLERANCE UNLESS OTHERWISE NOTED: ANGULAR +/- 1' .XXXX +/- .010 .XXX +/- .015 .XX +/- .030 .X FOR REF. ONLY		MATERIAL TYPE: SEE DETAIL MATERIAL GAUGE: FINISH: -	GREAT LAKES CASE & CABINET CO., INC. P.O. BOX 551 EDINBORO, PA 16412 PHONE (814) 734-7303 FAX (814) 734-3907 E-MAIL glcc@greatcabinets.com
THIRD ANGLE PROJECTION	UNLESS OTHERWISE SPECIFIED ALL DIMENSIONS ARE IN INCHES		DRAWN VL DATE 10/8/2015	DWG NO: I024929
			CHECKED & APP. WSS DATE 10/9/2015	REV 0
				SHEET: 1 OF 1