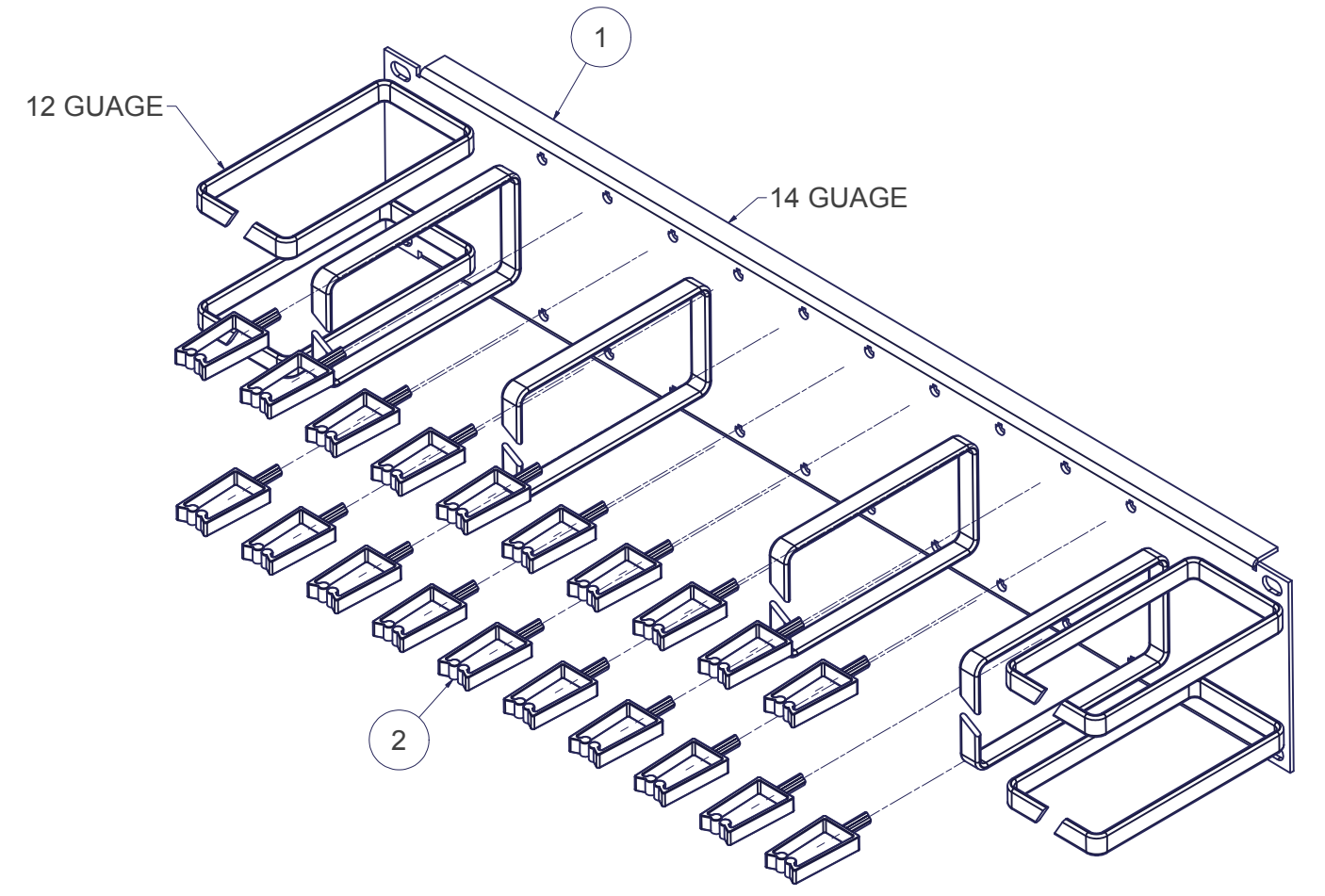
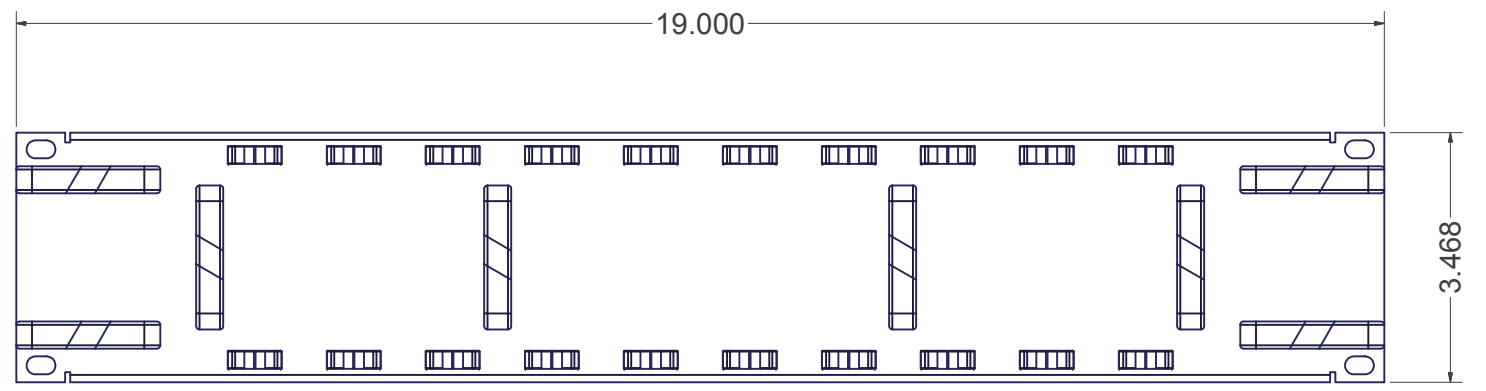
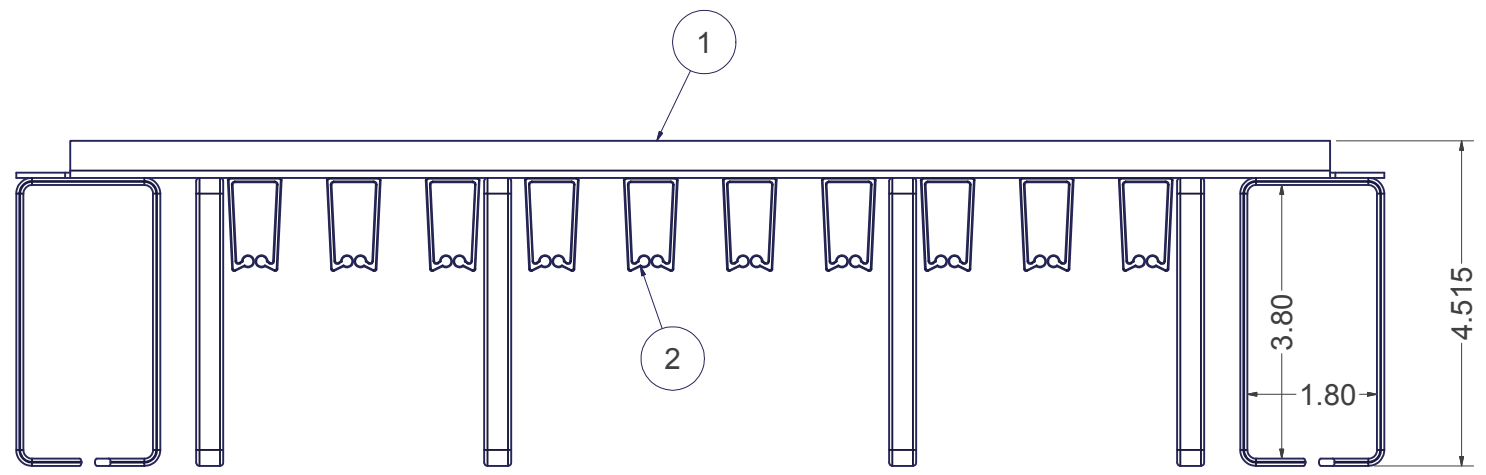


REVISION HISTORY			
REV	DESCRIPTION	DATE	APPROVED
3	ECO 03429	12/7/2011	CDM

Bill of Material						
ITEM	PART NUMBER	STOCK NUMBER	QTY	DESCRIPTION	FILE NAME	REV
1	CM08X100		1	CABLE MANAGEMENT CM08X100 WELDMENT	I015185.iam	5
2	CM02-08W	H13-005	20	ITW FASTEX PART #220-031212-05-0101 OR EQUIV.	CM02-08W.ipt	



SPECIAL NOTES:
 1) REFER TO PURCHASE ORDER. SPECIAL INSTRUCTIONS MAY APPLY
 2) INSERT CM02 INTO LOWTHER TOOLING #07707

INTERPRET DRAWING PER ASME Y14.5M-1994
 DIMENSIONAL LIMITS APPLY AFTER APPLICATION OF FINISH
 DRAWING NOT TO SCALE
 TOLERANCE UNLESS OTHERWISE NOTED:
 ANGULAR +/- 1°
 .XXXX +/- .010
 .XXX +/- .015
 .XX +/- .030
 .X FOR REF. ONLY
 UNLESS OTHERWISE SPECIFIED ALL DIMENSIONS ARE IN INCHES

NOTICE:
 Use of this document is subject to a confidentiality and nondisclosure agreement with Great Lakes Case & Cabinet Co., Inc. (GLCC) and may not be reproduced, disclosed or utilized in whole or in part without prior written authorization from GLCC.

PART NUMBER: CM08X200
 QTY PER UNIT: 1
 MATERIAL TYPE: _____
 MATERIAL GAUGE: _____
 FINISH: _____
 DRAWN DATE: 12/5/2011
 CDM DATE: 12/5/2011
 CHECKED & APP. DATE: 12/8/2011
 WSS

TITLE: STANDARD FRONT CABLE ORGANIZER
 GREAT LAKES CASE & CABINET CO., INC.
 P.O. BOX 551 EDINBORO, PA 16412
 PHONE (814) 734-7303 FAX (814) 734-3907
 E-MAIL glcc@greatcabinets.com
 DWG NO: I015184
 REV: 5
 SHEET: 1 OF 1

