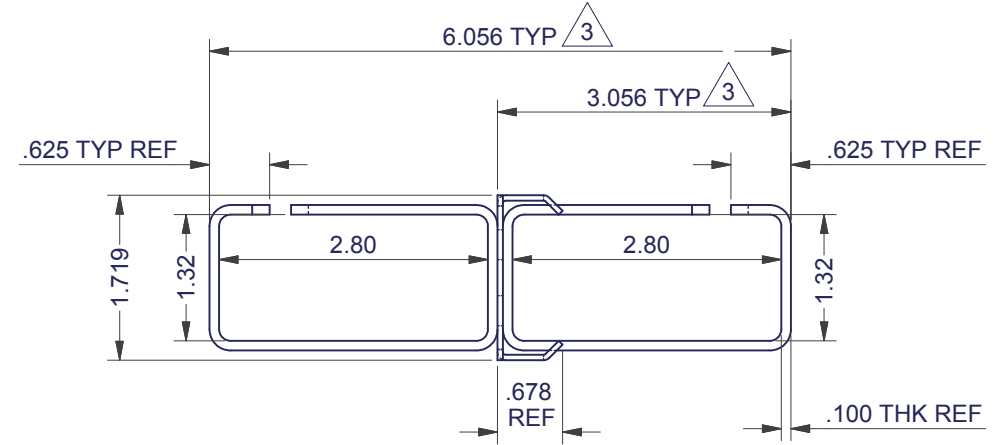
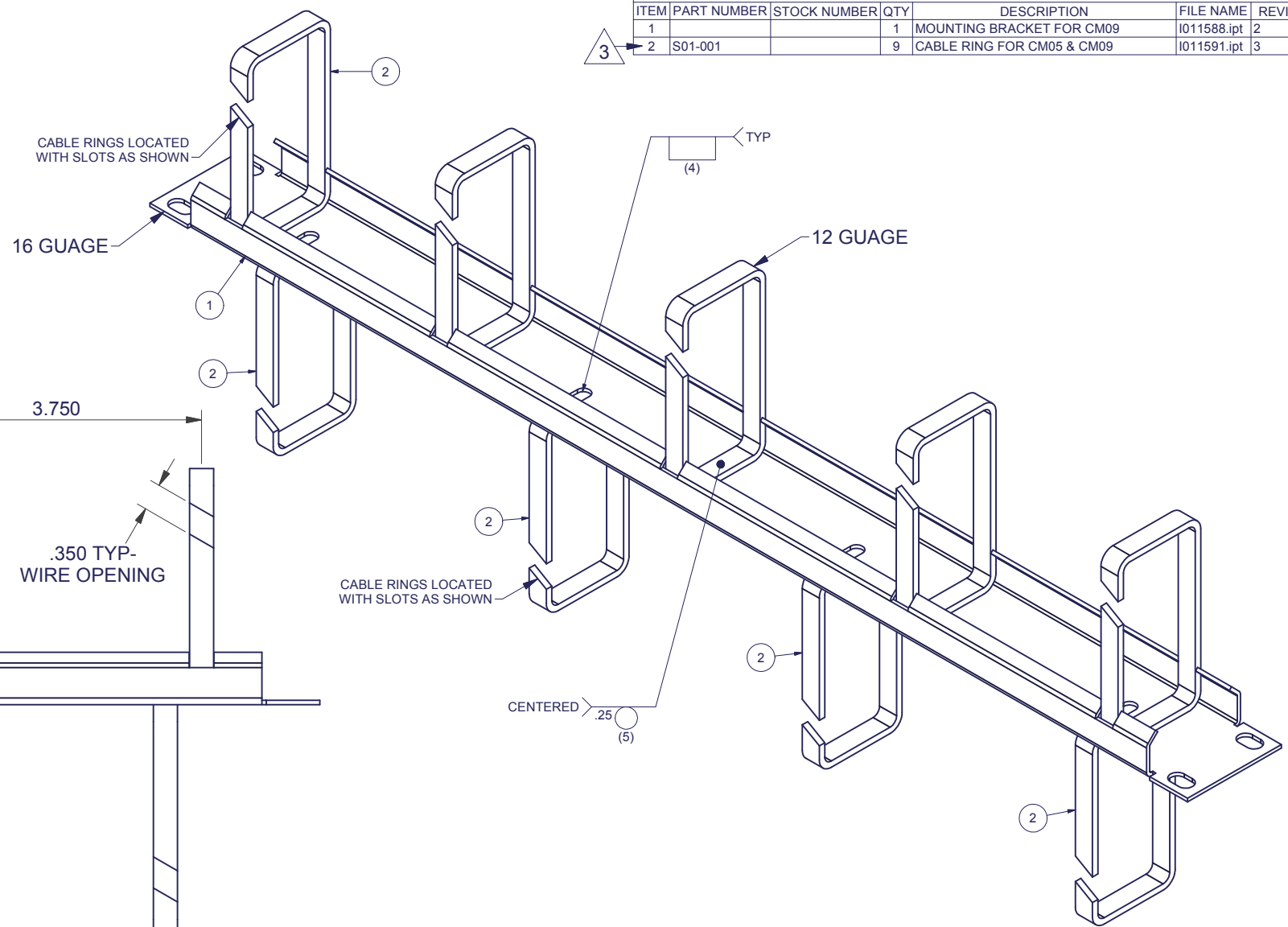
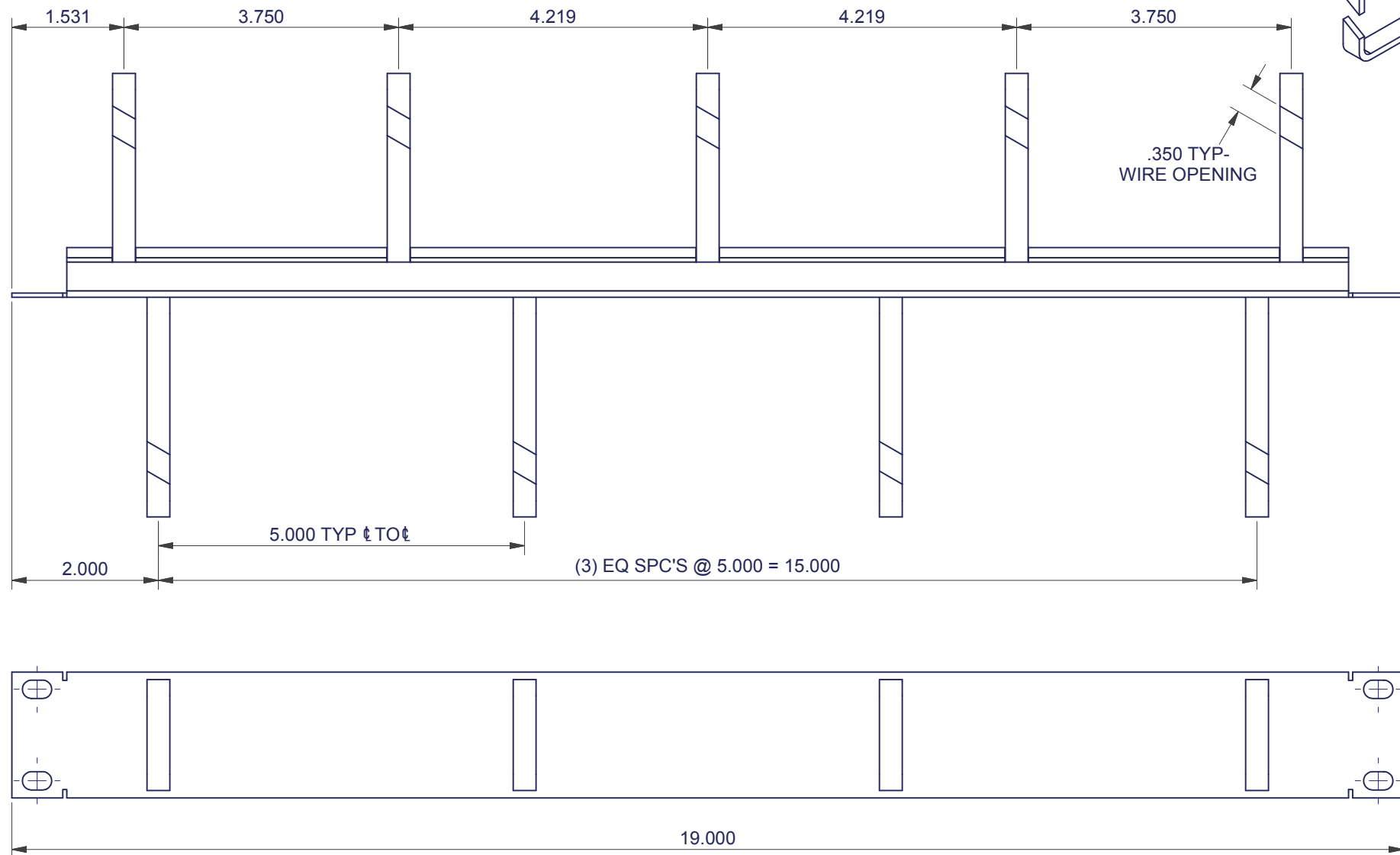


REVISION HISTORY			
REV	DESCRIPTION	DATE	APPROVED
2	ECO-02787	2/15/2010	FED
3	ECO-03254	6/14/2011	FED

Bill of Material						
ITEM	PART NUMBER	STOCK NUMBER	QTY	DESCRIPTION	FILE NAME	REVISION
1			1	MOUNTING BRACKET FOR CM09	I011588.ipt	2
2	S01-001		9	CABLE RING FOR CM05 & CM09	I011591.ipt	3

**NOTES:**

- DIMENSIONS APPLY BEFORE APPLICATION OF FINISH:  
ADD .005" TO EACH SURFACE FOR INSPECTION.**
- FINISH PER TD-09-103 (POWDER COAT), CLASS B,  
TEXTURE LEVEL 3, ALL SURFACES UNLESS OTHERWISE NOTED.**



INTERPRET DRAWING PER ASME Y14.5M-1994  
 DIMENSIONAL LIMITS APPLY  
 AFTER APPLICATION OF FINISH  
 DRAWING NOT TO SCALE  
 TOLERANCE UNLESS OTHERWISE NOTED:  
 ANGULAR +/- 1'  
 .XXXX +/- .010  
 .XXX +/- .015  
 .XX +/- .030  
 .X FOR REF. ONLY  
 UNLESS OTHERWISE SPECIFIED  
 ALL DIMENSIONS ARE IN INCHES

**NOTICE:**  
 Use of this document is subject to a confidentiality and nondisclosure agreement with Great Lakes Case & Cabinet Co., Inc. (GLCC) and may not be reproduced, disclosed or utilized in whole or in part without prior written authorization from GLCC.

PART NUMBER: **CM09**  
 QTY PER UNIT: 1  
 MATERIAL TYPE: CRS  
 MATERIAL GAUGE: SEE DETAILS  
 FINISH: SEE NOTES  
 DRAWN: FED  
 CHECKED & APP: WSS  
 DATE: 2/15/2010

TITLE: **CABLE MANAGEMENT CM09 WELDMENT/ ASSEMBLY, 19" EIA MOUNTING**  
 GREAT LAKES CASE & CABINET CO., INC.  
 P.O. BOX 551 EDINBORO, PA 16412  
 PHONE (814) 734-7303 FAX (814) 734-3907  
 E-MAIL glcc@greatcabinets.com  
 DWG NO: **I011587**  
 REV: **3**  
 SHEET: 1 OF 1

