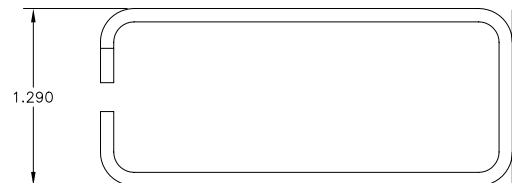
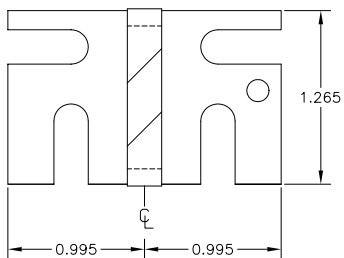
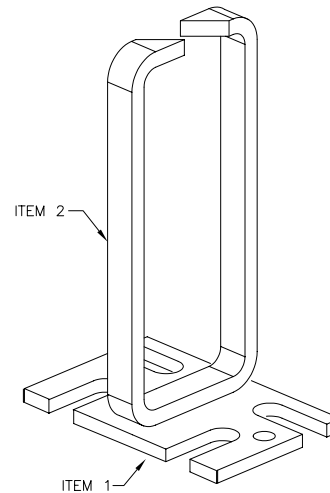
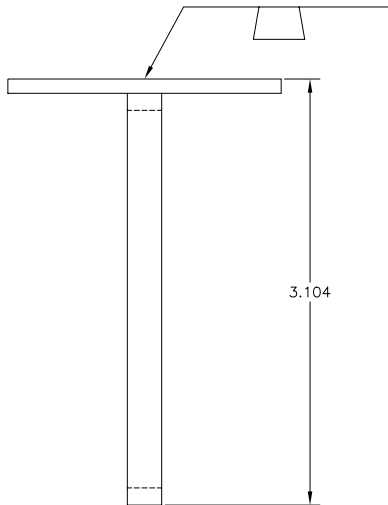


PARTS LIST							REVISIONS		
ITEM NO.	PART NO.	DRAWING #	SUPPLIED BY:	REV	REQ'D	DESCRIPTION	REV #	DATE	INITIALS
1		GL000557	MFGR.	2	1	BAS PLATE FOR CABLE MANAGEMENT RING	1	7/14/99	MM
2		GL000558	MFGR.	2	1	CABLE MANAGEMENT RING	ECO #		
							00085		
							REV #	DATE	INITIALS
							2	10/25/00	JFW
							ECO #		
							00496		



SPECIAL NOTES:
1.

PART NUMBER: CM13

Use of this document is subject to a confidentiality & nondisclosure agreement w/ Great Lakes Case & Cabinet Co., Inc. (GLCC) & may not be reproduced, disclosed or utilized in whole or in part without prior written authorization from GLCC.

DIMENSIONS IN INCHES DO NOT SCALE
TOLERANCES ON DIMENSIONS UNLESS OTHERWISE SPECIFIED
DECIMAL .xxx ± .010 .xx ± .015 .x ± .020 ANGULAR ± 1/2°
FINISH: PAINT

QTY PER UNIT: 1 DRAWN BY: S.B.
SCALE: NTS DWG DATE: 10-25-00
MATERIAL: N/A SHEET: 1 OF 1

PART DESCRIPTION:
CABLE
MANAGEMENT
RING



Great Lakes Case & Cabinet Co.
P.O. Box 551 / Edinboro, PA 16412
PHONE:(814)734-7303 FAX:(814)734-3907 EMAIL:glcc@greatcabinets.com

REV.	DRAWING NO.
2	GL000556