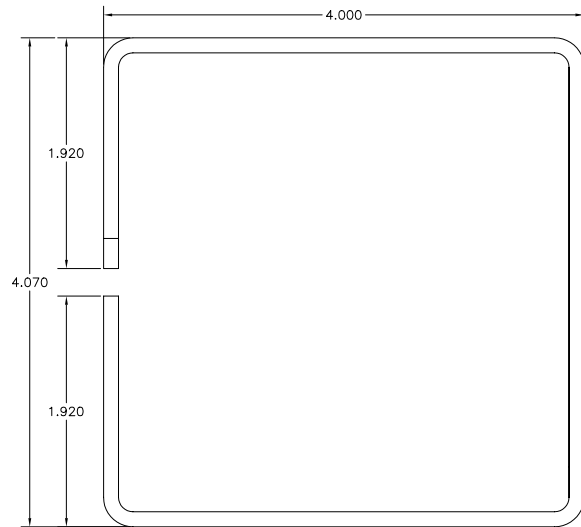
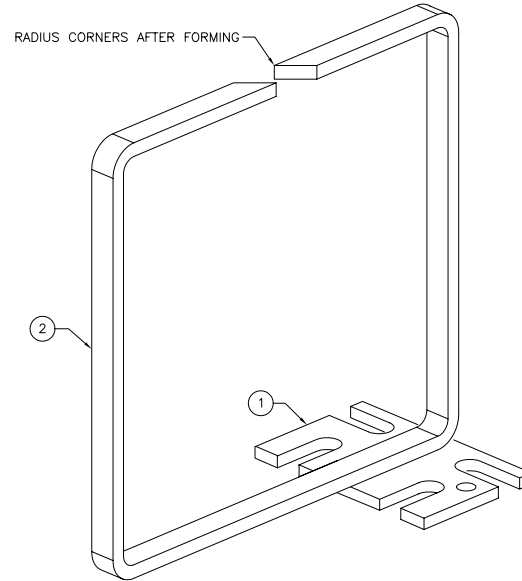


PARTS LIST						
ITEM NO.	PART NO.	DRAWING #	SUPPLIED BY:	REV	REQ'D	DESCRIPTION
1	-	GL000403	MFGR.	2	1	4" AUXILIARY RING, PART A
2	-	GL000404	MFGR.	2	1	4" AUXILIARY RING, PART B

REVISIONS		
REV #	DATE	INITIALS
1	07/14/99	XX
00085		
2	11/27/00	EK
00492		



PART NUMBER: CM44

Use of this document is subject to a confidentiality & nondisclosure agreement w/ Great Lakes Case & Cabinet Co., Inc. (GLCC) & may not be reproduced, disclosed or utilized in whole or in part without prior written authorization from GLCC.

DIMENSIONS IN INCHES DO NOT SCALE
 TOLERANCES ON DIMENSIONS UNLESS OTHERWISE SPECIFIED
 DECIMAL .XXX ± .010 .XX ± .015 .X ± .020 ANGULAR ± 1/2"
 FINISH: PAINT

QTY PER UNIT: 1
 SCALE: NTS
 MATERIAL:
 DRAWN BY: EK
 DWG DATE: 11/27/00
 SHEET: 1 OF 1

PART DESCRIPTION:
 4" AUXILIARY RING
 4.07"W x 4.00"D



Great Lakes Case & Cabinet Co.
 P.O. Box 551 / Edinboro, PA 16412
 PHONE: (814) 734-7303 FAX: (814) 734-3907 EMAIL: glcc@greatcabinets.com
 REV: 2
 DRAWING NO.: GL000405