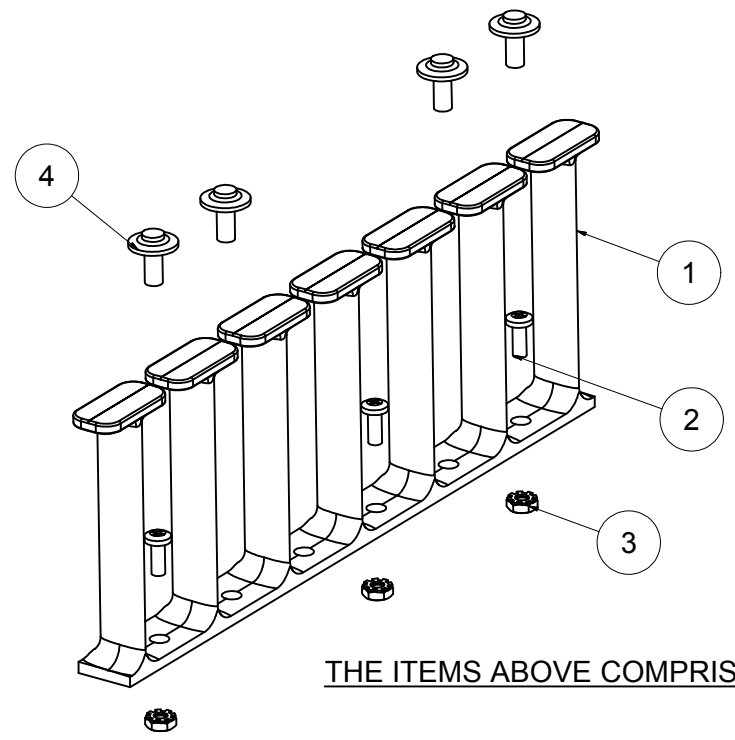
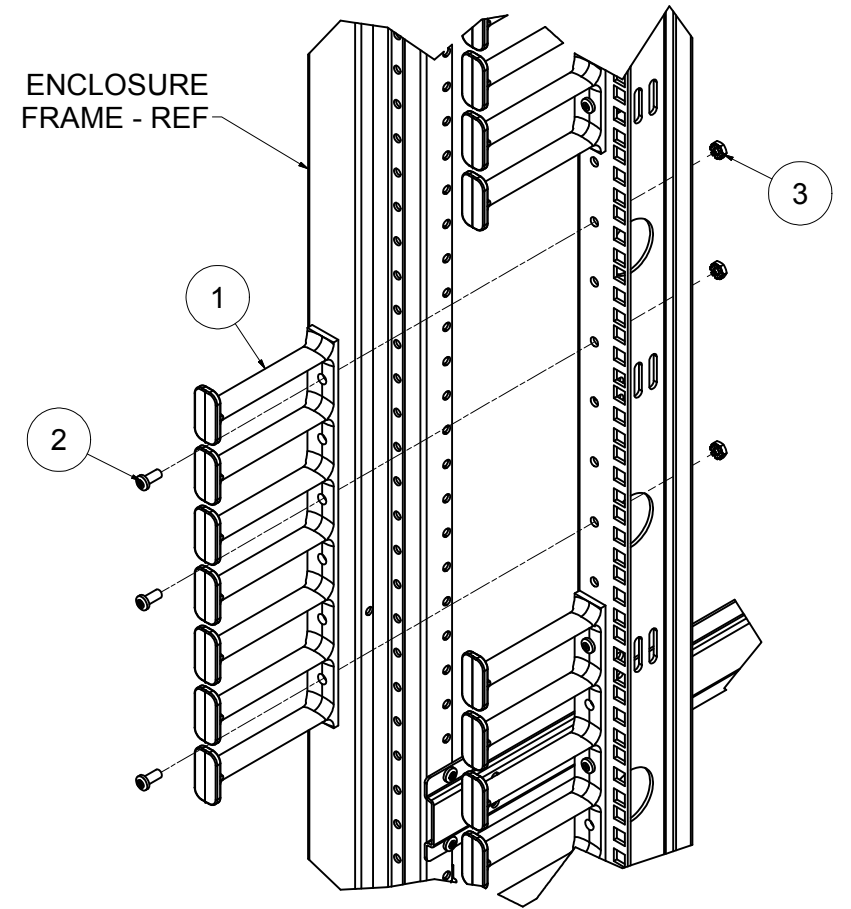


REVISION HISTORY			
REV	DESCRIPTION	DATE	APPROVED
0	ECO-03383	10/20/2011	MZ

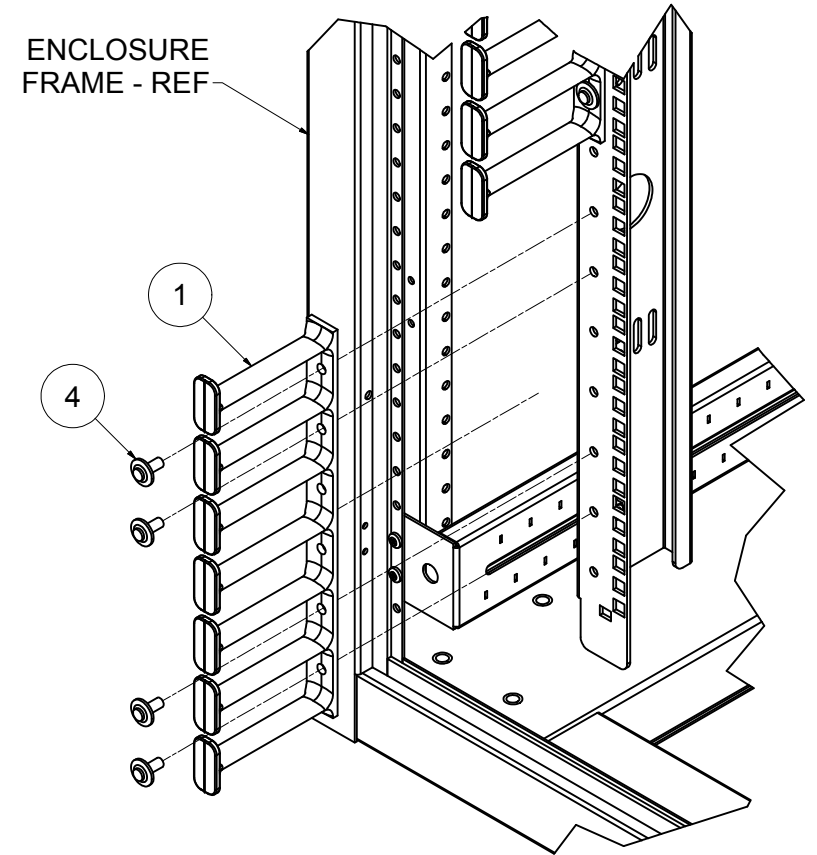
Bill of Material						
ITEM	PART NUMBER	STOCK NUMBER	QTY	DESCRIPTION	FILE NAME	REV
1	CM47		1	4"DEEP x 7 RMU PLASTIC FINGER CABLE MANAGEMENT	I013299.ipt	3
2	H01-078	H01-078	3	SCREW, 10-32x1/2" PH PAN TYPE 23 BLACK OXIDE/WAX RoHS (SCR1032X500BLK)	H01-078.ipt	-
3	H02-001	H02-001	3	#10-32 KEPS NUT, ZINC RoHS (10/32NUT)	H02-001.iam	-
4	30063008-05004D	H31-022	4	PANEL FASTENER, TUFLOK, ITW-FASTEX. OR EQUIV.	30063008-05004D.ipt	-



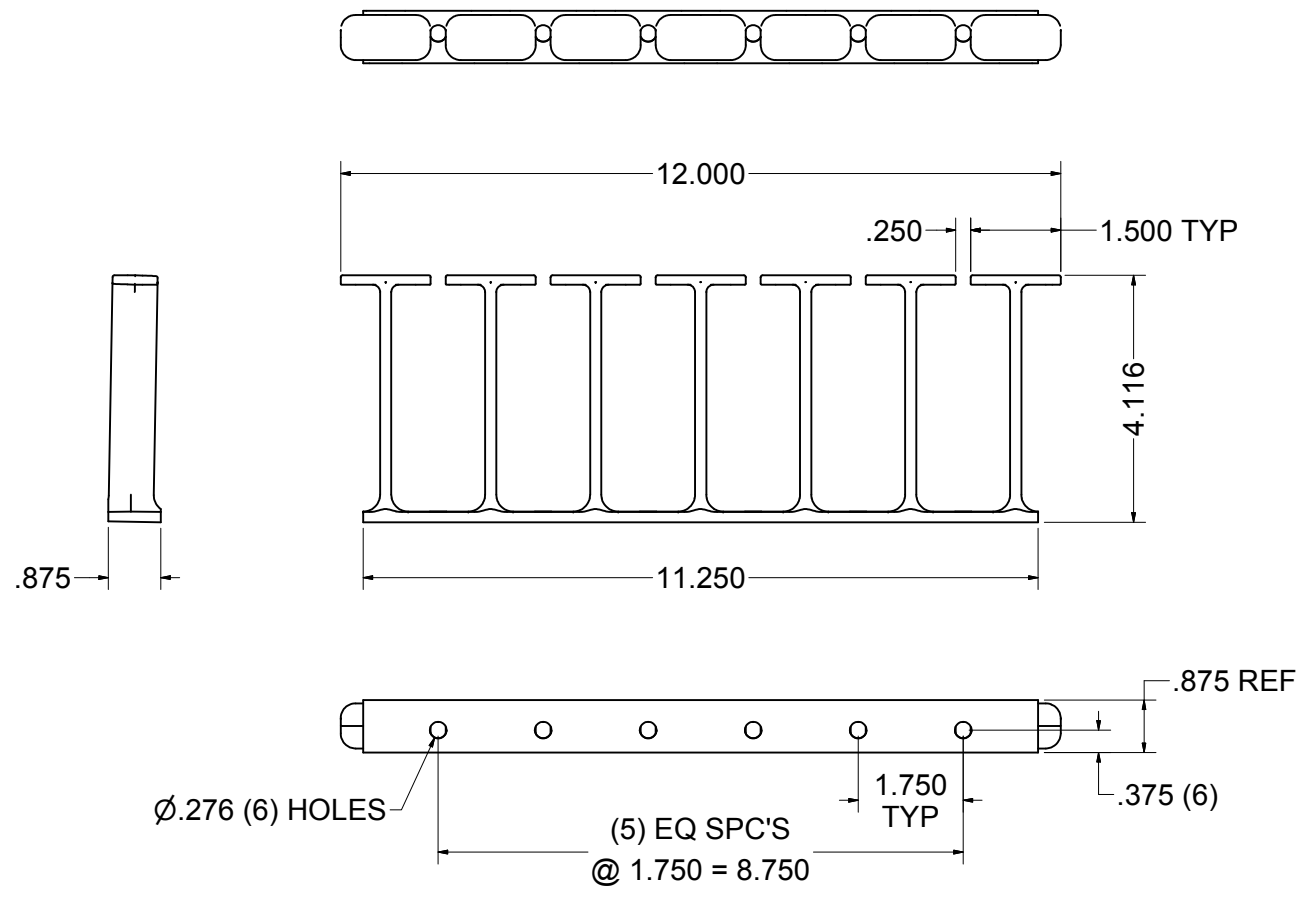
THE ITEMS ABOVE COMPRISE (1) KIT



PREFERRED MOUNTING METHOD  
FIT AT INITIAL INSTALLATION USING  
THE SCREWS & NUTS INDICATED



ALTERNATE MOUNTING METHOD  
FITS EXISTING INSTALLATIONS WHERE  
ACCESS IS LIMITED USING PUSH PINS  
FROM THE FRONT AS SHOWN



DETAIL OF TYPICAL PLASTIC CABLE MANAGER (CM-47)

**NOTES:**

- ITEMS 1 THRU 4 TO BE PACKAGED SEPARATELY IN PLASTIC BAGS AND BUNDLED AS PART OF A KIT w/ INSTRUCTIONS.

INTERPRET DRAWING PER ASME Y14.5M-1994 DIMENSIONAL LIMITS APPLY AFTER APPLICATION OF FINISH DRAWING NOT TO SCALE TOLERANCE UNLESS OTHERWISE NOTED: ANGULAR +/- .1" .XXXX +/- .010 .XXX +/- .015 .XX +/- .030 .X FOR REF. ONLY	<b>NOTICE:</b> Use of this document is subject to a confidentiality and nondisclosure agreement with Great Lakes Case & Cabinet Co., Inc. (GLCC) and may not be reproduced, disclosed or utilized in whole or in part without prior written authorization from GLCC.	PART NUMBER: CM473200	TITLE <b>CABLE MANAGEMENT KIT FOR 78"H OR 84"H 'E', 'ES', 'EN' ENCLOSURES (FRONT OR REAR)</b>  GREAT LAKES CASE & CABINET CO., INC. P.O. BOX 551 EDINBORO, PA 16412 PHONE (814) 734-7303 FAX (814) 734-3907 E-MAIL glcc@greatcabinets.com
		QTY PER UNIT: 1	
		MATERIAL TYPE: PURCHASED	
		MATERIAL GAUGE: SEE DETAILS	
FINISH: AS SUPPLIED	DRAWN MZ	DATE 10/20/2011	DWG NO. <b>1014991</b>
UNLESS OTHERWISE SPECIFIED ALL DIMENSIONS ARE IN INCHES	CHECKED & APP. WSS	DATE 10/20/2011	REV <b>0</b>