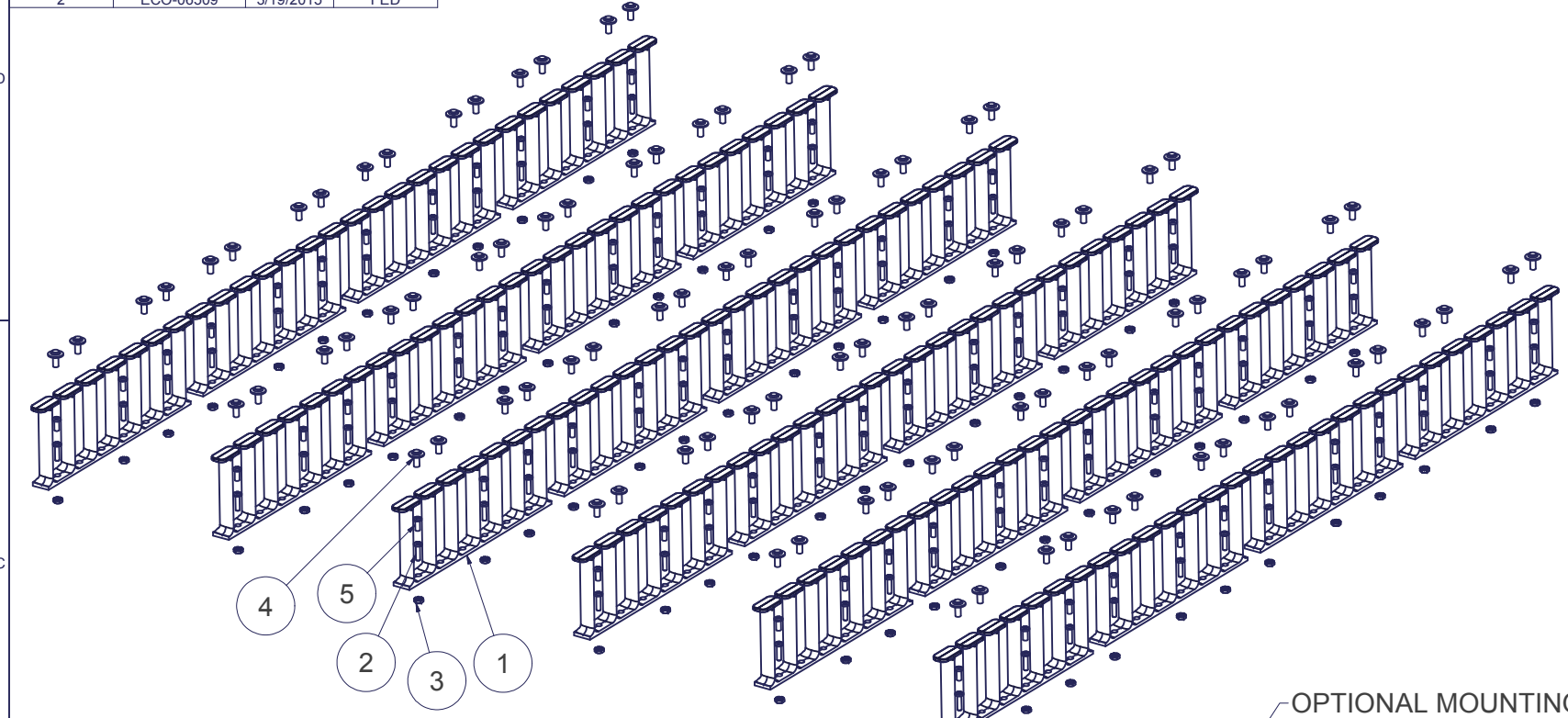


REVISION HISTORY			
REV	DESCRIPTION	DATE	APPROVED
0	ECO-03280	9/12/2011	FED
1	ECO-03457	12/29/11	CD
2	ECO-06509	3/19/2015	FED

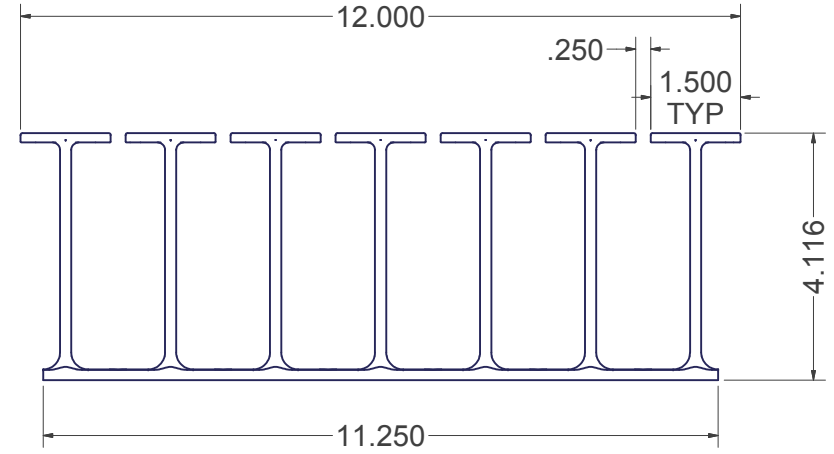


THE ITEMS ABOVE COMPRISE (1) KIT

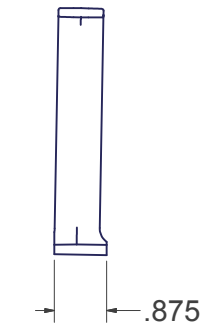
Bill of Material						
ITEM	PART NUMBER	STOCK NUMBER	QTY	DESCRIPTION	FILE NAME	REV
1	CM47		24	4"DEEP x 7 RMU PLASTIC FINGER CABLE MANAGEMENT	I013299.ipt	3
2		H01-265	72	#10-32 x 3/4" PAN HEAD PHIL MS, BLACK	H01-265.ipt	-
3		H02-001	72	#10-32 KEPS NUT, ZINC RoHS (10/32NUT)	H02-001.iam	-
4		H31-022	96	PANEL FASTENER, TUFLOK, ITW-FASTEX. OR EQUIV.	30063008-05004D.ipt	-
5		H01-085	72	SCREW 12-24 x 1/2" L PPH T23 RBZ (SEE NOTE 2)	H01-085.ipt	-



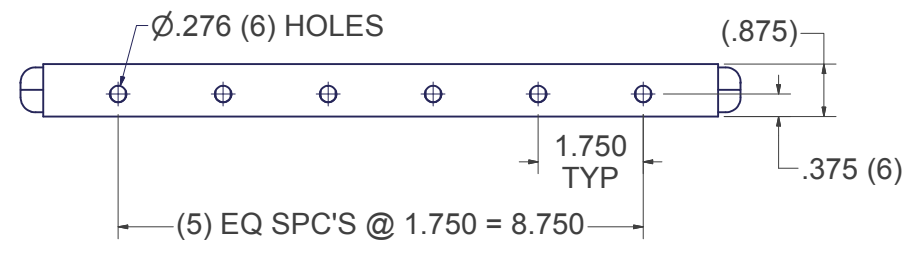
TOP VIEW



SIDE VIEW



END VIEW

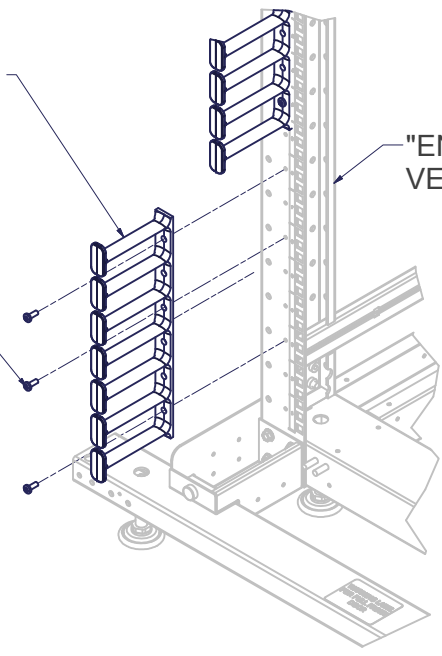


DETAIL OF TYPICAL PLASTIC CABLE MANAGER (CM-47)

# CM47 FINGER CABLE MANAGEMENT

"EN" SERIES ENCLOSURE VERTICAL RAILS

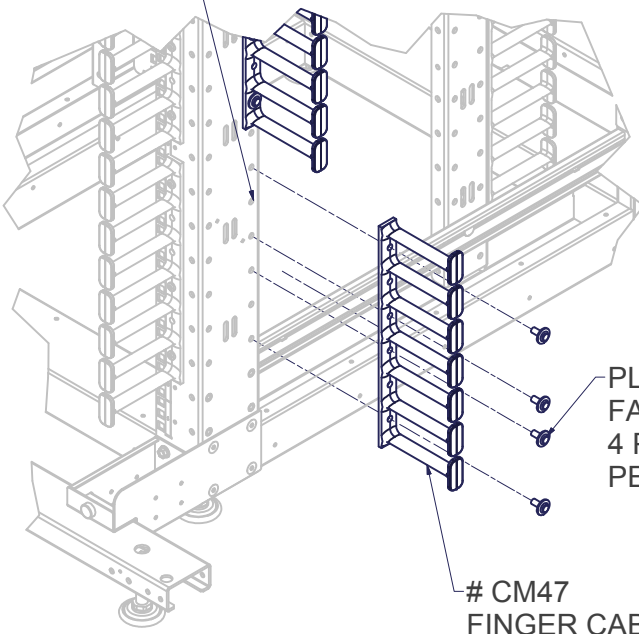
SCREWS #10-32 THDS.



**STOCK MOUNTING METHOD**  
ALIGN WITH TAPPED HOLES IN VERTICAL EIA RAILS, INSTALLED WITH SCREWS

OPTIONAL MOUNTING HOLES

PLASTIC PANEL FASTENERS 4 PER # CM47 PEICE



**ALTERNATE MOUNTING METHOD**  
ALIGN WITH THRU HOLES IN VERTICAL RAILS  
PRESS IN PANEL FASTENER'S REAR CLIPS THRU BOTH PART & THEN PRESS FASTENER'S CENTER INSERT TO SECURE.

# CM47 FINGER CABLE MANAGEMENT

**NOTES:**

- 1. ITEMS 1 THRU 5 TO BE PACKAGED SEPARATELY IN PLASTIC BAGS AND BUNDLED AS PART OF A KIT W/ INSTRUCTIONS.
- 2. NOT ALL HARDWARE WILL BE USED DURING FINAL INSTALLATION ADDITIONAL HARDWARE ARE INCLUDED FOR MULTIPLE MOUNTING LOCATION OPTIONS AS REQUIRED.

**NOTICE:**

Use of this document is subject to a confidentiality and nondisclosure agreement with Great Lakes Case & Cabinet Co., Inc. (GLCC) and may not be reproduced, disclosed or utilized in whole or in part without prior written authorization from GLCC.

EST. WEIGHT : 7.29 lbmass

INTERPRET DRAWING PER ASME Y14.5M-1994
DIMENSIONAL LIMITS APPLY AFTER APPLICATION OF FINISH
DRAWING NOT TO SCALE
TOLERANCE UNLESS OTHERWISE NOTED:
ANGULAR +/- .1°
.XXXX +/- .010
.XXX +/- .015
.XX +/- .030
.X FOR REF. ONLY
UNLESS OTHERWISE SPECIFIED ALL DIMENSIONS ARE IN INCHES

PART NUMBER: ENC-K24
QTY PER UNIT: 1
MATERIAL TYPE: PURCHASED
MATERIAL GAUGE: SEE DETAILS
FINISH: AS SUPPLIED
DRAWN: FED
DATE: 9/12/2011
CHECKED & APP. DATE: WSS 9/12/2011

TITLE: CABLE MANAGEMENT KIT FOR 84" H 'EN' ENCLOSURE SIDE MOUNTING
GREAT LAKES CASE & CABINET CO., INC. P.O. BOX 551 EDINBORO, PA 16412 PHONE (814) 734-7303 FAX (814) 734-3907 E-MAIL glcc@greatcabinets.com
DWG NO: 1014599
REV: 2
SHEET: 1 OF 1