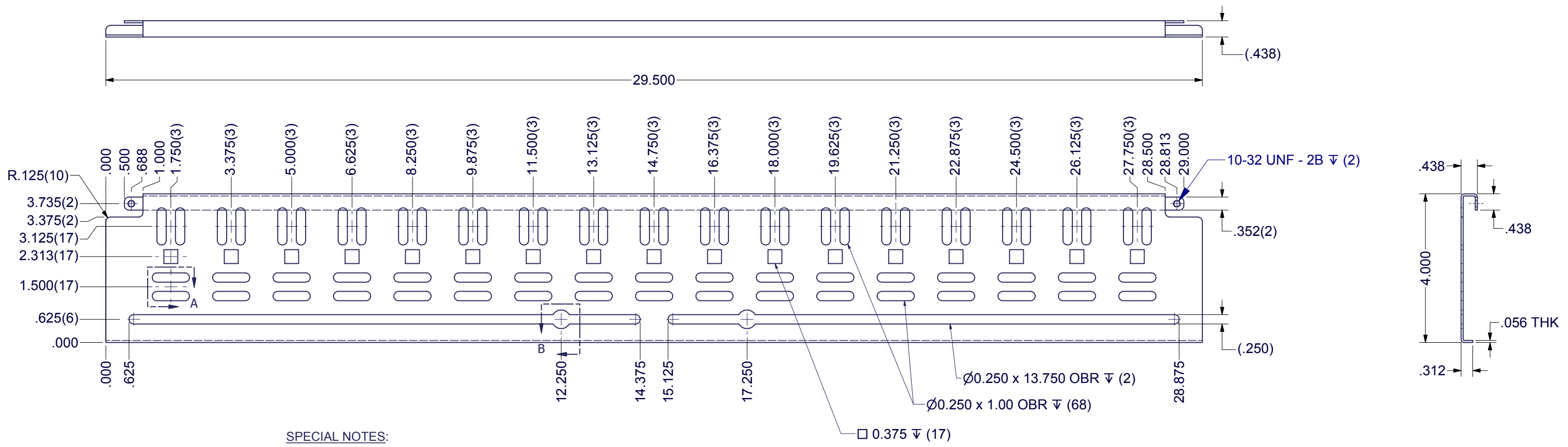
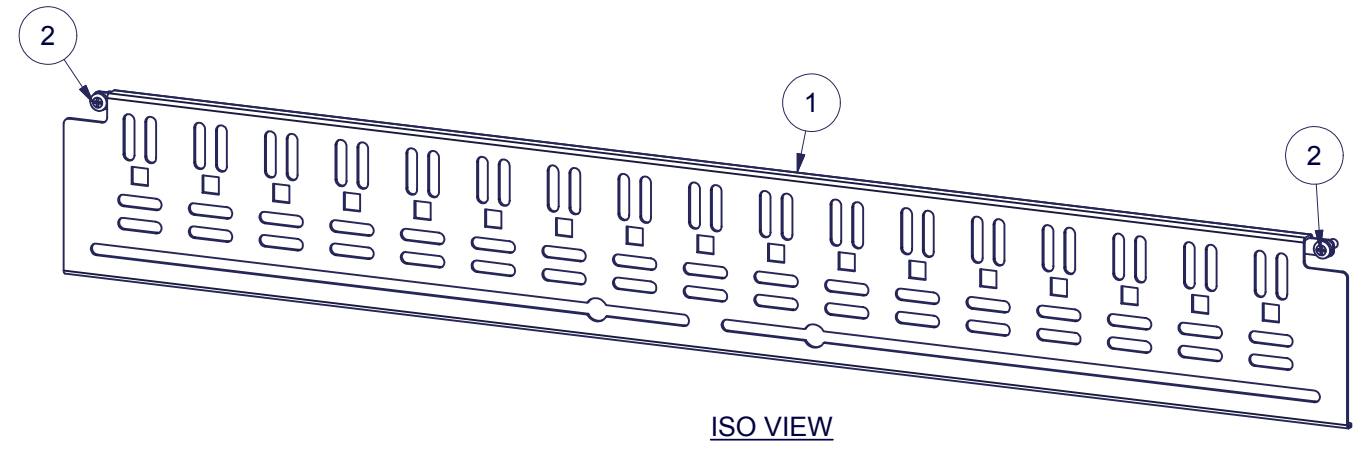
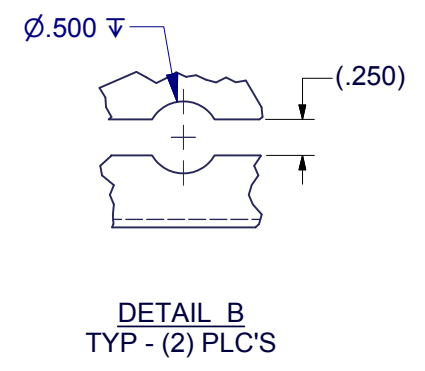
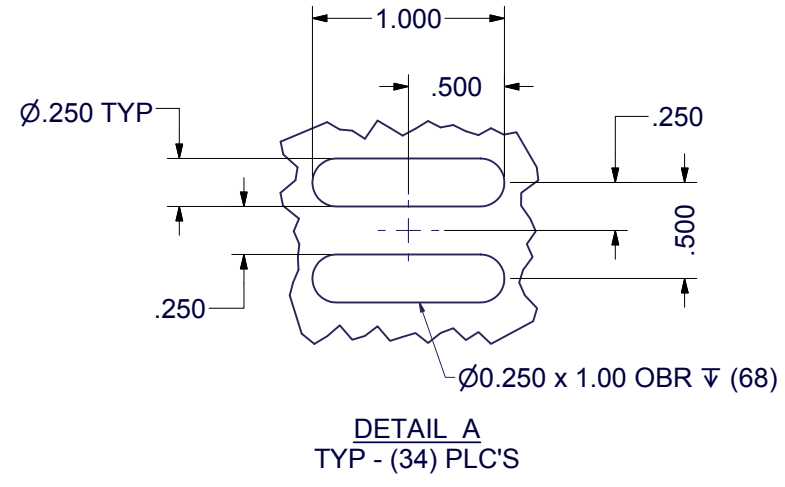


REVISION HISTORY			
REV	DESCRIPTION	DATE	APPROVED
0	ECO-06340	10/1/2014	FED

Bill of Material					FILE NAME	Rev
ITEM	PART NUMBER	STOCK #	QTY	DESCRIPTION	I022481.ipt	0
1	I022481		1	HORIZONTAL CABLE BAR DETAIL FOR 36", 42", OR 48"D 'E'/'ES' ENCLOSURE		
2	H01-078	H01-078	2	SCREW, 10-32x1/2" PH PAN TYPE 23 BLACK OXIDE/WAX RoHS	SCR1032X500BLK.ipt	



- SPECIAL NOTES:**
- 1) DIMENSIONS APPLY BEFORE APPLICATION OF FINISH:
ADD .005" TO EACH SURFACE FOR INSPECTION.
 - 2) TYPICAL BEND RADII = R0.030 x 90° INSIDE UNLESS NOTED OTHERWISE.
 - 3) PREPARE ALL THREADS PRIOR TO WELD OR POWDERCOAT PER TD-09-109.
 - 4) FINISH PER TD-09-103 (POWDER COAT), CLASS B, TEXTURE LEVEL 3, ALL SURFACES UNLESS NOTED OTHERWISE.

EST. WEIGHT :
N/A

INTERPRET DRAWING PER ASME Y14.5M-1994
DIMENSIONAL LIMITS APPLY AFTER APPLICATION OF FINISH
DRAWING NOT TO SCALE
TOLERANCE UNLESS OTHERWISE NOTED:
ANGULAR +/- .1°
.XXXX +/- .010
.XXX +/- .015
.XX +/- .030
.X FOR REF. ONLY
UNLESS OTHERWISE SPECIFIED ALL DIMENSIONS ARE IN INCHES

NOTICE:
Use of this document is subject to a confidentiality and nondisclosure agreement with Great Lakes Case & Cabinet Co., Inc. (GLCC) and may not be reproduced, disclosed or utilized in whole or in part without prior written authorization from GLCC.

PART NUMBER:	HCB36x100
QTY PER UNIT:	1
MATERIAL TYPE:	CRS
MATERIAL GAUGE:	
FINISH:	SEE NOTES
DRAWN:	JAL
DATE:	9/18/2014
CHECKED & APP.:	WSS
DATE:	10/1/2014

TITLE		HORIZONTAL CABLE BAR FOR 36", 42" or 48"D 'E'/'ES' ENCLOSURE	
DRAWN		JAL	
DATE		9/18/2014	
CHECKED & APP.		WSS	
DATE		10/1/2014	
DWG NO.:	I022481	REV:	0
SHEET: 1 OF 1			

