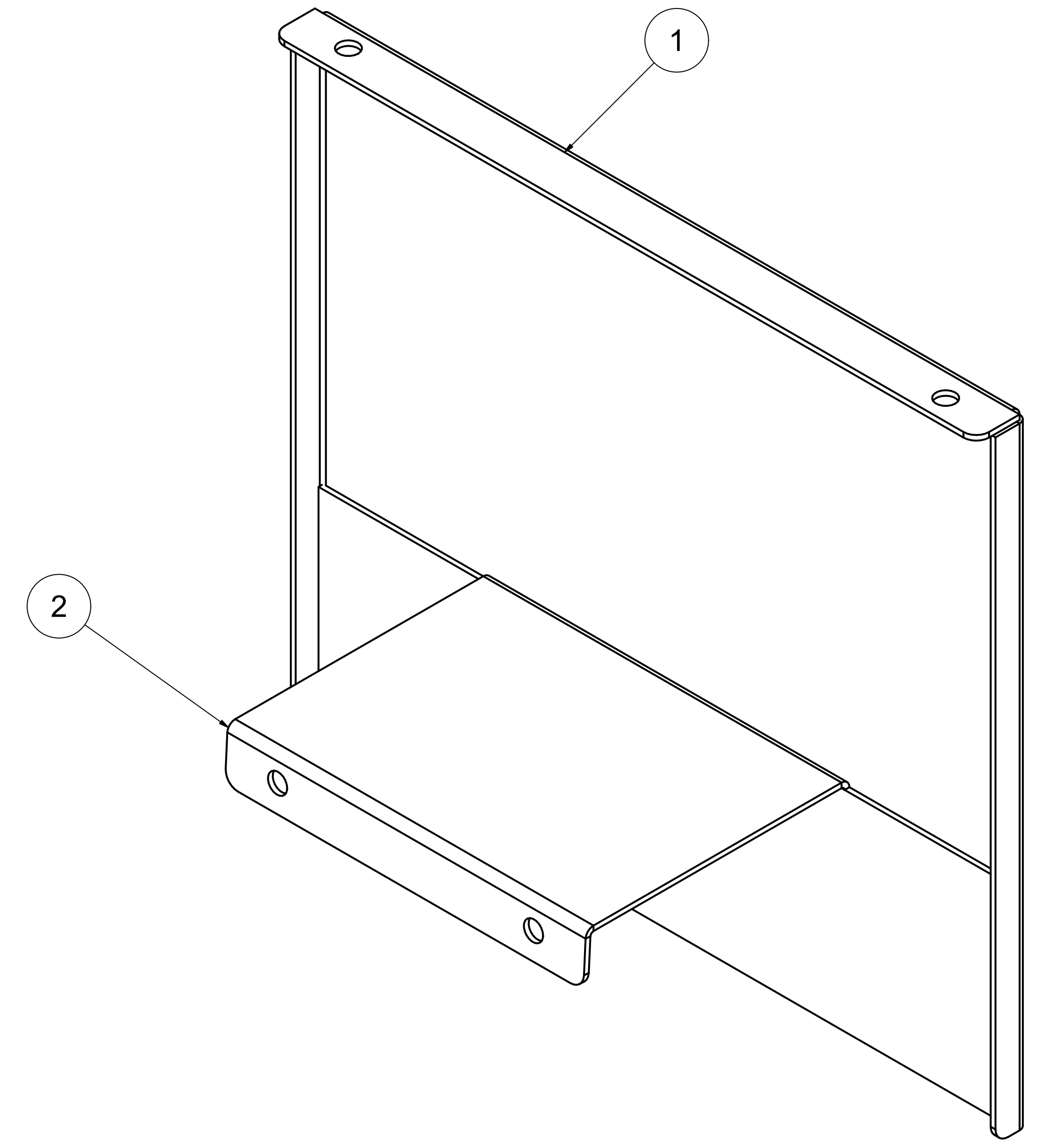
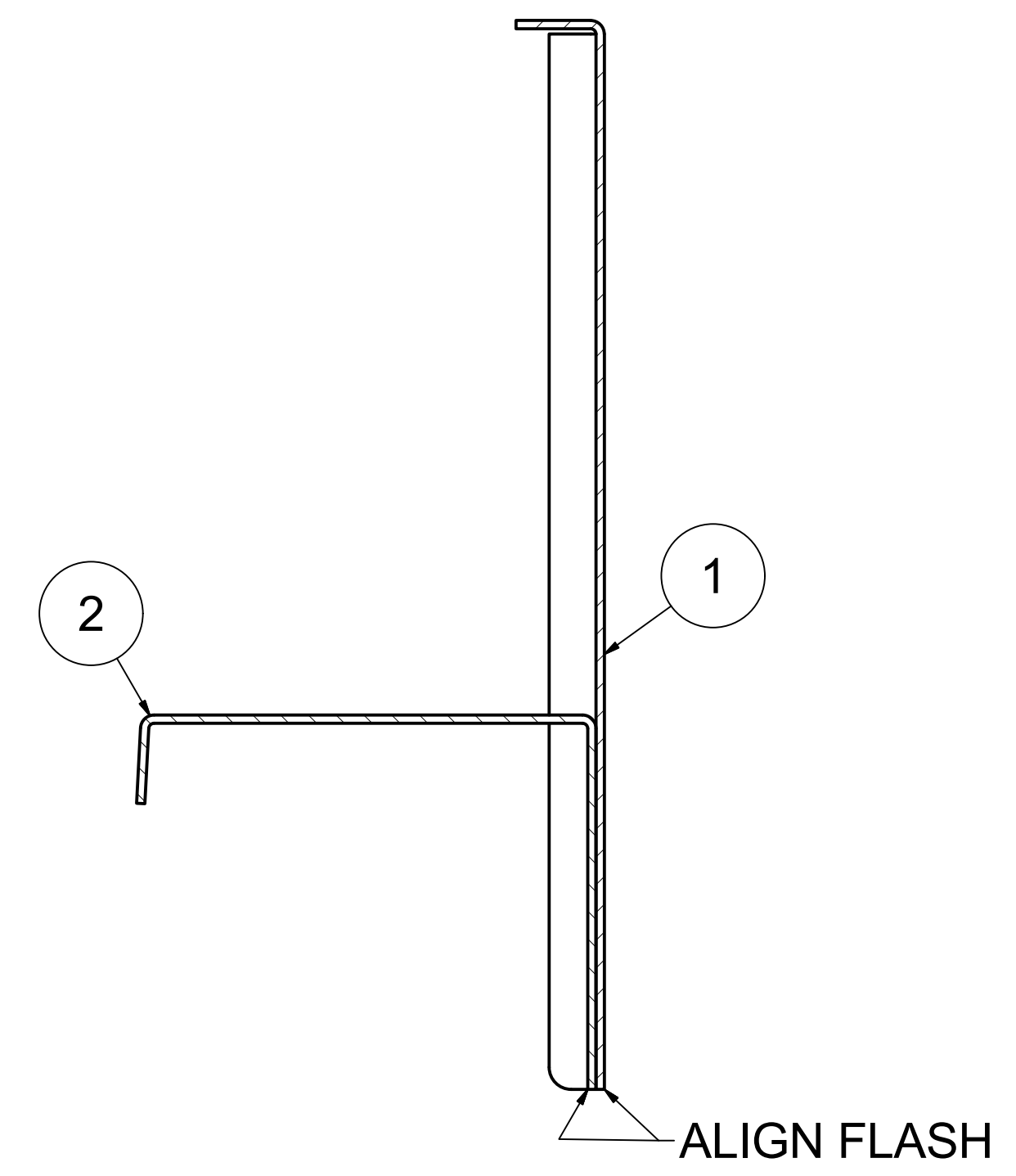
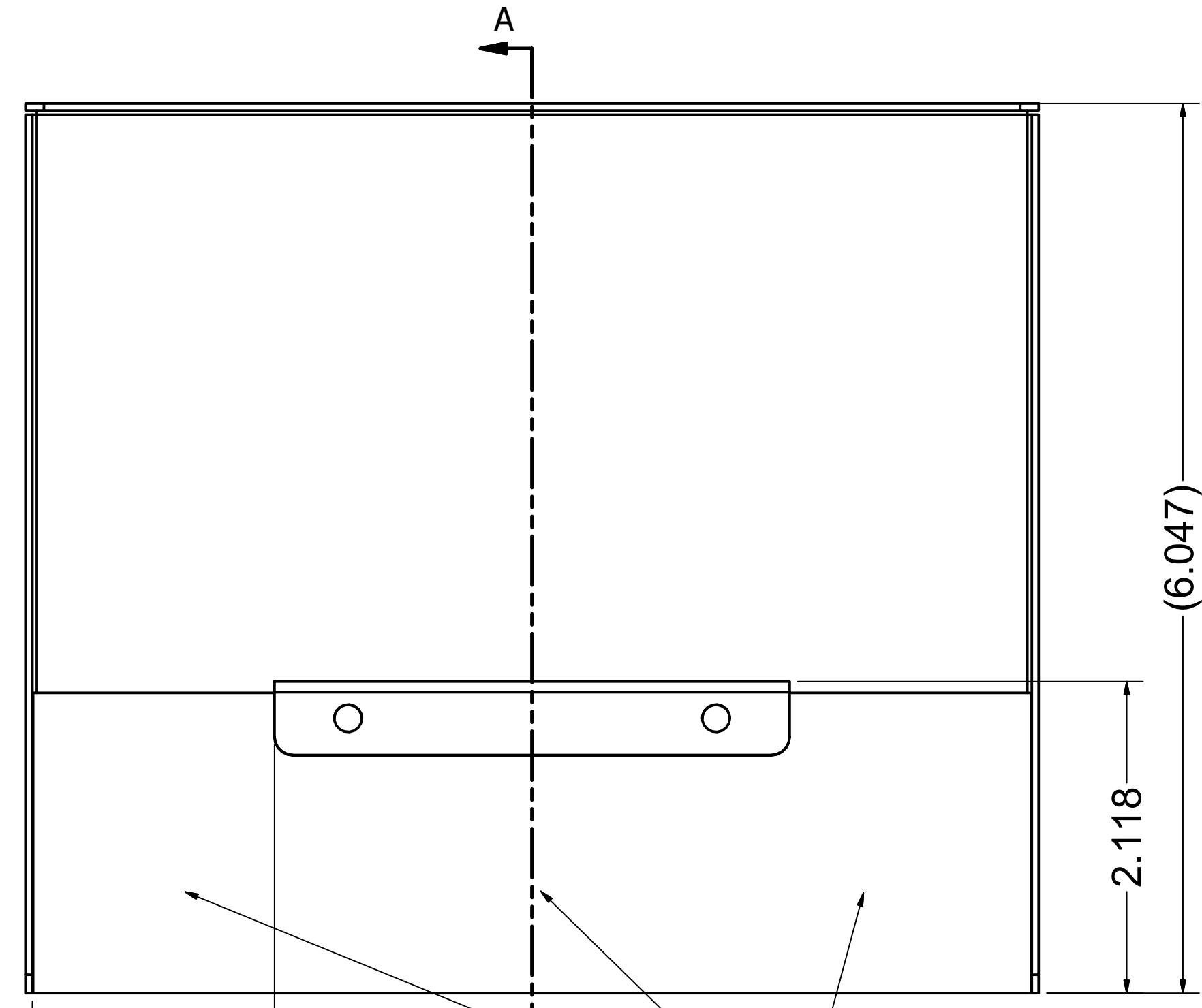
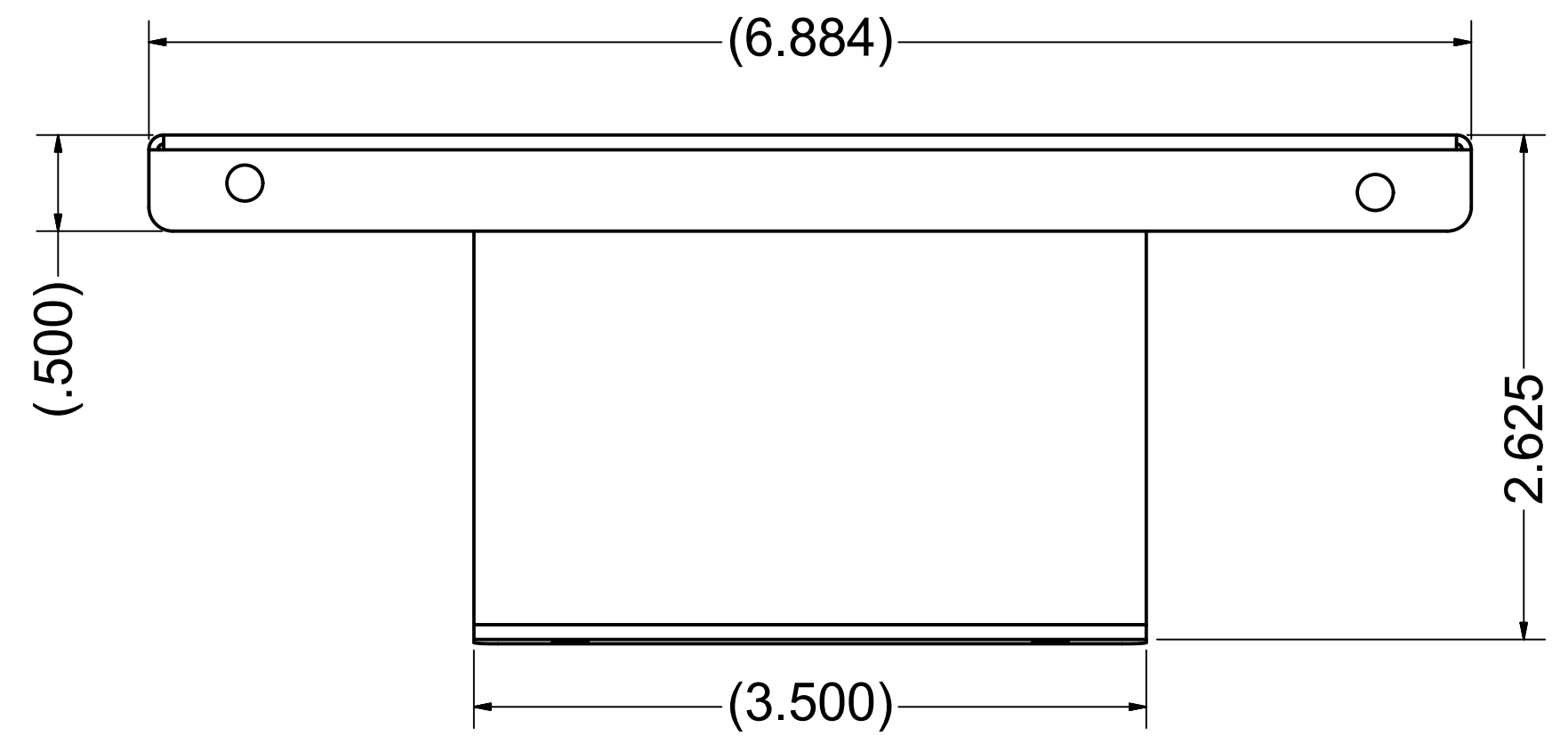


REVISION HISTORY			
REV	DESCRIPTION	DATE	APPROVED
0	ECO-06676	9/15/2015	VL

Bill of Material						
ITEM	PART NUMBER	STOCK NUMBER	QTY	DESCRIPTION	FILE NAME	REV
1	I024015		1	END CAP FOR CABLE TROUGH	I024015.ipt	0
2	I024016		1	END CAP CATCH HOOK FOR TCT-24 CABLE TROUGH	I024016.ipt	0



1.65 TO INSIDE
(TYP BOTH SIDES)

EQ. SPACED

SECTION A-A

- SPECIAL NOTES:**
- 1) FINISH PER TD-09-103 (POWDER COAT), CLASS B, TEXTURE LEVEL 3, - ALL SURFACES UNLESS OTHERWISE NOTED.
 - 2) DIMENSIONS APPLY BEFORE APPLICATION OF FINISH: ADD .005" TO EACH SURFACE FOR INSPECTION.
 - 3) REFER TO PURCHASE ORDER, SPECIAL INSTRUCTIONS MAY APPLY

EST. WEIGHT :
N/A

INTERPRET DRAWING PER ASME Y14.5M-1994
DIMENSIONAL LIMITS APPLY AFTER APPLICATION OF FINISH
DRAWING NOT TO SCALE
TOLERANCE UNLESS OTHERWISE NOTED:
ANGULAR +/- 1°
.XXXX +/- .010
.XXX +/- .015
.XX +/- .030
.X FOR REF. ONLY
THIRD ANGLE PROJECTION
UNLESS OTHERWISE SPECIFIED ALL DIMENSIONS ARE IN INCHES

NOTICE:
Use of this document is subject to a confidentiality and nondisclosure agreement with Great Lakes Case & Cabinet Co., Inc. (GLCC) and may not be reproduced, disclosed or utilized in whole or in part without prior written authorization from GLCC.

PART NUMBER: TCT24ECX100	
QTY PER UNIT: 1	
MATERIAL TYPE: CRS	
MATERIAL GAUGE: SEE DETAILS	
FINISH: POWDERCOAT	
DRAWN VL	DATE 9/15/2015
CHECKED & APP. WSS	DATE 9/16/2015

TITLE END CAP ASSEMBLY FOR TCT-24 CABLE TROUGH	
GREAT LAKES CASE & CABINET CO., INC. P.O. BOX 551 EDINBORO, PA 16412 PHONE (814) 734-7303 FAX (814) 734-3907 E-MAIL glcc@greatcabinets.com	
DWG NO: 1024014	REV 0
SHEET: 1 OF 1	