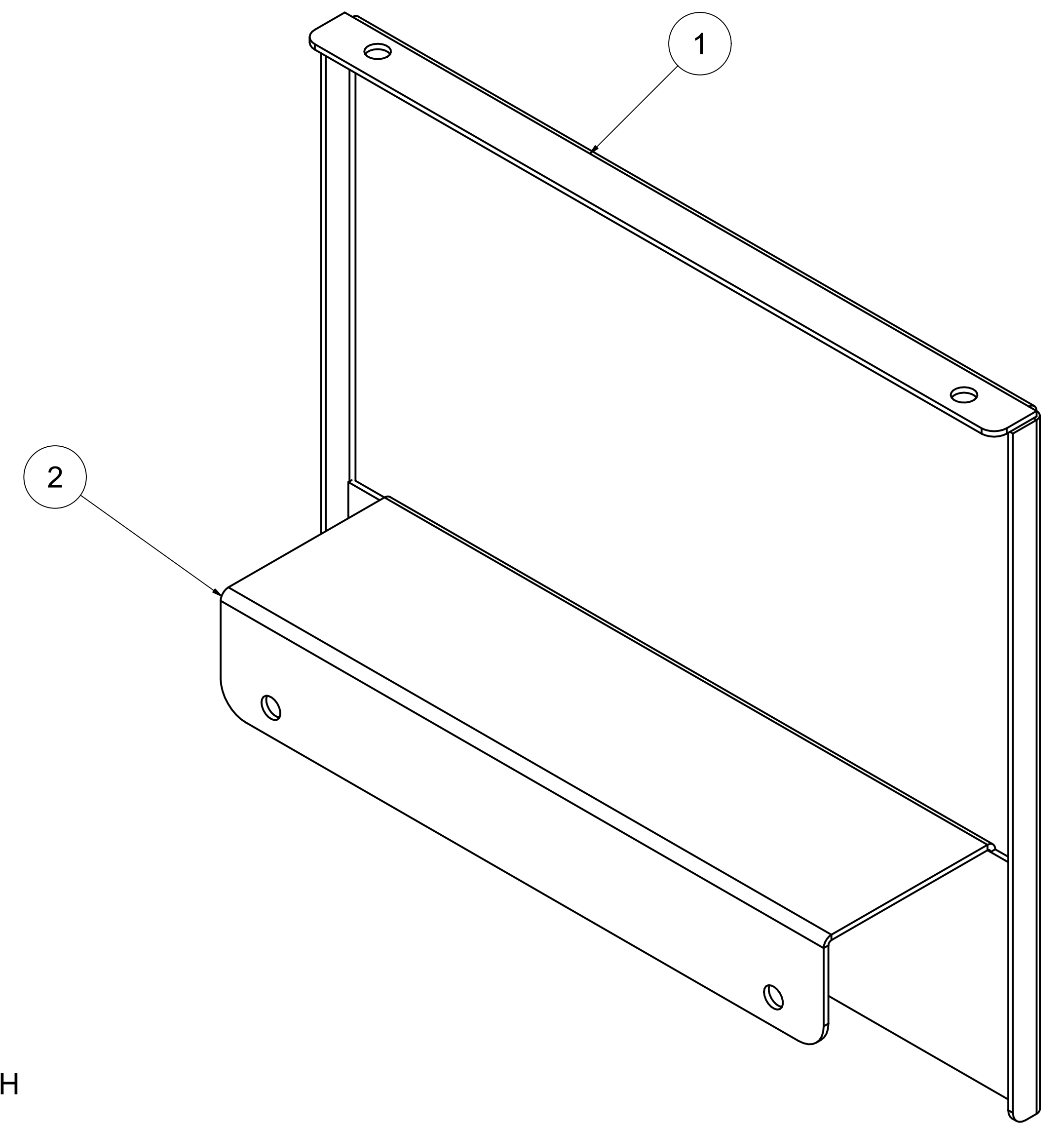
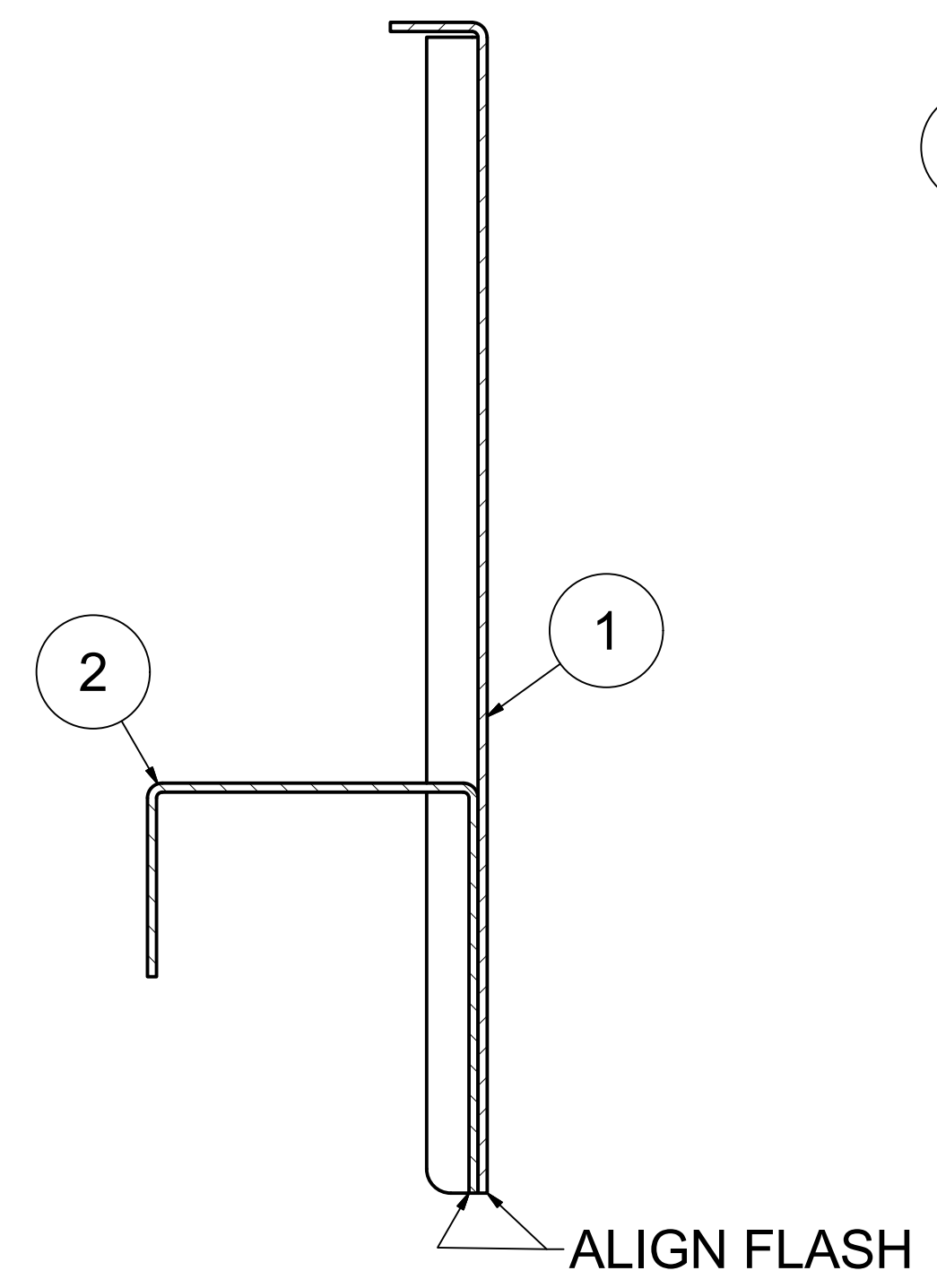
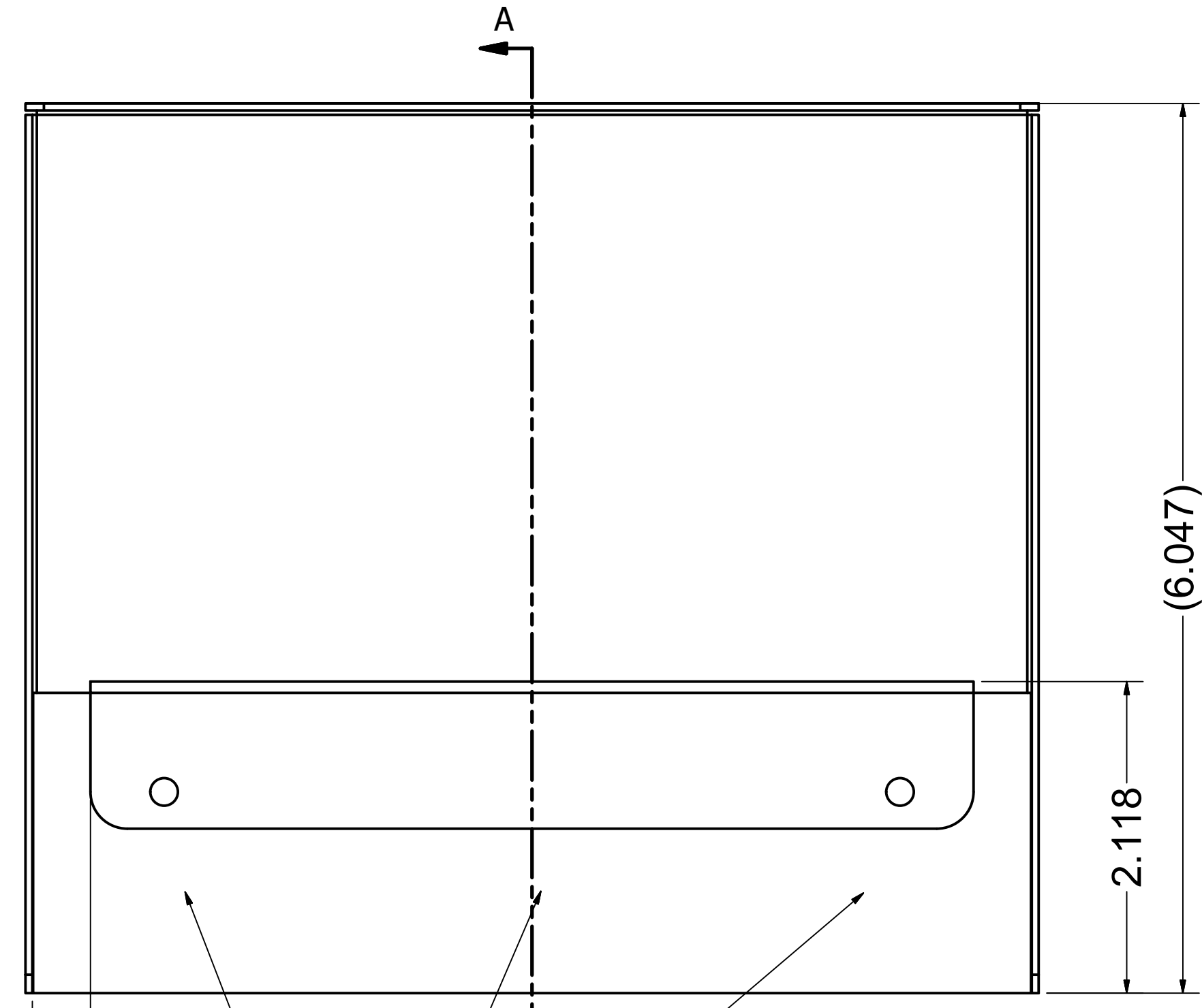
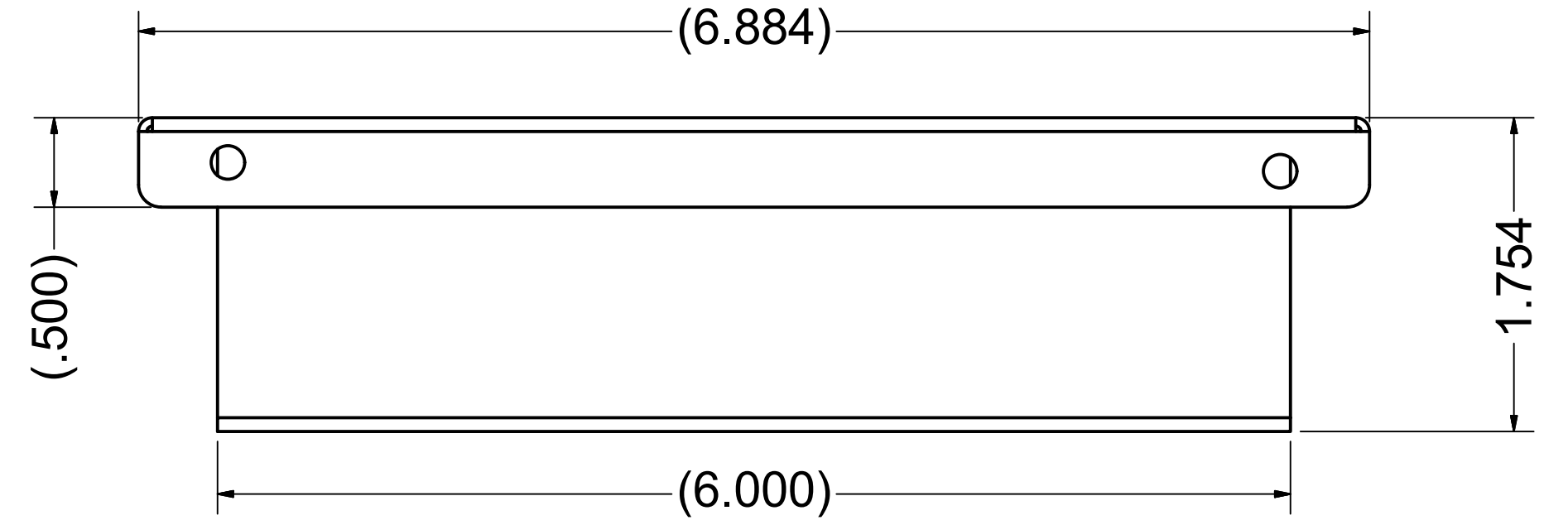


REVISION HISTORY			
REV	DESCRIPTION	DATE	APPROVED
0	ECO-06676	9/15/2015	VL

Bill of Material						
ITEM	PART NUMBER	STOCK NUMBER	QTY	DESCRIPTION	FILE NAME	REV
1	I024015		1	END CAP FOR CABLE TROUGH	I024015.ipt	0
2	I024887		1	END CAP CATCH HOOK FOR TCT-30 CABLE TROUGH	I024887.ipt	0



.40 TO INSIDE
(TYP BOTH SIDES)

EQ. SPACED

(3)

- SPECIAL NOTES:**
- 1) FINISH PER TD-09-103 (POWDER COAT), CLASS B, TEXTURE LEVEL 3, - ALL SURFACES UNLESS OTHERWISE NOTED.
 - 2) DIMENSIONS APPLY BEFORE APPLICATION OF FINISH: ADD .005" TO EACH SURFACE FOR INSPECTION.
 - 3) REFER TO PURCHASE ORDER, SPECIAL INSTRUCTIONS MAY APPLY

EST. WEIGHT :
N/A

THIRD ANGLE
PROJECTION

INTERPRET DRAWING PER ASME Y14.5M-1994
DIMENSIONAL LIMITS APPLY
AFTER APPLICATION OF FINISH
DRAWING NOT TO SCALE
TOLERANCE UNLESS OTHERWISE NOTED:
ANGULAR +/- 1°
.XXXX +/- .010
.XXX +/- .015
.XX +/- .030
.X FOR REF. ONLY
UNLESS OTHERWISE SPECIFIED
ALL DIMENSIONS ARE IN INCHES

NOTICE:
Use of this document is subject to a confidentiality and nondisclosure agreement with Great Lakes Case & Cabinet Co., Inc. (GLCC) and may not be reproduced, disclosed or utilized in whole or in part without prior written authorization from GLCC.

PART NUMBER:
TCT30ECX100
QTY PER UNIT: 1
MATERIAL TYPE:
CRS
MATERIAL GAUGE:
SEE DETAILS
FINISH:
POWDERCOAT
DRAWN
VL
CHECKED & APP.
WSS
DATE
9/15/2015
DATE
9/16/2015

TITLE
END CAP ASSEMBLY FOR TCT-30 CABLE TROUGH
GREAT LAKES CASE & CABINET CO., INC.
P.O. BOX 551 EDINBORO, PA 16412
PHONE (814) 734-7303 FAX (814) 734-3907
E-MAIL glcc@greatcabinets.com
DWG NO:
1024885
REV
0
SHEET: 1 OF 1