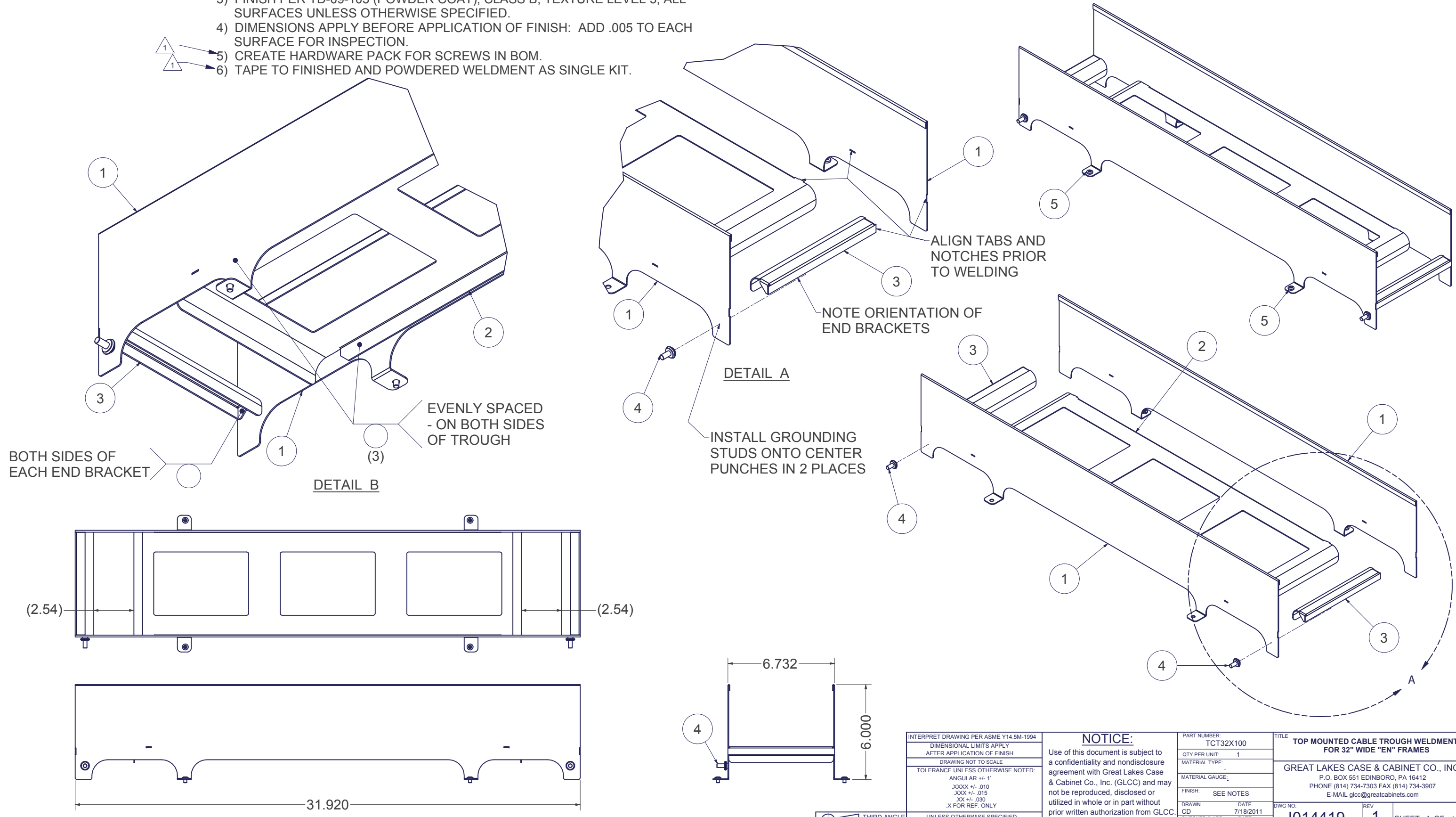


REVISION HISTORY			
REV	DESCRIPTION	DATE	APPROVED
0	ECO-03283	7/18/11	CD
1	ECO-03321	8/22/11	CD

SPECIAL NOTES:

- 1) INSTALL THE GROUNDING STUDS ON THE CENTER PUNCHES OF ONE TROUGH SIDE AS SHOWN.
- 2) PREPARE THREADS PRIOR TO AND DURING WELDING PER TD-09-109.
- 3) FINISH PER TD-09-103 (POWDER COAT), CLASS B, TEXTURE LEVEL 3, ALL SURFACES UNLESS OTHERWISE SPECIFIED.
- 4) DIMENSIONS APPLY BEFORE APPLICATION OF FINISH: ADD .005 TO EACH SURFACE FOR INSPECTION.
- 5) CREATE HARDWARE PACK FOR SCREWS IN BOM.
- 6) TAPE TO FINISHED AND POWDERED WELDMENT AS SINGLE KIT.

Bill of Material					FILE NAME	REV
ITEM	PART NUMBER	STOCK NUMBER	QTY	DESCRIPTION		
1			2	32"W EN TOP CABLE TROUGH SIDE	I014420.ipt	1
2			1	EN TOP CABLE TROUGH CENTER	I014421.ipt	1
3			2	EN TOP CABLE TROUGH END BRACKET	I014422.ipt	1
4	CN-050CHBS	H08-040	2	GROUNDING STUD, M6 x 12mm Lg. COPPER (INCLUDES PLASTIC RETAINING NUT)	CN-050CHBS.ipt	-
5	H01-073	H01-073	4	SCREW, 10-32x1/4 PH PAN TYPE 23 BLACK OXIDE/WAX RoHS (SCR1032X250BLK)	H01-073.ipt	-



INTERPRET DRAWING PER ASME Y14.5M-1994 DIMENSIONAL LIMITS APPLY AFTER APPLICATION OF FINISH DRAWING NOT TO SCALE TOLERANCE UNLESS OTHERWISE NOTED: ANGULAR +/- 1° .XXXX +/- .010 .XXX +/- .015 .XX +/- .030 .X FOR REF. ONLY	NOTICE: Use of this document is subject to a confidentiality and nondisclosure agreement with Great Lakes Case & Cabinet Co., Inc. (GLCC) and may not be reproduced, disclosed or utilized in whole or in part without prior written authorization from GLCC.	PART NUMBER: TCT32X100	TITLE TOP MOUNTED CABLE TROUGH WELDMENT, FOR 32" WIDE "EN" FRAMES GREAT LAKES CASE & CABINET CO., INC. P.O. BOX 551 EDINBORO, PA 16412 PHONE (814) 734-7303 FAX (814) 734-3907 E-MAIL glcc@greatcabinets.com
		QTY PER UNIT: 1	
		MATERIAL TYPE: -	
		MATERIAL GAUGE: -	
FINISH: SEE NOTES	DRAWN DATE: CD 7/18/2011	CHECKED & APP. DATE: WSS 7/18/11	DWG NO. 1014419
THIRD ANGLE PROJECTION	UNLESS OTHERWISE SPECIFIED ALL DIMENSIONS ARE IN INCHES	REV 1	SHEET: 1 OF 1