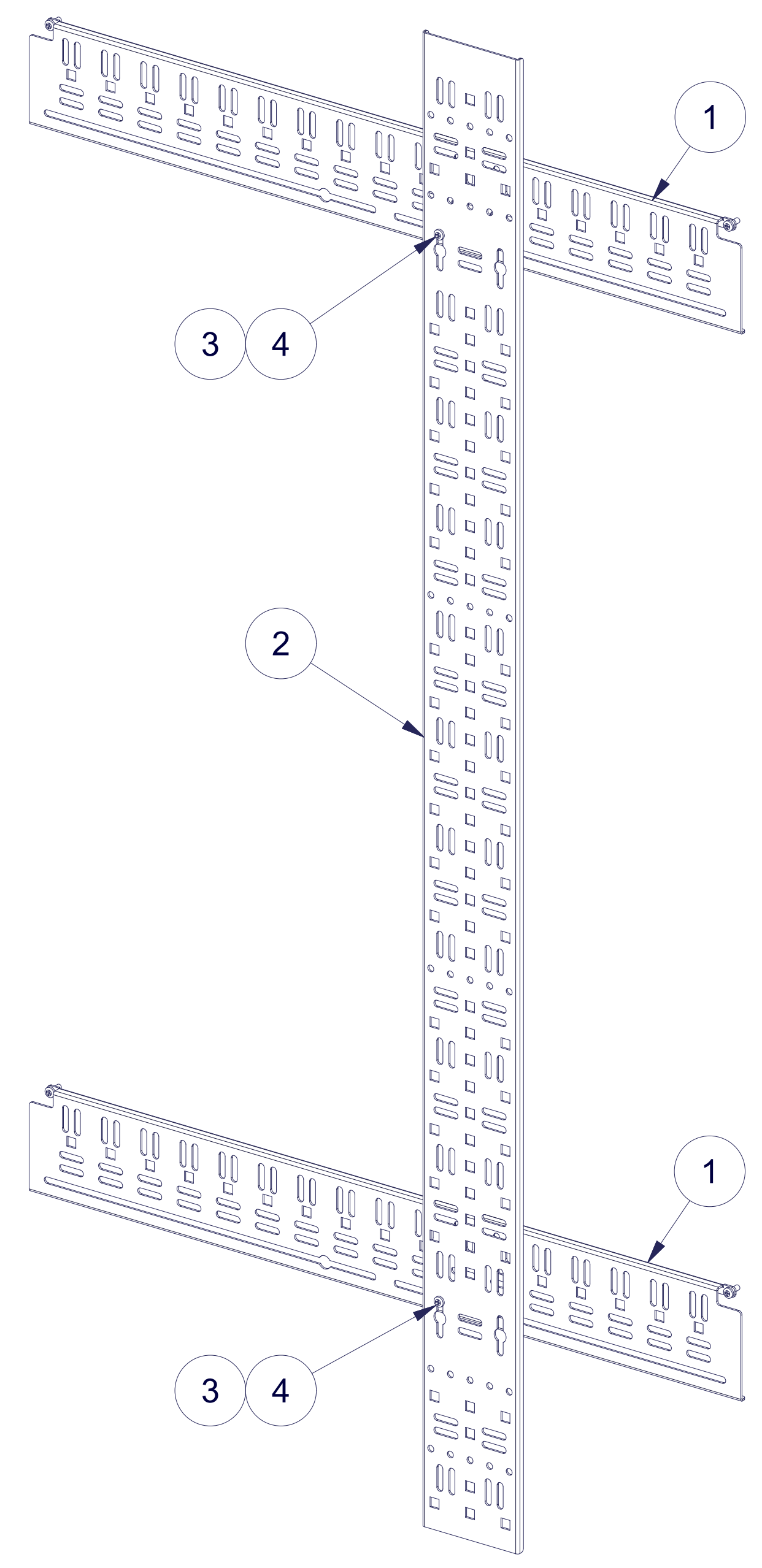
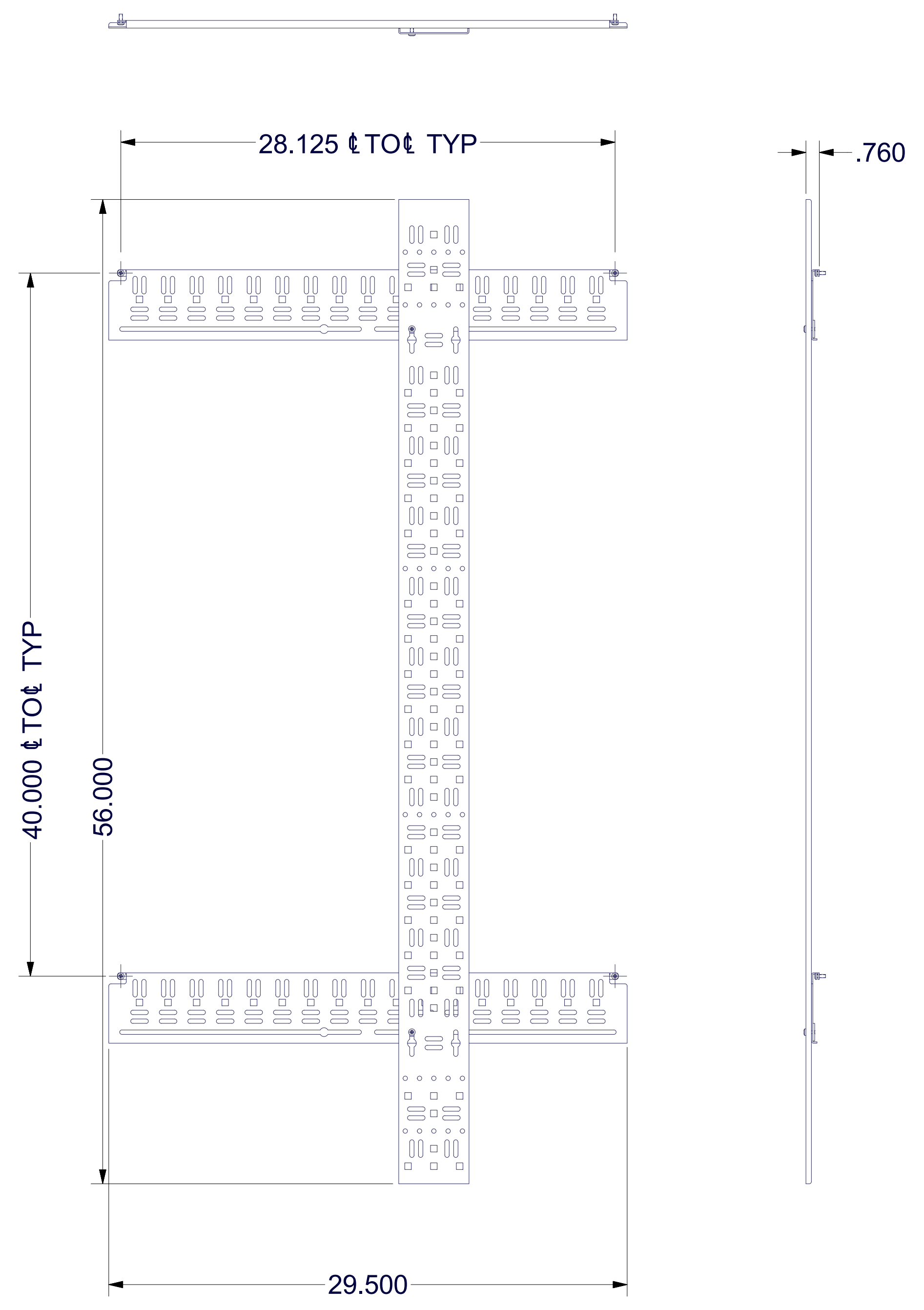


REVISION HISTORY			
REV	DESCRIPTION	DATE	APPROVED
0	ECO-06340	10/3/2014	FED
1	ECO-06510	3/19/2015	VL

Bill of Material						
ITEM	PART NUMBER	STOCK #	QTY	DESCRIPTION	FILE NAME	Rev
1	HCB36x100		2	HORIZONTAL CABLE BAR FOR 36", 42" or 48"D 'E/' 'ES' ENCLOSURE	I022481.iam	1
2	VCB72x100		1	VERTICAL CABLE BAR FOR 72"H 'E/' 'ES' ENCLOSURE	I022483.iam	0
3	LBSNX100		2	SLIDING NUT FOR LACING BARS	I000631.ipt	2
4		H01-078	2	SCREW, 10-32x1/2" PH PAN TYPE 23 RBZ	SCR1032X500BLK.ipt	-
5	CM01		6	CABLE CINCH STRAP, 12"L x 3/4"W (NOT SHOWN)	CM01	-



ISO VIEW



**SPECIAL NOTE:**

- 1) REFER TO PURCHASE ORDER - SPECIAL REQUIREMENTS MAY APPLY!
- 2) PACK SEPARATELY & BULK SHIP AS A KIT UNLESS THIS UNIT IS TO BE MOUNTED AS PART OF A NEWLY BUILT ENCLOSURE.

EST. WEIGHT :  
N/A



INTERPRET DRAWING PER ASME Y14.5M-1994  
 DIMENSIONAL LIMITS APPLY AFTER APPLICATION OF FINISH  
 DRAWING NOT TO SCALE  
 TOLERANCE UNLESS OTHERWISE NOTED:  
 ANGULAR +/- .1"  
 .XXXX +/- .010  
 .XXX +/- .015  
 .XX +/- .030  
 .X FOR REF. ONLY  
 UNLESS OTHERWISE SPECIFIED ALL DIMENSIONS ARE IN INCHES

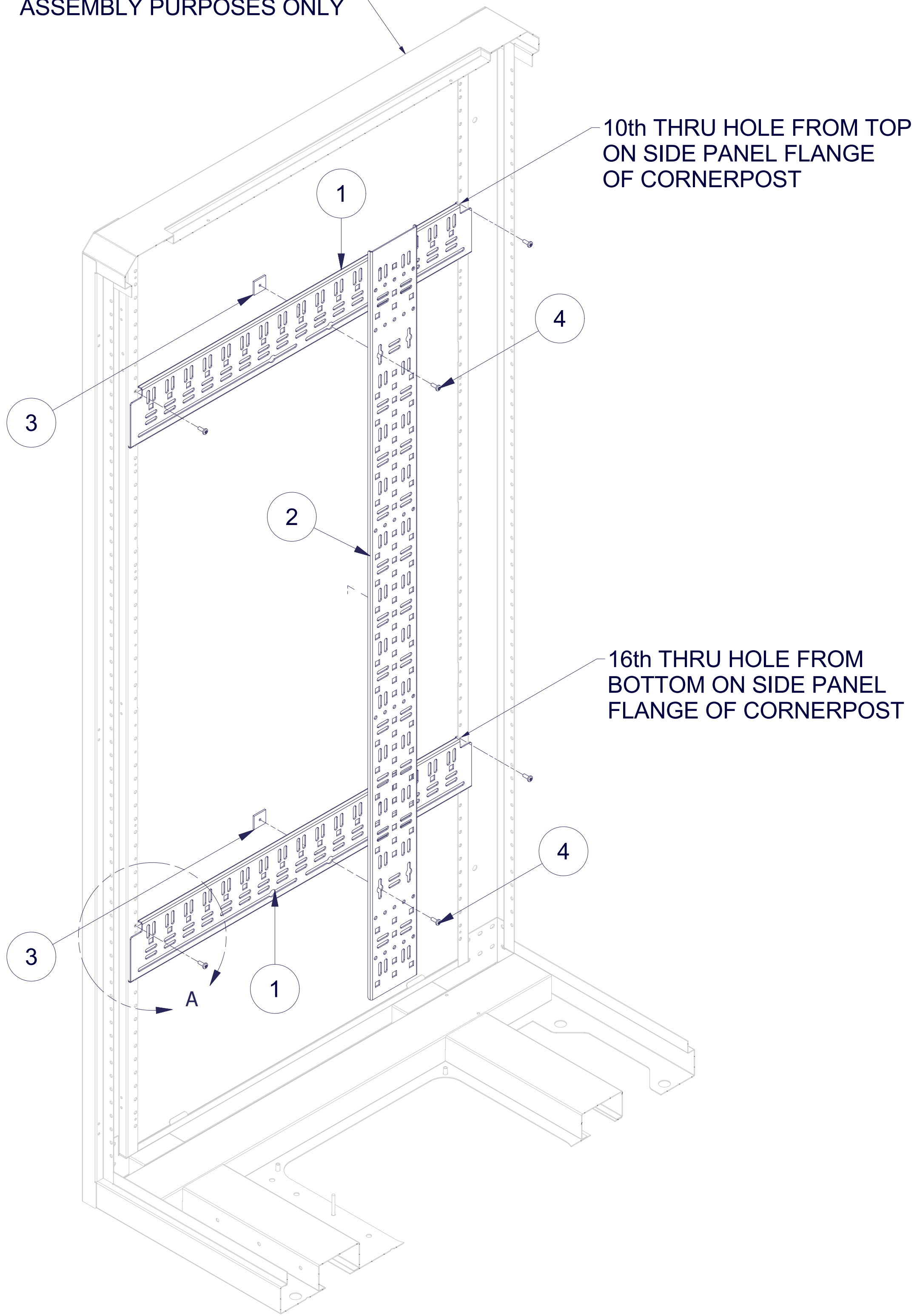
**NOTICE:**  
 Use of this document is subject to a confidentiality and nondisclosure agreement with Great Lakes Case & Cabinet Co., Inc. (GLCC) and may not be reproduced, disclosed or utilized in whole or in part without prior written authorization from GLCC.

PART NUMBER: VCB7236X200  
 QTY PER UNIT: 1  
 MATERIAL TYPE: CRS  
 MATERIAL GAUGE:  
 FINISH: POWDERCOATED  
 DRAWN: 10/3/2014  
 FED: 10/3/2014  
 CHECKED & APP. DATE: 10/3/2014  
 WSS

TITLE: VERTICAL CABLE BAR KIT FOR 72"H x 36"D, 'E/' 'ES' ENCLOSURE  
 GREAT LAKES CASE & CABINET CO., INC.  
 P.O. BOX 551 EDINBORO, PA 16412  
 PHONE (814) 734-7303 FAX (814) 734-3907  
 E-MAIL glcc@greatcabinets.com  
 DWG NO: I022490  
 REV: 1  
 SHEET: 1 OF 2

8 7 6 5 4 3 2 1

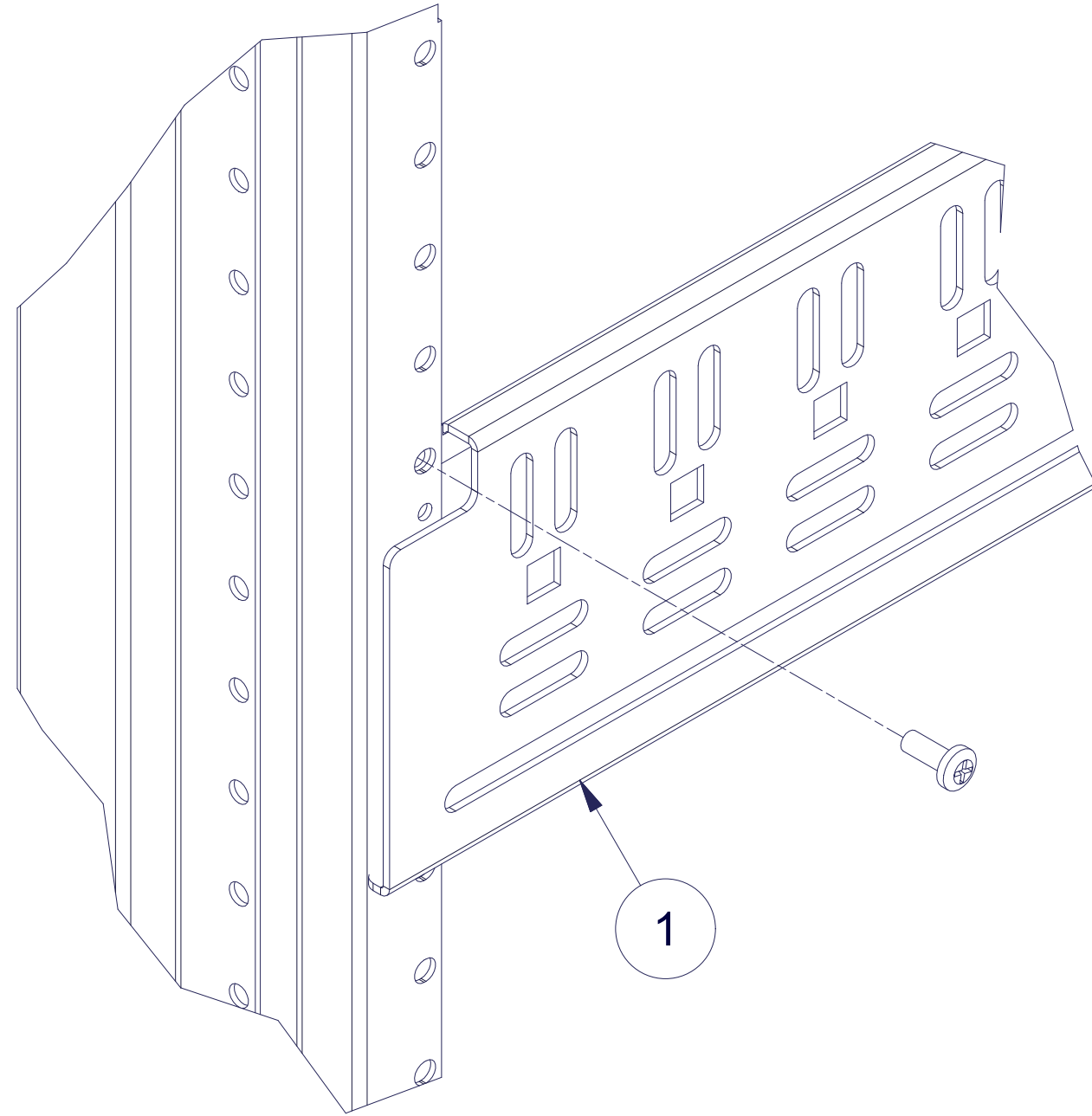
PARTIAL FRAME SHOWN FOR ASSEMBLY PURPOSES ONLY



10th THRU HOLE FROM TOP ON SIDE PANEL FLANGE OF CORNERPOST

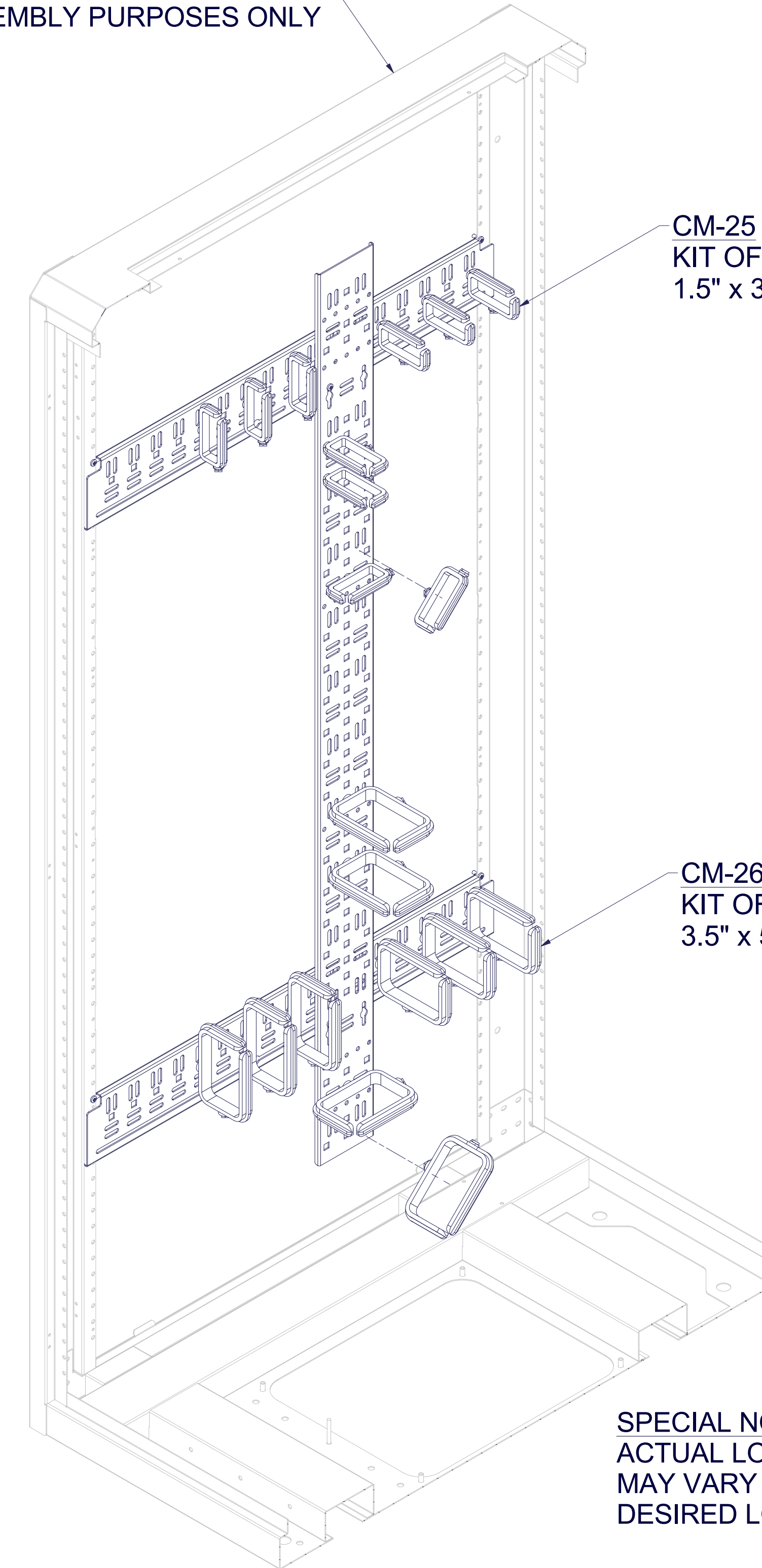
16th THRU HOLE FROM BOTTOM ON SIDE PANEL FLANGE OF CORNERPOST

ISO VIEW



DETAIL A

PARTIAL FRAME SHOWN FOR ASSEMBLY PURPOSES ONLY

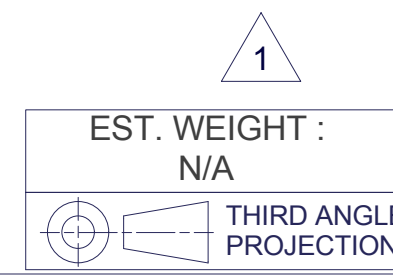


CM-25 KIT OF (10), 1/4 TURN "D" RINGS, 1.5" x 3.5" (OPTIONAL)

CM-26 KIT OF (10), 1/4 TURN "D" RINGS, 3.5" x 5" (OPTIONAL)

SPECIAL NOTE:  
ACTUAL LOCATION OF "D" RINGS  
MAY VARY BASED ON CUSTOMER  
DESIRED LOCATION FOR INSTALLATION

ISO VIEW



EST. WEIGHT :  
N/A

INTERPRET DRAWING PER ASME Y14.5M-1994
DIMENSIONAL LIMITS APPLY AFTER APPLICATION OF FINISH
DRAWING NOT TO SCALE
TOLERANCE UNLESS OTHERWISE NOTED:
ANGULAR +/- 1°
.XXXX +/- .010
.XXX +/- .015
.XX +/- .030
.X FOR REF. ONLY
UNLESS OTHERWISE SPECIFIED ALL DIMENSIONS ARE IN INCHES

**NOTICE:**  
Use of this document is subject to a confidentiality and nondisclosure agreement with Great Lakes Case & Cabinet Co., Inc. (GLCC) and may not be reproduced, disclosed or utilized in whole or in part without prior written authorization from GLCC.

PART NUMBER: VCB7236X200
QTY PER UNIT: 1
MATERIAL TYPE: CRS
MATERIAL GAUGE:
FINISH: POWDERCOATED
DRAWN DATE: 10/3/2014
FED DATE: 10/3/2014
CHECKED & APP. DATE: WSS 10/3/2014

TITLE VERTICAL CABLE BAR KIT FOR 72"H x 36"D, 'E'/'ES' ENCLOSURE	GREAT LAKES CASE & CABINET CO., INC. P.O. BOX 551 EDINBORO, PA 16412 PHONE (814) 734-7303 FAX (814) 734-3907 E-MAIL glcc@greatcabinets.com
DWG NO: 1022490	
REV 1	SHEET: 2 OF 2

8 7 6 5 4 3 2 1