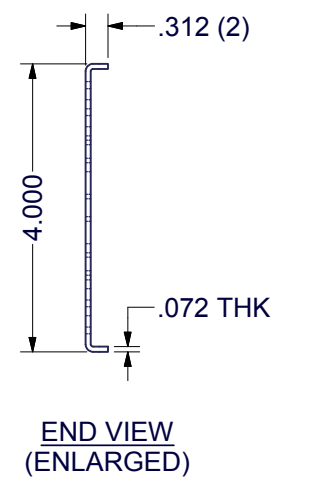
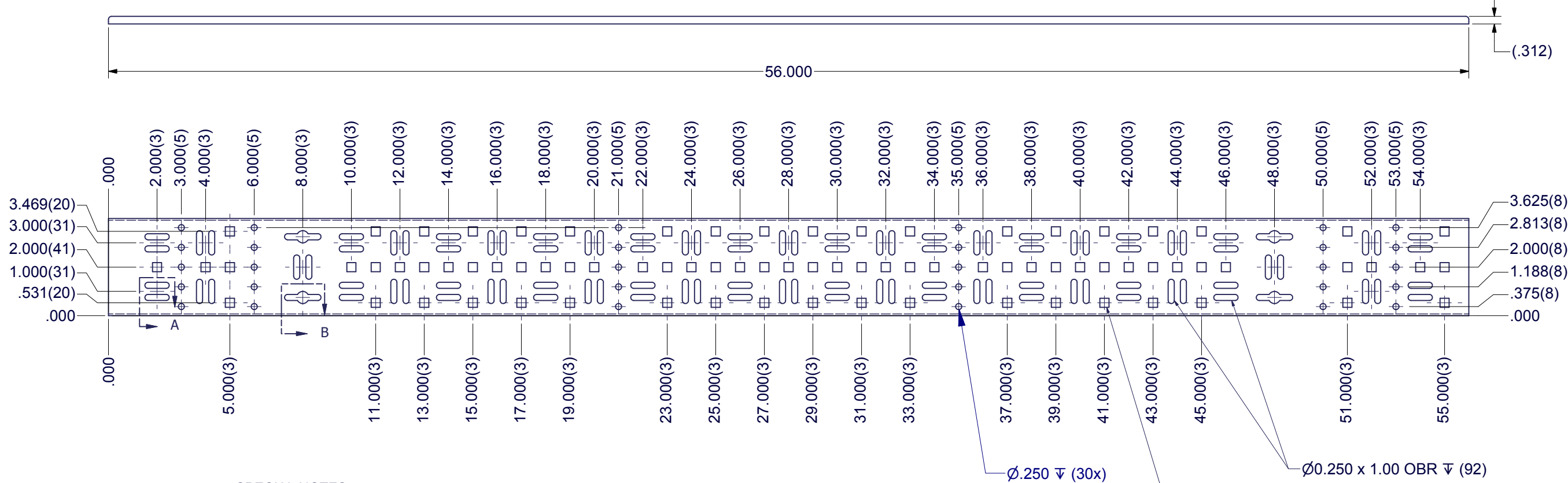
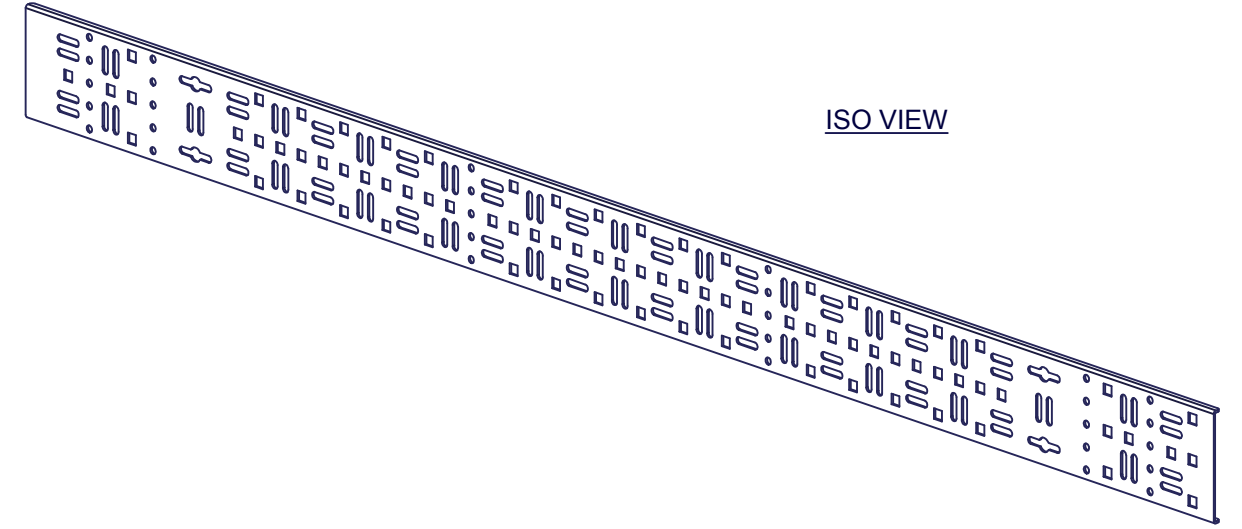
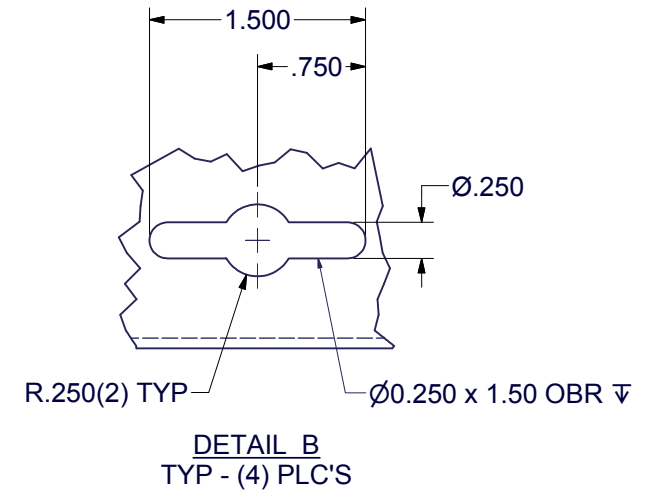
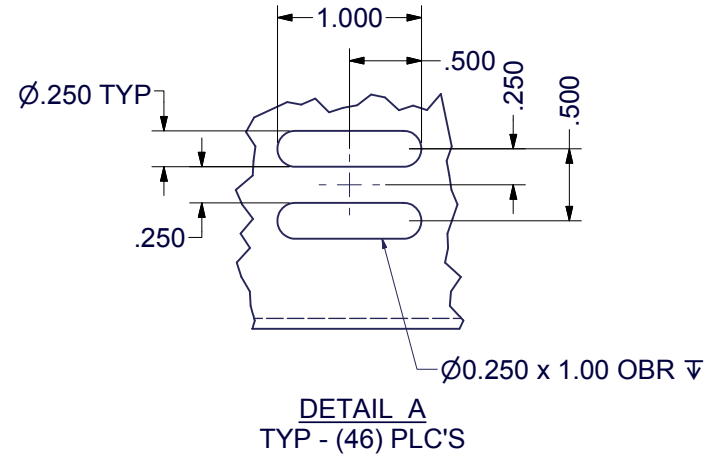


REVISION HISTORY			
REV	DESCRIPTION	DATE	APPROVED
0	ECO-06340	10/1/2014	FED



**SPECIAL NOTES:**

- 1) DIMENSIONS APPLY BEFORE APPLICATION OF FINISH:  
ADD .005" TO EACH SURFACE FOR INSPECTION.
- 2) TYPICAL BEND RADII = R0.030 x 90° INSIDE UNLESS NOTED OTHERWISE.
- 3) PREPARE ALL THREADS PRIOR TO WELD OR POWDERCOAT PER TD-09-109.
- 4) FINISH PER TD-09-103 (POWDER COAT), CLASS B, TEXTURE LEVEL 3, ALL SURFACES UNLESS NOTED OTHERWISE.
- 5) KIT HARDWARE WITH LACING BAR

EST. WEIGHT :  
4.30 lbmass



INTERPRET DRAWING PER ASME Y14.5M-1994  
DIMENSIONAL LIMITS APPLY  
AFTER APPLICATION OF FINISH  
DRAWING NOT TO SCALE  
TOLERANCE UNLESS OTHERWISE NOTED:  
ANGULAR +/- .1°  
.XXXX +/- .010  
.XXX +/- .015  
.XX +/- .030  
.X FOR REF. ONLY  
UNLESS OTHERWISE SPECIFIED  
ALL DIMENSIONS ARE IN INCHES

**NOTICE:**  
Use of this document is subject to a confidentiality and nondisclosure agreement with Great Lakes Case & Cabinet Co., Inc. (GLCC) and may not be reproduced, disclosed or utilized in whole or in part without prior written authorization from GLCC.

PART NUMBER:  
VCB72X100  
QTY PER UNIT: 1  
MATERIAL TYPE:  
CRS  
MATERIAL GAUGE:  
FINISH:  
SEE NOTES  
DRAWN  
FED  
CHECKED & APP.  
WSS  
DATE  
10/3/2014  
DATE  
10/1/2014

TITLE  
**VERTICAL CABLE BAR FOR 72"H 'E'/'ES' ENCLOSURE**  
GREAT LAKES CASE & CABINET CO., INC.  
P.O. BOX 551 EDINBORO, PA 16412  
PHONE (814) 734-7303 FAX (814) 734-3907  
E-MAIL glcc@greatcabinets.com  
DWG NO:  
1022483  
REV  
0  
SHEET: 1 OF 1