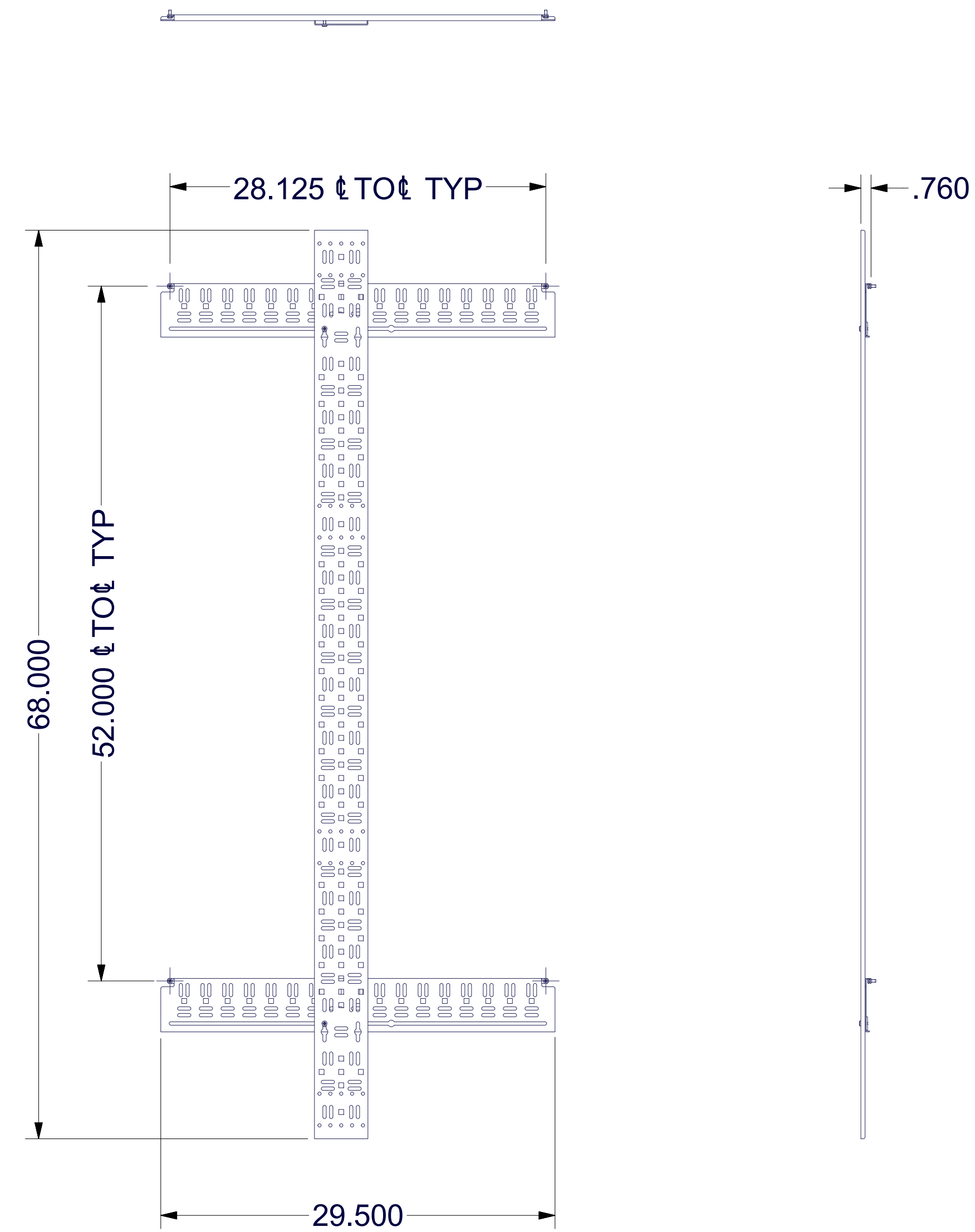
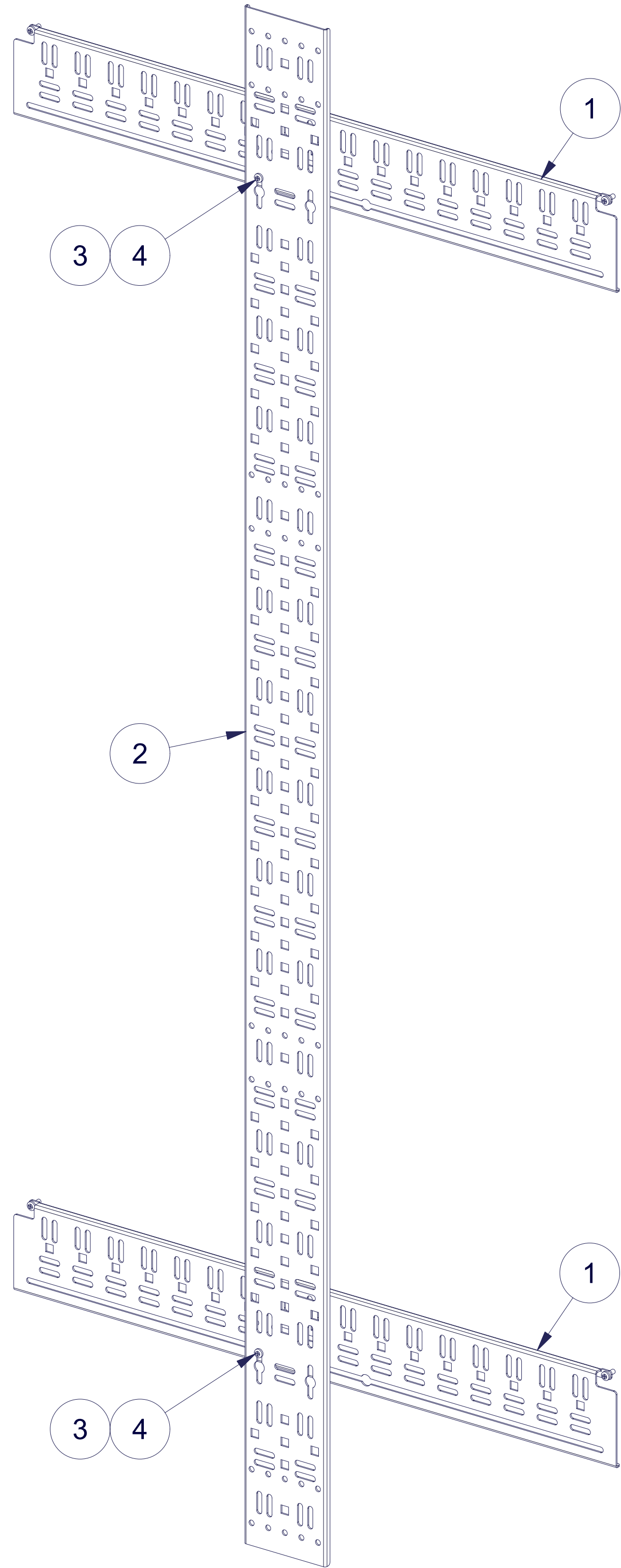


REVISION HISTORY			
REV	DESCRIPTION	DATE	APPROVED
0	ECO-06340	10/2/2014	FED
1	ECO-06510	3/19/2015	VL

Bill of Material						
ITEM	PART NUMBER	STOCK #	QTY	DESCRIPTION	FILE NAME	Rev
1	HCB36x100		2	HORIZONTAL CABLE BAR FOR 36", 42" or 48"D 'E/' 'ES' ENCLOSURE	I022481.iam	1
2	VCB84x100		1	VERTICAL CABLE BAR FOR 84"H 'E/' 'ES' ENCLOSURE	I022485.iam	0
3	LBSNX100		2	SLIDING NUT FOR LACING BARS	I000631.ipt	2
4		H01-078	2	SCREW, 10-32x1/2" PH PAN TYPE 23 RBZ	SCR1032X500BLK.ipt	-
5	CM01		6	CABLE CINCH STRAP, 12"L x 3/4"W (NOT SHOWN)	CM01	-



SPECIAL NOTE:

- 1) REFER TO PURCHASE ORDER - SPECIAL REQUIREMENTS MAY APPLY!
- 2) PACK SEPARATELY & BULK SHIP AS A KIT UNLESS THIS UNIT IS TO BE MOUNTED AS PART OF A NEWLY BUILT ENCLOSURE.

ISO VIEW

EST. WEIGHT :
N/A

THIRD ANGLE PROJECTION

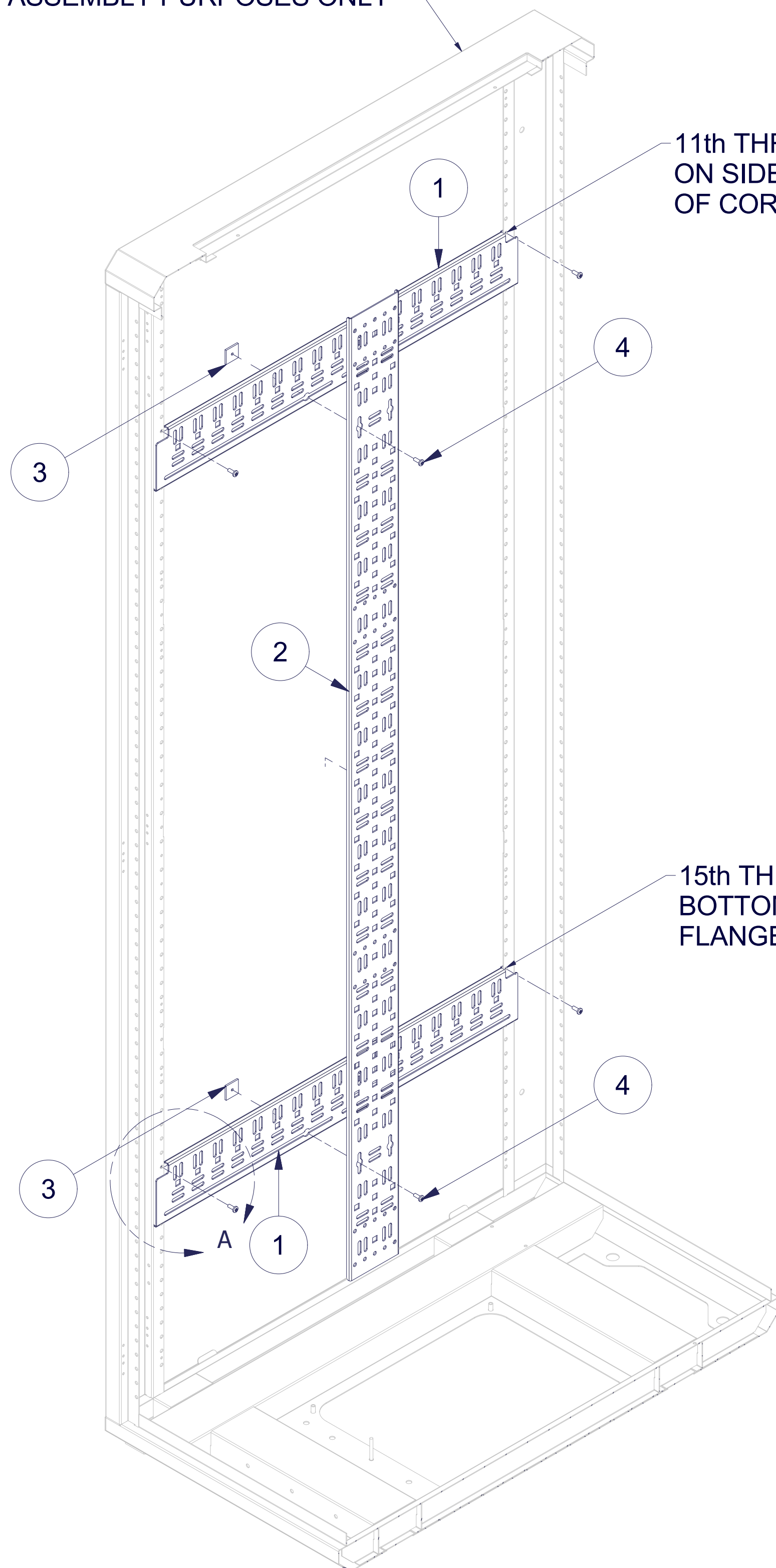
INTERPRET DRAWING PER ASME Y14.5M-1994
DIMENSIONAL LIMITS APPLY AFTER APPLICATION OF FINISH
DRAWING NOT TO SCALE
TOLERANCE UNLESS OTHERWISE NOTED:
ANGULAR +/- 1'
.XXXX +/- .010
.XXX +/- .015
.XX +/- .030
.X FOR REF. ONLY
UNLESS OTHERWISE SPECIFIED ALL DIMENSIONS ARE IN INCHES

NOTICE:
Use of this document is subject to a confidentiality and nondisclosure agreement with Great Lakes Case & Cabinet Co., Inc. (GLCC) and may not be reproduced, disclosed or utilized in whole or in part without prior written authorization from GLCC.

PART NUMBER: VCB8436X200
QTY PER UNIT: 1
MATERIAL TYPE: CRS
MATERIAL GAUGE:
FINISH: POWDERCOATED
DRAWN: JAL DATE: 9/19/2014
CHECKED & APP.: WSS DATE: 10/2/2014

TITLE: VERTICAL CABLE BAR KIT FOR 84"H x 36", 42" & 48"D, 'E/' 'ES' ENCLOSURES
GREAT LAKES CASE & CABINET CO., INC.
P.O. BOX 551 EDINBORO, PA 16412
PHONE (814) 734-7303 FAX (814) 734-3907
E-MAIL glcc@greatcabinets.com
DWG NO: I022493
REV: 1
SHEET: 1 OF 2

PARTIAL FRAME SHOWN FOR ASSEMBLY PURPOSES ONLY

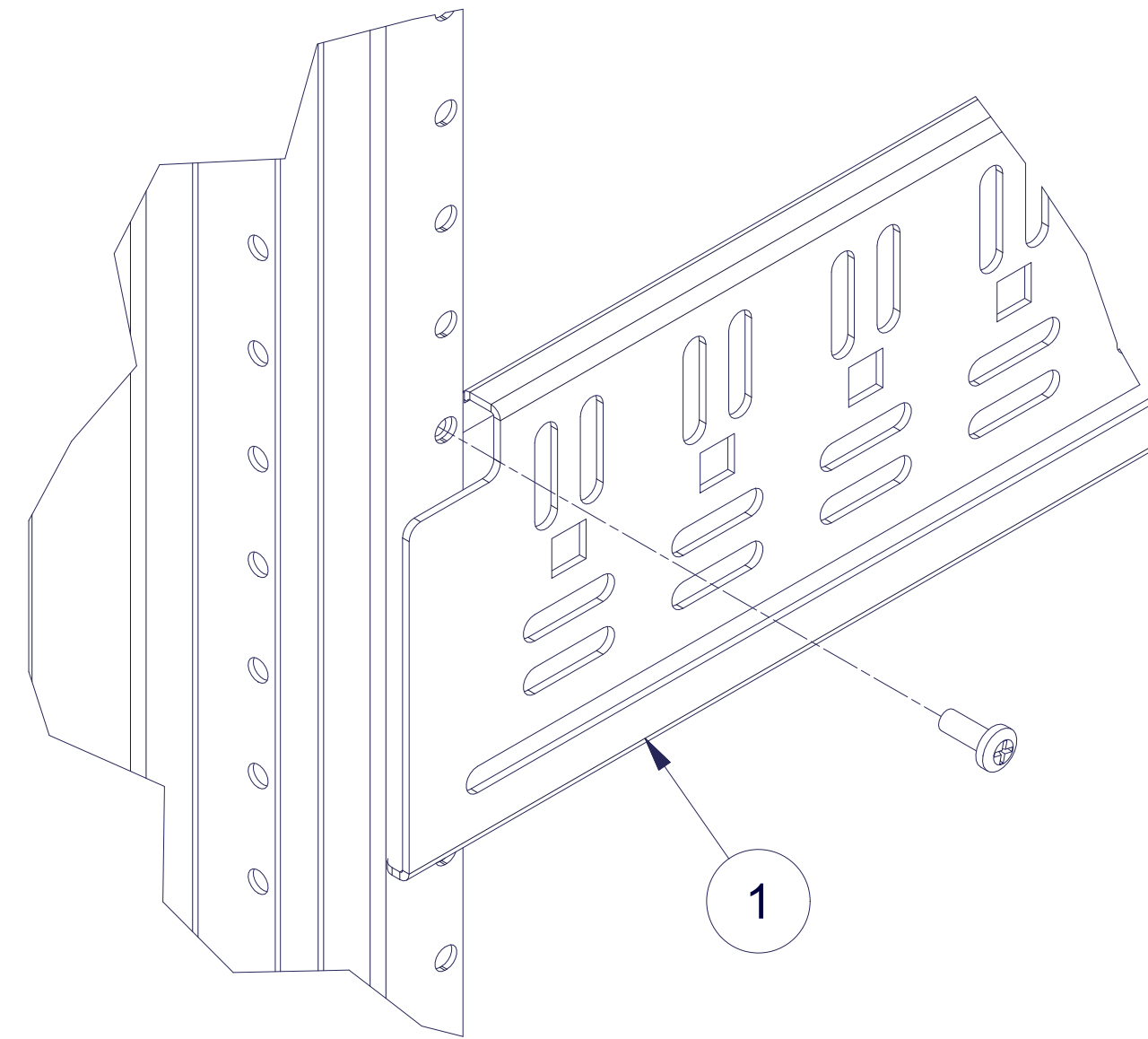


ISO VIEW

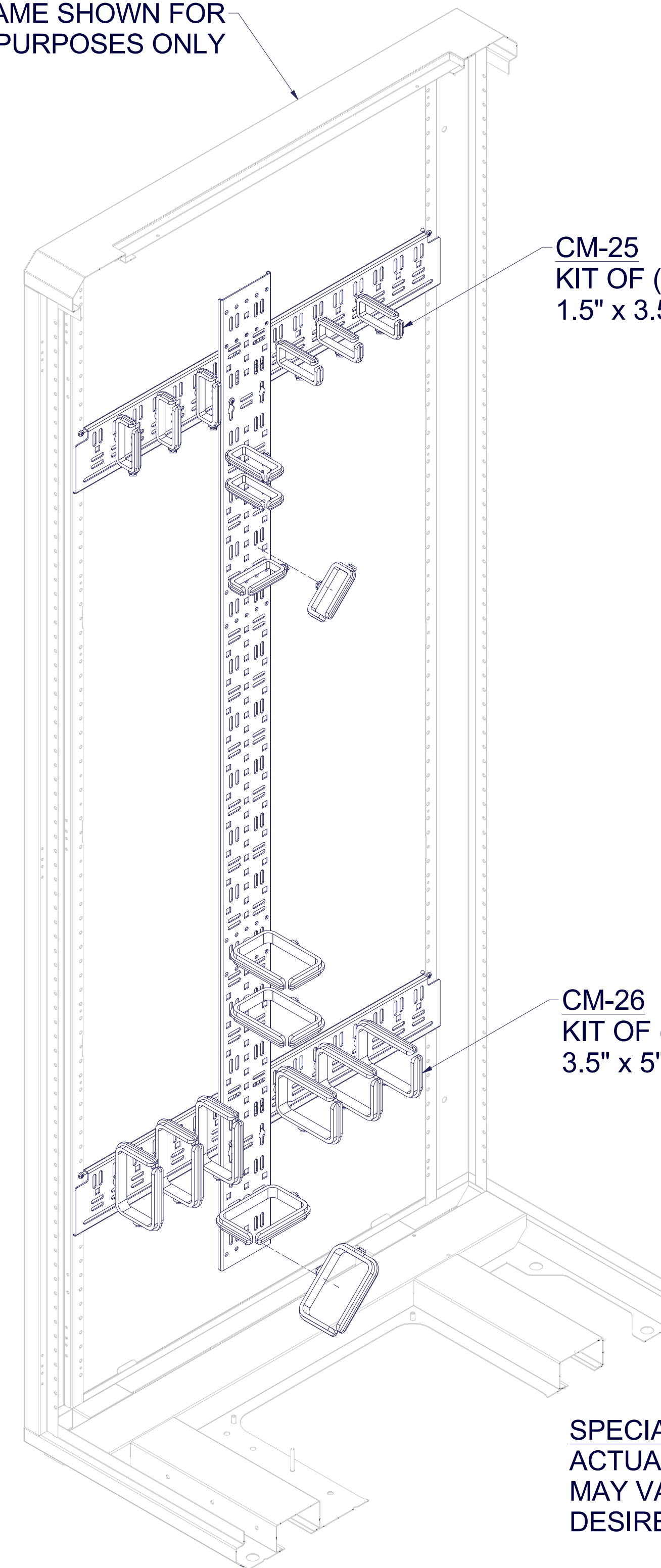
11th THRU HOLE FROM TOP ON SIDE PANEL FLANGE OF CORNERPOST

15th THRU HOLE FROM BOTTOM ON SIDE PANEL FLANGE OF CORNERPOST

PARTIAL FRAME SHOWN FOR ASSEMBLY PURPOSES ONLY



DETAIL A



ISO VIEW

CM-25 KIT OF (10), 1/4 TURN "D" RINGS, 1.5" x 3.5" (OPTIONAL)

CM-26 KIT OF (10), 1/4 TURN "D" RINGS, 3.5" x 5" (OPTIONAL)

SPECIAL NOTE:
ACTUAL LOCATION OF "D" RINGS
MAY VARY BASED ON CUSTOMER
DESIRED LOCATION FOR INSTALLATION

1
EST. WEIGHT :
N/A
THIRD ANGLE
PROJECTION

INTERPRET DRAWING PER ASME Y14.5M-1994
DIMENSIONAL LIMITS APPLY
AFTER APPLICATION OF FINISH
DRAWING NOT TO SCALE
TOLERANCE UNLESS OTHERWISE NOTED:
ANGULAR +/- .1"
.XXXX +/- .010
.XXX +/- .015
.XX +/- .030
.X FOR REF. ONLY
UNLESS OTHERWISE SPECIFIED
ALL DIMENSIONS ARE IN INCHES

NOTICE:
Use of this document is subject to a confidentiality and nondisclosure agreement with Great Lakes Case & Cabinet Co., Inc. (GLCC) and may not be reproduced, disclosed or utilized in whole or in part without prior written authorization from GLCC.

PART NUMBER:
VCB8436X200
QTY PER UNIT: 1
MATERIAL TYPE:
CRS
MATERIAL GAUGE:
FINISH: POWDERCOATED
DRAWN: JAL
CHECKED & APP.: WSS
DATE: 9/19/2014
DATE: 10/2/2014

TITLE: VERTICAL CABLE BAR KIT FOR 84"H x 36", 42" & 48"D, 'E'/'ES' ENCLOSURES
GREAT LAKES CASE & CABINET CO., INC.
P.O. BOX 551 EDINBORO, PA 16412
PHONE (814) 734-7303 FAX (814) 734-3907
E-MAIL glcc@greatcabinets.com
DWG NO: 1022493
REV 1
SHEET: 2 OF 2