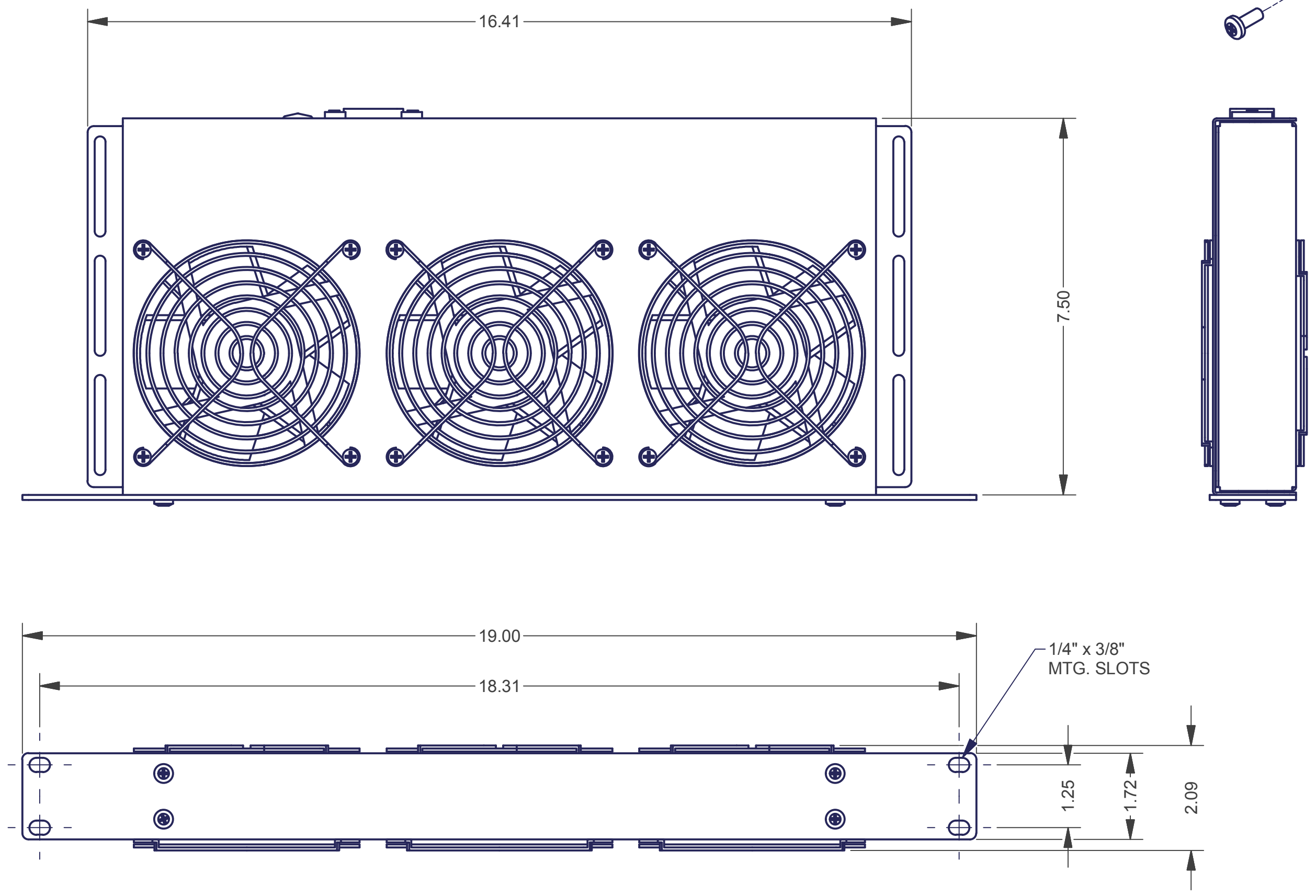
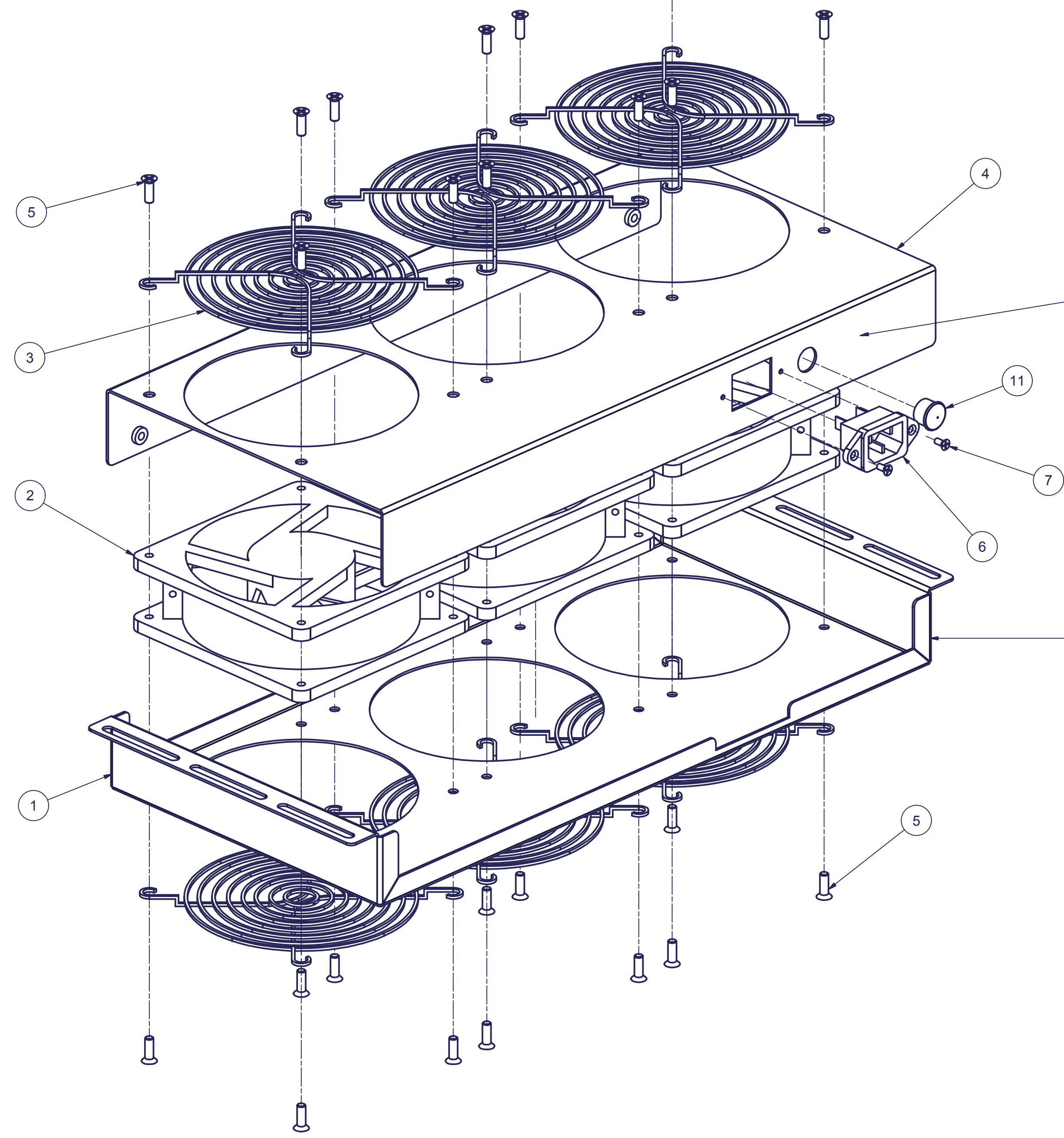
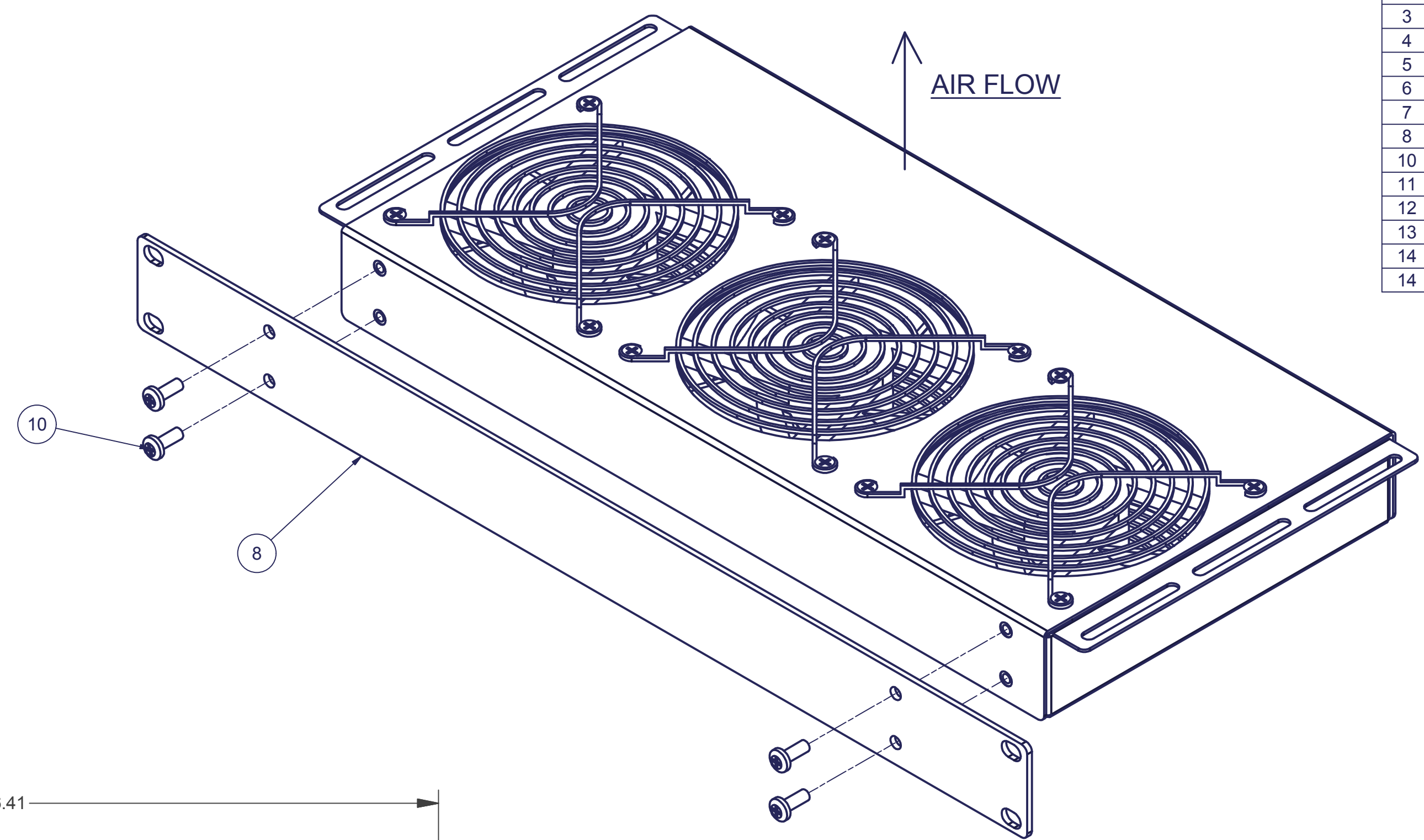


REVISION HISTORY			
REV	DESCRIPTION	DATE	APPROVED
13	ECO-03112	1/28/2011	FED

		Bill of Material		FILE NAME	REVISION NUMBER	
ITEM	PART NUMBER	STOCK NU	QTY	DESCRIPTION		
1	FT01X100		1	3 FAN TRAY BOTTOM	I006638.ipt	8
2	XF01		3	FAN, 75 CFM, 115 VAC (ORION #0A109AP-11-3TB832 OR EQUIV)	XF01.ipt	2
3	XF02BUL		6	FAN GUARD 4" BLACK ZINC, KNIGHT #G109-15B-1	XF02BUL.ipt	1
4	FT02X100		1	FAN TRAY TOP	I006639.iam	11
5	8-32x500SCMACBL		24	#8-32 x 1/2" LG BLACK PHIL. FLAT HEAD MACHINE SCREW	8-32x500SCMACBL.ipt	-
6	07071CW		1	IEC CONNECTOR - ARCO	07071CW.ipt	-
7	0404RPF		2	#4-40 x 1/4" TAPTITE PHIL FLAT HD ZN. PL. SCREW	0404RPF.ipt	-
8	FT10X100		1	FRONT PANNEL	I006647.ipt	2
10	H01-078	H01-078	4	SCREW, 10-32x1/2" PH PAN TYPE 23 BLACK OXIDE/WAX RoHS (SCR1032X500BLK)	H01-078.ipt	-
11	2643		1	HEYCO HOLE PLUG #2643, .5" HOLE DIA., BLACK	2643.ipt	-
12	C45-3DCT		1	3 FAN POWER HARNESS (KNIGHT ELEC.)		
13	XF32		1	3 FAN GROUNDING HARNESS		
14	XF034IEC		1	POWER CORD, 4 Ft.Lg.w/IEC CONN. (QUALTEK)		
14	M4.7X12PPMSBL		3	M4 x 12 PAN HEAD PHIL SCREW (DELL #M04012MPP1BZRO)	M4 x 12 pan head.ipt	-



SPECIFICATIONS:
 CFM: (75/ FAN) x 3 = 225
 VAC = 115
 Hz = 50/60
 WATTS = 45
 LINE AMPS = 0.39A
 dba = 34 TO 37

PART NO.	C.F.M.	AMP.
7217-WS	150	0.4
7217	225	0.6
7217-FT	225	0.6
7217-FT3	225	0.6
7217-FT6	450	1.2
7217-FT9	675	1.8

115 VAC 50/60 Hz.

INTERPRET DRAWING PER ASME Y14.5M-1994
 DIMENSIONAL LIMITS APPLY
 AFTER APPLICATION OF FINISH
 DRAWING NOT TO SCALE
 TOLERANCE UNLESS OTHERWISE NOTED:
 ANGULAR +/- .1"
 .XXXX +/- .010
 .XXX +/- .015
 .XX +/- .030
 .X FOR REF. ONLY
 UNLESS OTHERWISE SPECIFIED
 ALL DIMENSIONS ARE IN INCHES

NOTICE:
 Use of this document is subject to a confidentiality and nondisclosure agreement with Great Lakes Case & Cabinet Co., Inc. (GLCC) and may not be reproduced, disclosed or utilized in whole or in part without prior written authorization from GLCC.

PART NUMBER: **7217FT**
 QTY PER UNIT: 1
 MATERIAL TYPE: CRS
 MATERIAL GAUGE: SEE DETAILS
 FINISH: BLACK POWDERCOAT
 DRAWN CD DATE 11/21/2008
 CHECKED & APP. WSS DATE 1/28/2011

TITLE: **FAN TRAY 3 FAN 115V ASSEMBLY**
 GREAT LAKES CASE & CABINET CO., INC.
 P.O. BOX 551 EDINBORO, PA 16412
 PHONE (814) 734-7303 FAX (814) 734-3907
 E-MAIL glcc@greatcabinets.com
 DWG NO: **7217FT** REV: **13** SHEET: 1 OF 1

