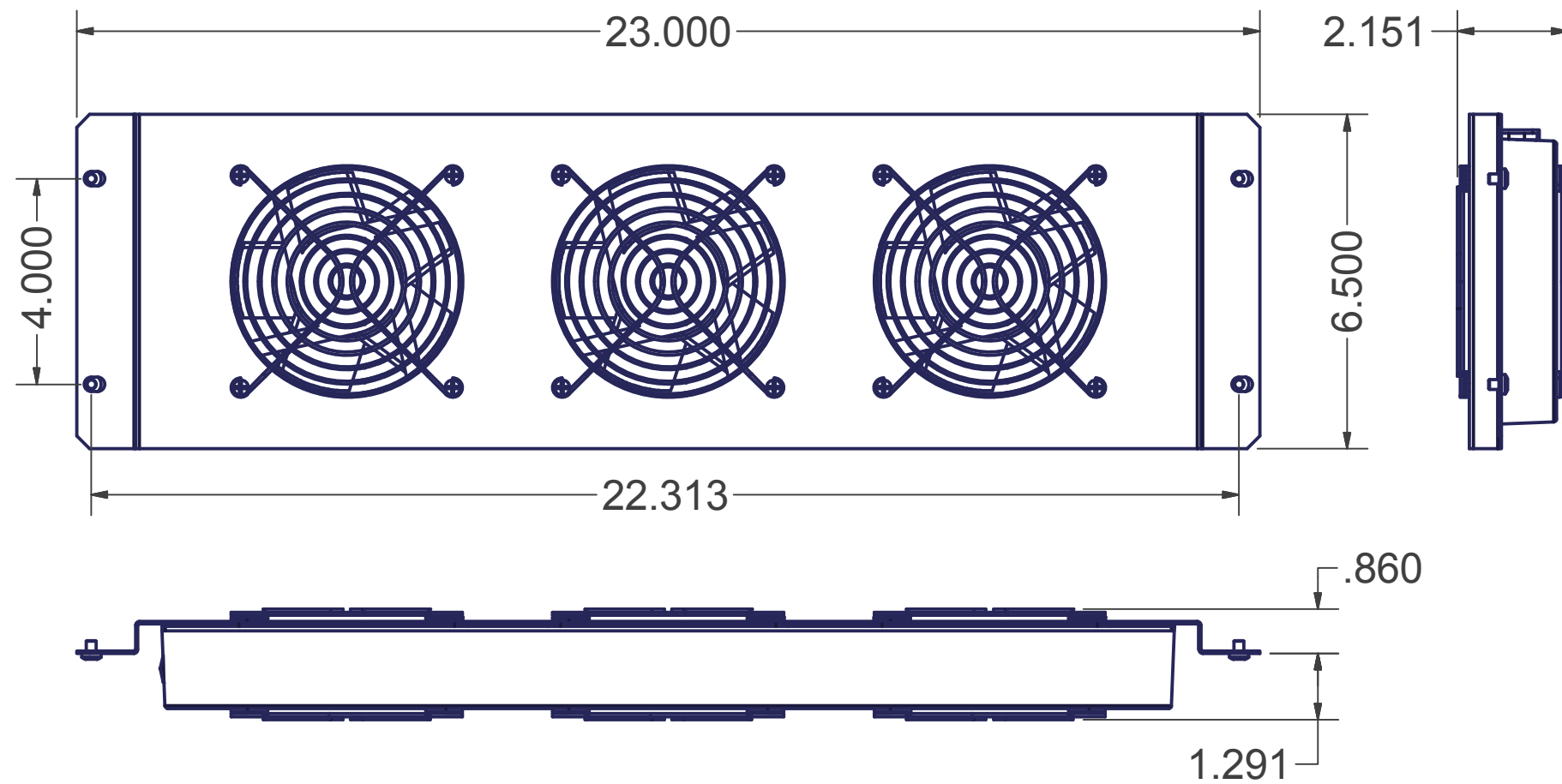
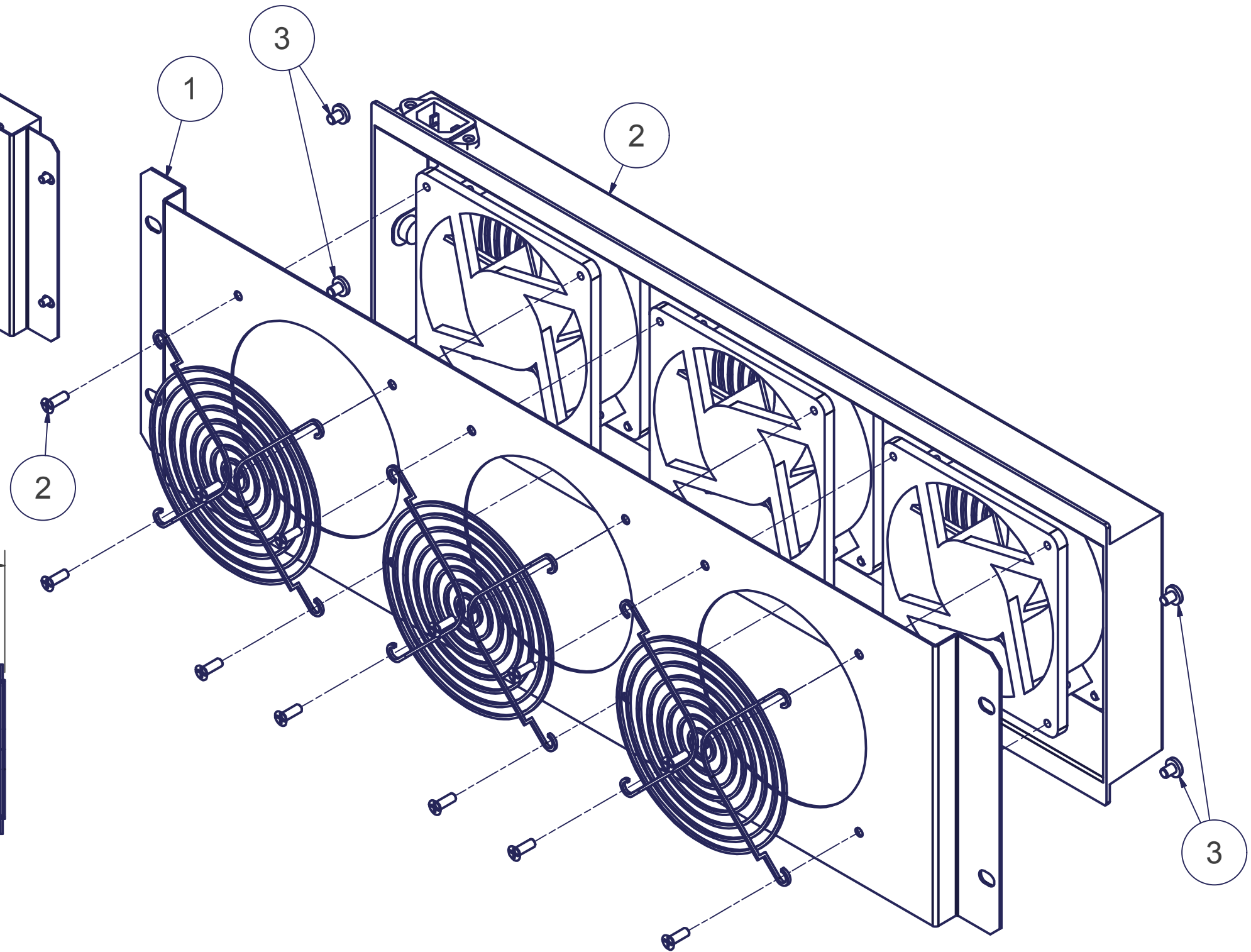
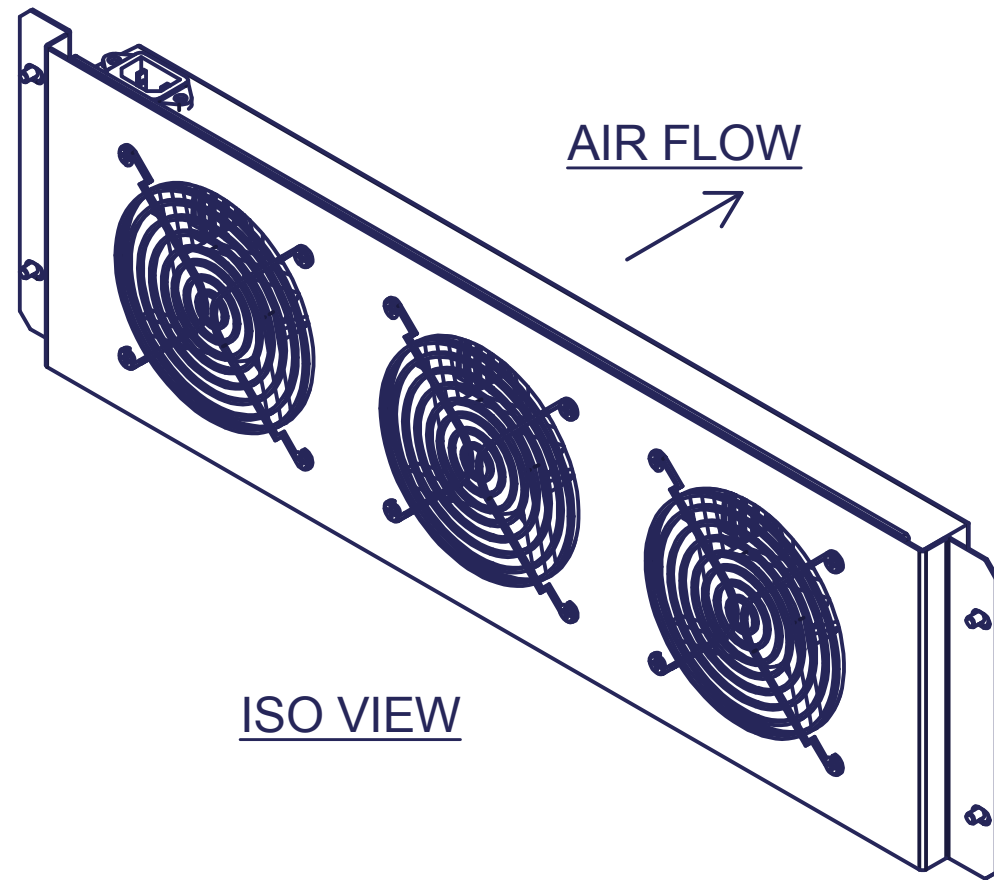


REVISION HISTORY			
REV	ECO NUMBER	DATE	APPROVED
2	ECO-03112	1/24/2011	FED

					Bill of Material		
ITEM	PART NUMBER	STOCK NU	QTY	DESCRIPTION	FILE NAME	REV	
1	7217LE3X100		1	29"W MESH CONTOUR DOOR 3 FAN MOUNTING BRACKET, DETAIL	I005939.ipt	0	
2	7217X203		1	(3) 4" DIA FAN TRAY, 110V, 225cfm, DWG. # GL001693	7217X203.iam	7	
3	H01-073	H01-073	4	SCREW, 10-32x1/4 PH PAN TYPE 23 BLACK OXIDE/WAX RoHS	SCR1032X250BLK23.ipt	-	
4	2400-SCC		1	SELF-CLOSING WIRE CLIP, ADHESIVE MOUNT	2400-SCC.ipt	-	
5	LBGL7217LE3		1	PART # LABEL: AVERY #5164, GRAPHIC SUPPLIED BY GLCC	LBGL7217LE3.ipt	0	
6	XF02IEC		1	FAN CORD, 2' LONG, 90 DEGREE IEC CONN., 5-15P PLUG (KNIGHT #28232-20-01)	XF02IEC.ipt	-	
7	XF05IEC		1	FAN CORD, 6' LONG, IEC CONN., 5-15P PLUG (KNIGHT #28232-60-01)	XF05IEC.ipt	-	
8	GL-LEC		1	LAKE EFFECT COOLING INSTRUCTION SHEET	GL-LEC.ipt	0	

**SPECIFICATIONS:**

CFM: (75/ FAN) x 3 = 225  
 VAC = 115/230  
 Hz = 50/60  
 WATTS = 24  
 LINE AMPS = .21A  
 dba = 39 TO 42



INTERPRET DRAWING PER ASME Y14.5M-1994
DIMENSIONAL LIMITS APPLY AFTER APPLICATION OF FINISH
DRAWING NOT TO SCALE
TOLERANCE UNLESS OTHERWISE NOTED:
ANGULAR +/- 1'
.XXXX +/- .010
.XXX +/- .015
.XX +/- .030
.X FOR REF. ONLY
UNLESS OTHERWISE SPECIFIED ALL DIMENSIONS ARE IN INCHES

**NOTICE:**  
 Use of this document is subject to a confidentiality and nondisclosure agreement with Great Lakes Case & Cabinet Co., Inc. (GLCC) and may not be reproduced, disclosed or utilized in whole or in part without prior written authorization from GLCC.

PART NUMBER:	7217LE3
QTY PER UNIT:	1
MATERIAL TYPE:	-
MATERIAL GAUGE:	-
FINISH:	-
DRAWN:	JL
DATE:	8/11/2004
CHECKED & APP.:	WSS
DATE:	1/24/2011

TITLE		29"W MESH CONTOUR DOOR 3-FAN MOUNTING KIT	
GREAT LAKES CASE & CABINET CO., INC.			
P.O. BOX 551 EDINBORO, PA 16412			
PHONE (814) 734-7303 FAX (814) 734-3907			
E-MAIL glcc@greatcabinets.com			
DWG NO:	7217LE3	REV	2
SHEET: 1 OF 1			

