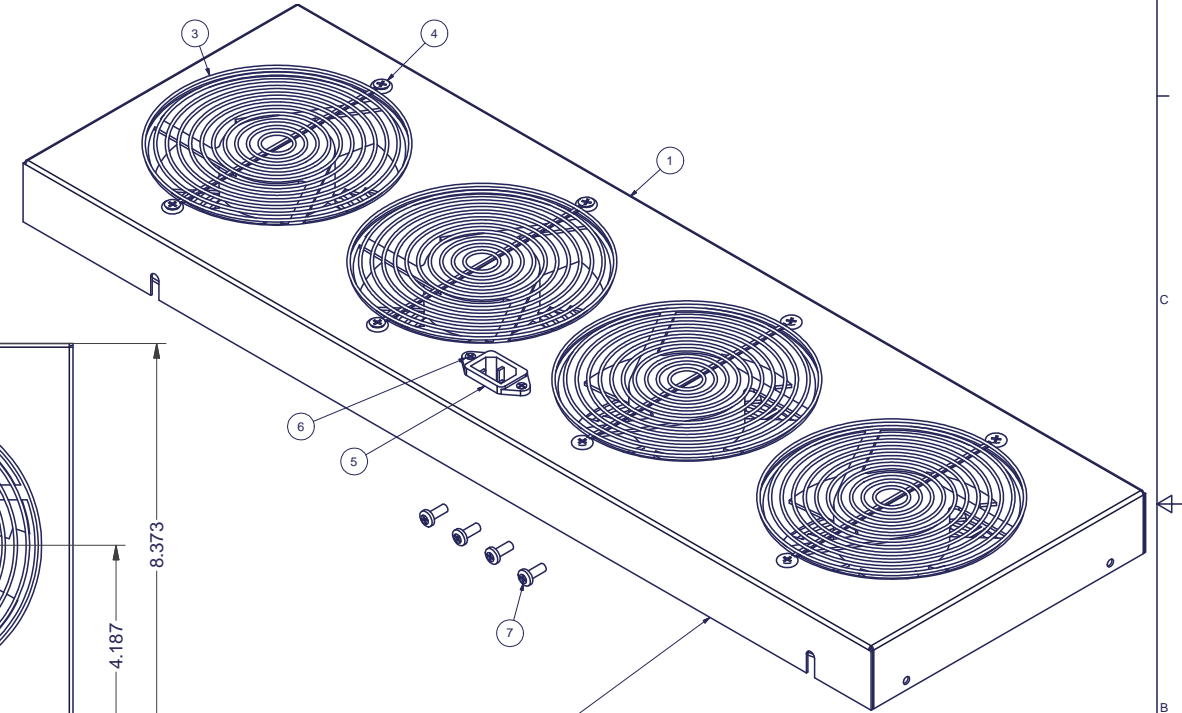
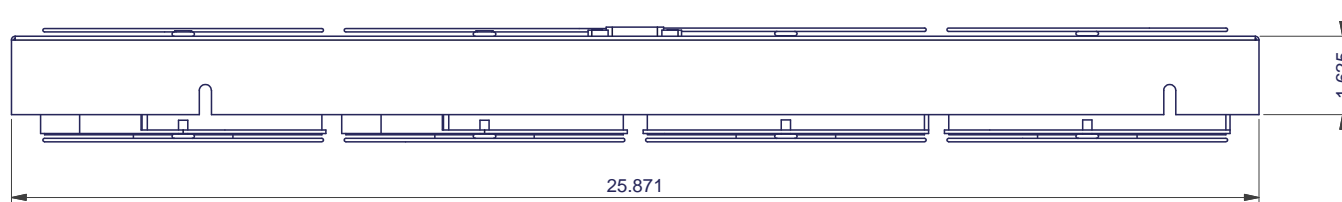
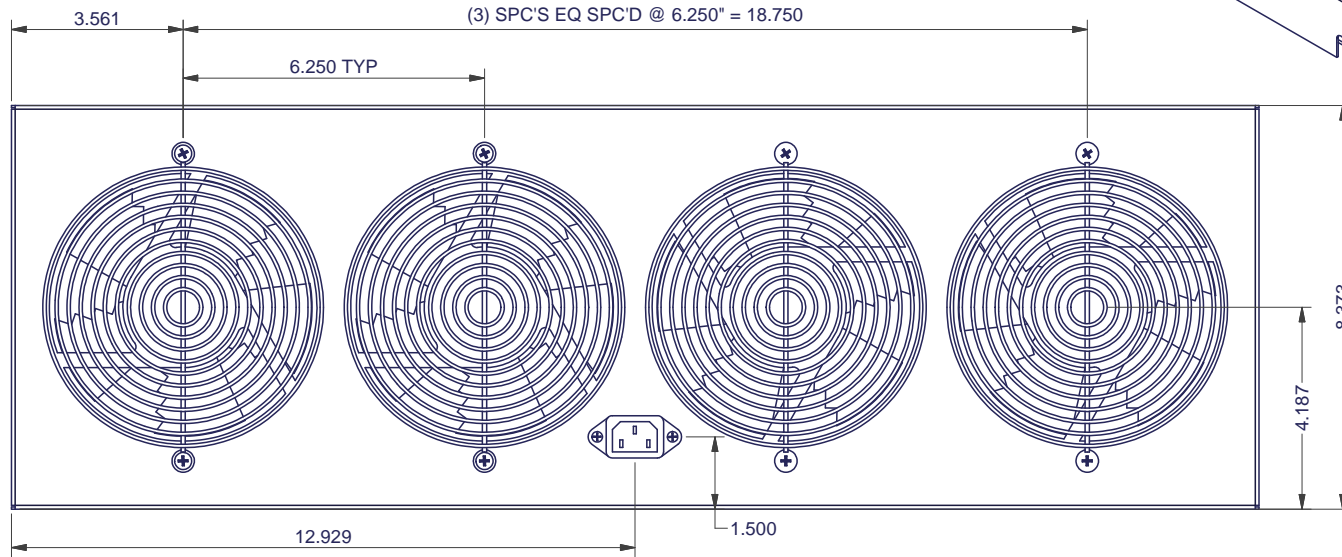


REVISION HISTORY			
REV	DESCRIPTION	DATE	APPROVED
0	ECO-03263	6/24/2011	FED

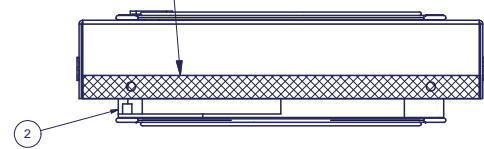
SPECIAL NOTES:

1. ASSEMBLE AS SHOWN.
2. BAG HARDWARE SEPERATELY.
3. SHIP AS KIT ASSEMBLED & w/ HARDWARE.

Bill of Material						
ITEM	PART NUMBER	STOCK NUMBER	QTY	DESCRIPTION	FILE NAME	REVISION
1	ADHFFTES2442X100		1	AIR DIVERTER HIGH FLOW FAN TRAY FOR 24"W x 42"D ES BOTTOM PANEL	I012005.ipt	0
2	OA172SAP-11-1		4	ORION 235 CFM FAN, 110V - KNIGHT ELECTRONICS	OA172SAP-11-1.ipt	
3	G172-10HA		8	FINGER GUARD, 172 SERIES FANS, BLACK	G172-10HA.ipt	
4	H01-069	H01-069	16	SCREW, 10-32x3/8" PH FLAT TYPE 23 BLACK OXIDE/WAX RoHS (SCR1032X375FHBLK23)	H01-069.ipt	
5	07071CW		1	IEC CONNECTOR - ARCO	07071CW.ipt	
6	0404RPF		2	#4-40 x 1/4" TAPTITE PHIL FLAT HD ZN. PL. SCREW	0404RPF.ipt	
7	H01-078	H01-078	4	SCREW, 10-32x1/2" PH PAN TYPE 23 BLACK OXIDE/WAX RoHS (SCR1032X500BLK)	H01-078.ipt	
8	GASKET 0.500 x 0.0625		5.5	1/16" x 1/2" NEOPRENE GASKET WITH PSA		
9	C45-2DCT		2	POWER HARNESS - FOR 2 FANS KNIGHT ELECTRIC		
10	XF34		2	GROUNDING HARNESS - 2 FAN ASSEMBLY		
11	XF05IEC		1	POWER CORD, 6 FEET LONG, IEC CONNECTOR.		

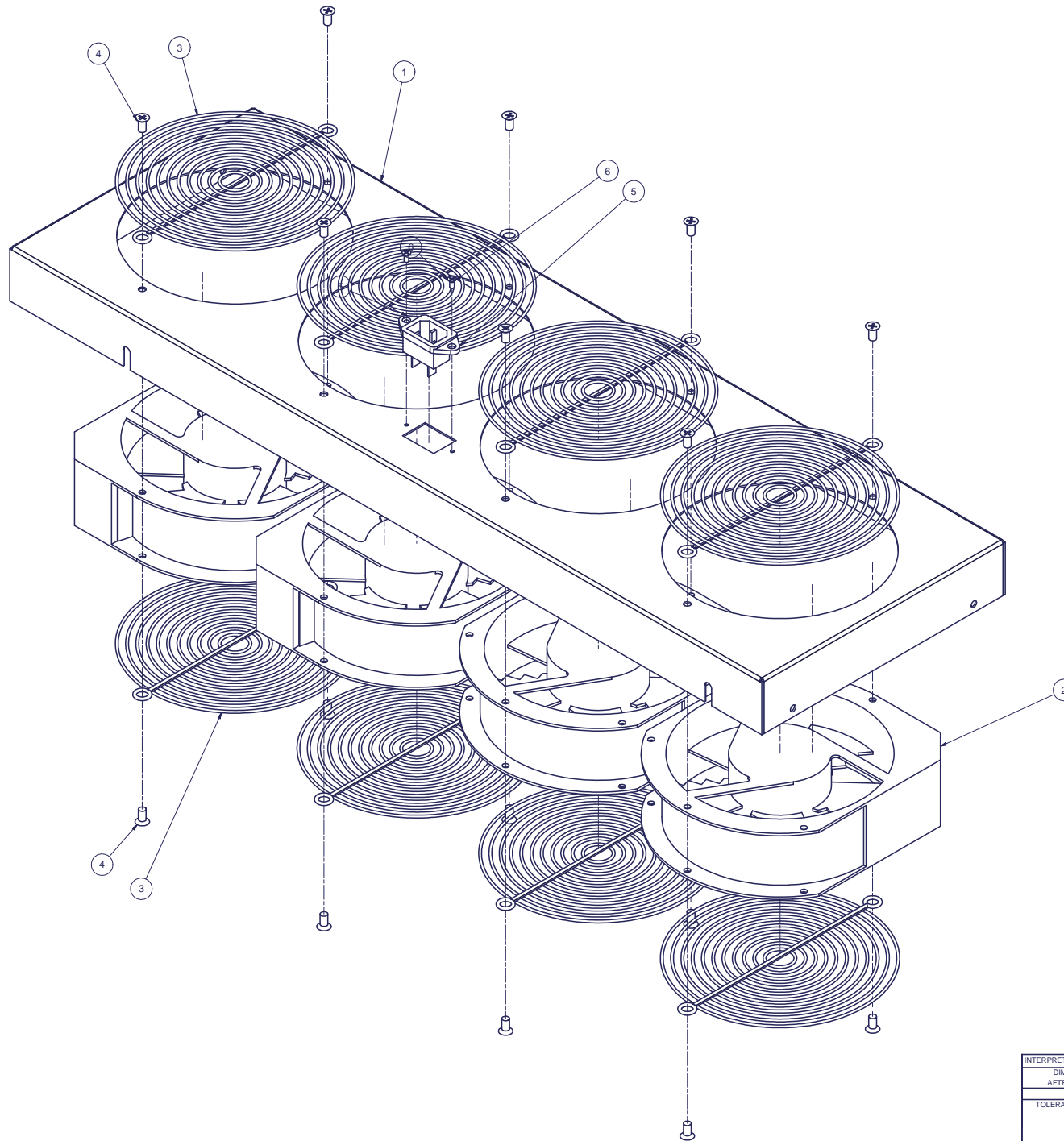


8 PLACE GASKET 0.500"W x 0.0625" THK ON ALL SIDES. DO NOT COVER NOTCHES ON SIDES WITH GASKET. IT SHOULD BE ALL ALONG BOTTOM MATERIAL EDGES ON THE OUTSIDE WHERE SHOWN.



INTERPRET DRAWING PER ASME Y14.5M-1994 DIMENSIONAL LIMITS APPLY AFTER APPLICATION OF FINISH DRAWING NOT TO SCALE TOLERANCE UNLESS OTHERWISE NOTED: ANGULAR +/- .1 .XXXX +/- .010 .XXX +/- .015 .XX +/- .030 .X FOR REF. ONLY UNLESS OTHERWISE SPECIFIED ALL DIMENSIONS ARE IN INCHES	NOTICE: Use of this document is subject to a confidentiality and nondisclosure agreement with Great Lakes Case & Cabinet Co., Inc. (GLCC) and may not be reproduced, disclosed or utilized in whole or in part without prior written authorization from GLCC.	PART NUMBER: ADHFFTES2442X200	TITLE: AIR DIVERTER HIGH FLOW FAN TRAY FOR 24"W x 42"D ES' BOTTOM PANEL - TOP LEVEL ASSEMBLY
		QTY PER UNIT: 1	MATERIAL TYPE: CRS
		MATERIAL GAUGE: SEE DETAILS	FINISH: POWDERCOATED
		DRAWN FED	DATE 6/23/2011
CHECKED & APP. WSS		DATE 6/24/2011	SHEET: 1 OF 2





SEE SHEET 1 OF 2 FOR NOTES & PARTS LIST.

INTERPRET DRAWING PER ASME Y14.5M-1994 DIMENSIONAL LIMITS APPLY AFTER APPLICATION OF FINISH DRAWING NOT TO SCALE TOLERANCE UNLESS OTHERWISE NOTED: ANGULAR +/- 1° .XXX +/- .015 .XX +/- .030 .X FOR REF. ONLY UNLESS OTHERWISE SPECIFIED ALL DIMENSIONS ARE IN INCHES	NOTICE: Use of this document is subject to a confidentiality and nondisclosure agreement with Great Lakes Case & Cabinet Co., Inc. (GLCC) and may not be reproduced, disclosed or utilized in whole or in part without prior written authorization from GLCC.	PART NUMBER: ADHFFTES2442X200	TITLE: AIR DIVERTER HIGH FLOW FAN TRAY FOR 24"W x 42"D ES' BOTTOM PANEL - TOP LEVEL ASSEMBLY
		QTY PER UNIT: 1	GREAT LAKES CASE & CABINET CO., INC. P.O. BOX 551 EDINBORO, PA 16412 PHONE (814) 734-7303 FAX (814) 734-3907 E-MAIL glcc@greatcabinets.com
		MATERIAL TYPE: CRS	FINISH: POWDERCOATED
		MATERIAL GAUGE: SEE DETAILS	DRAWN DATE: FED 6/23/2011
		CHECKED & APP. DATE: WSS 6/24/2011	DWG NO.: 1012004
THIRD ANGLE PROJECTION		REV: 0	SHEET: 2 OF 2