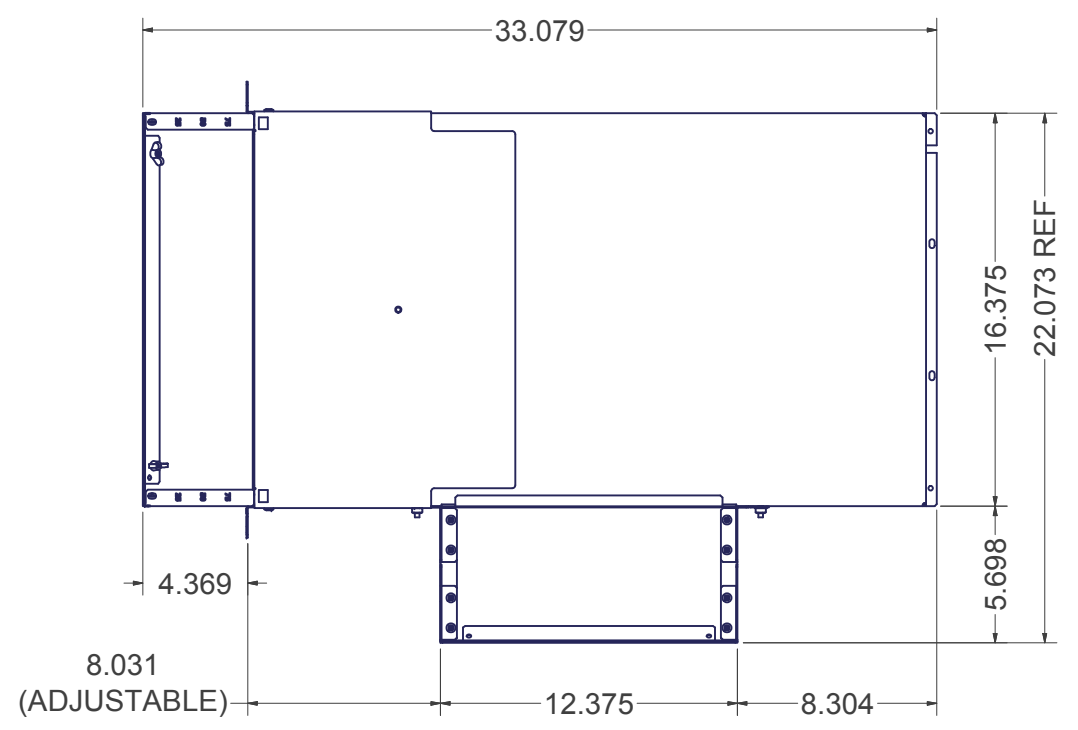


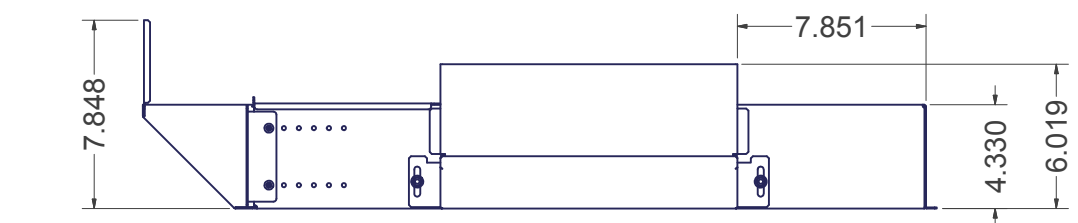
REVISION HISTORY			
REV	DESCRIPTION	DATE	APPROVED
0	ECO-06043	10/14/2013	CDM

Bill of Material						
ITEM	PART NUMBER	STOCK NUMBER	QTY	DESCRIPTION	FILE NAME	REV
1			1	BOTTOM, SIDE AIR DIVERTER, MAIN BODY DETAIL	I019993.iam	0
2			1	BOTTOM AIR DIVERTER, SIDE DEFLECTOR PLATE DETAIL	I019994.ipt	0
3			1	BOTTOM AIR DIVERTER, VERTICAL AIR GUIDE	I019995.iam	0
4			1	BOTTOM AIR DIVERTER, AIR DIVERTER HALF	I019996.ipt	0
5			2	ADJUSTABLE RAIL MOUNTING BRACKET	I019997.ipt	0
6			1	BOTTOM AIR DIVERTER, FRONT DEFLECTOR PLATE	I019998.iam	0
7			1	BOTTOM AIR DIVERTER, AIRFLOW ADJUSTMENT PLATE	I020245.iam	0
8			1	BOTTOM AIR DIVERTER, VERTICAL AIR GUIDE	I007935.ipt	0
9	H03-016	H03-016	3	WASHER, #10 FLAT 3/16" RBZ	H03-016.ipt	-
10	H02-005	H02-005	3	#10-32 ELASTIC STOP NUT, 2ZN3687	H02-005.ipt	-
11	10/32WING	H02-004	2	#10-32 WING NUT 2ZN36616	10-32WING.ipt	-
12	H01-068	H01-068	16	SCREW, 10-32x3/8" Ph PAN TYPE 23 BLACK ZINC RoHS	H01-068.ipt	-

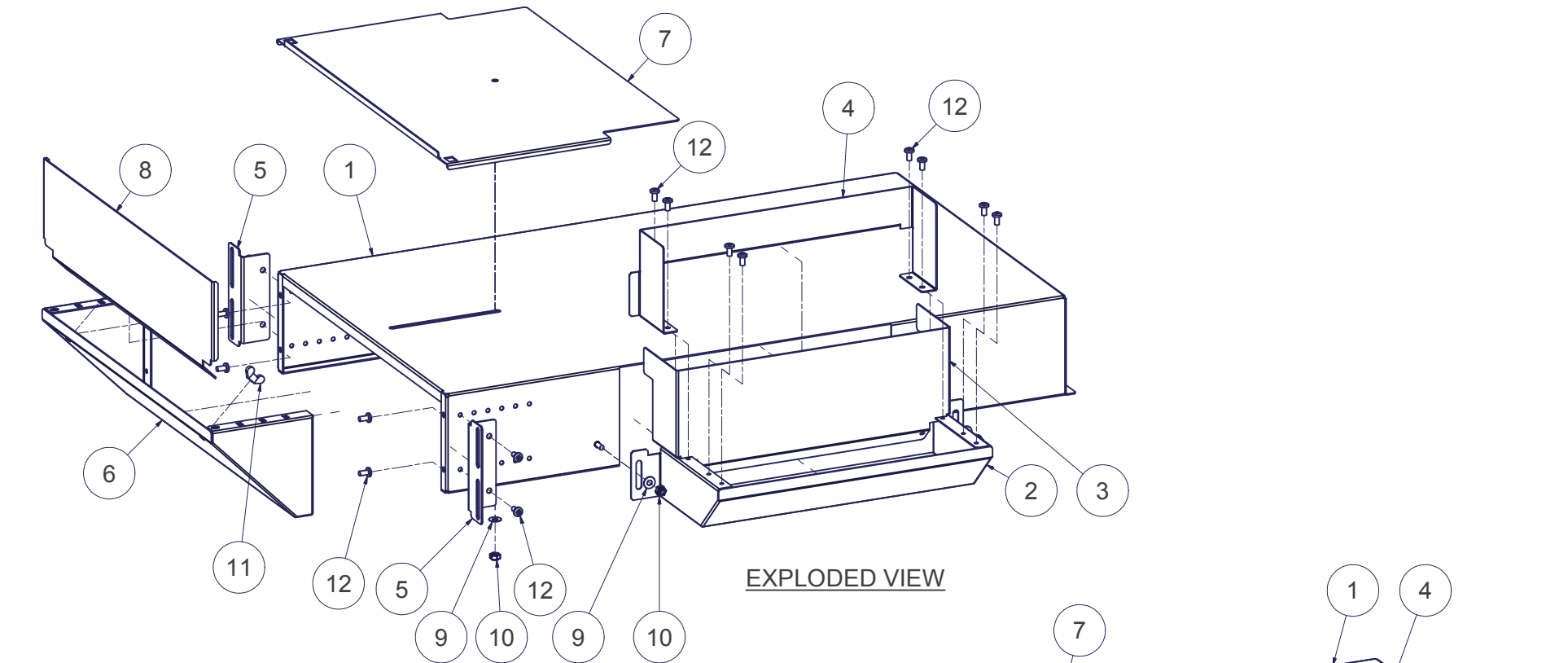
SPECIAL NOTE:
1) ASSEMBLE AS SHOWN.



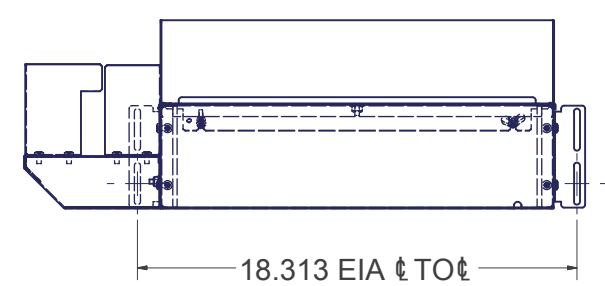
TOP VIEW



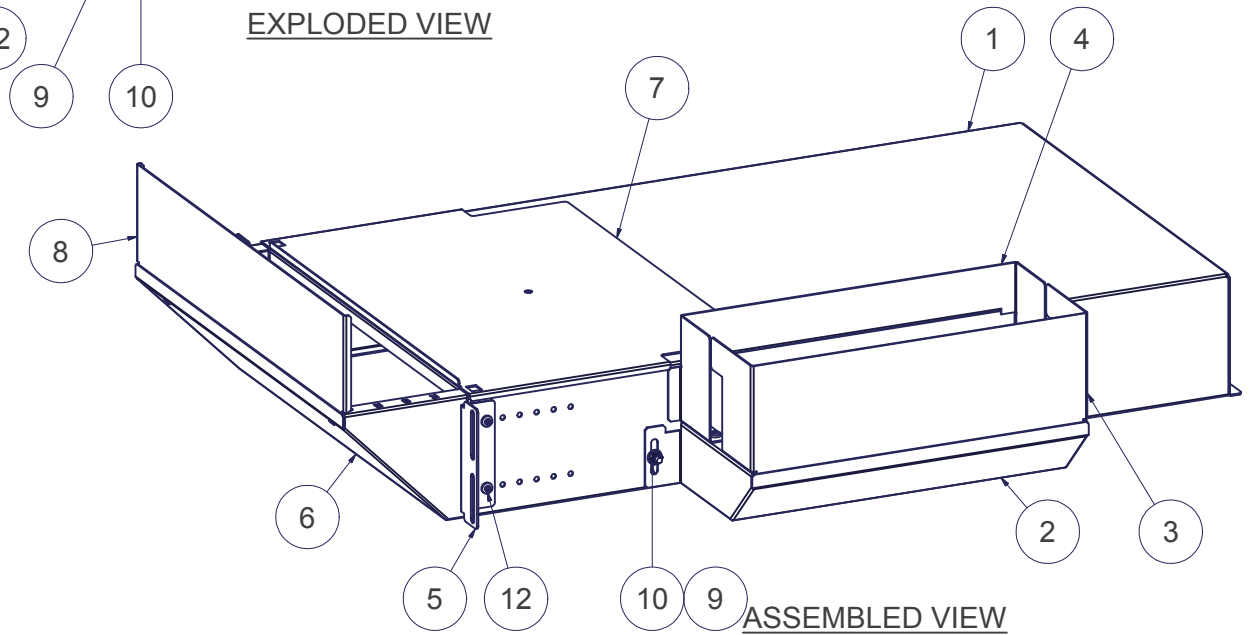
RIGHTSIDE VIEW



EXPLODED VIEW



BACK VIEW



ASSEMBLED VIEW

EST. WEIGHT :
19.03 lbmass

THIRD ANGLE PROJECTION

INTERPRET DRAWING PER ASME Y14.5M-1994
DIMENSIONAL LIMITS APPLY AFTER APPLICATION OF FINISH
DRAWING NOT TO SCALE
TOLERANCE UNLESS OTHERWISE NOTED:
ANGULAR +/- .1°
.XXXX +/- .010
.XXX +/- .015
.XX +/- .030
.X FOR REF. ONLY
UNLESS OTHERWISE SPECIFIED ALL DIMENSIONS ARE IN INCHES

NOTICE:
Use of this document is subject to a confidentiality and nondisclosure agreement with Great Lakes Case & Cabinet Co., Inc. (GLCC) and may not be reproduced, disclosed or utilized in whole or in part without prior written authorization from GLCC.

PART NUMBER: ADSESX100
QTY PER UNIT: 1
MATERIAL TYPE: CRS
MATERIAL GAUGE: SEE DETAILS
FINISH: BLACK POWDERCOATED
DRAWN: 11/5/2013
FED: 11/5/2013
CHECKED & APP. DATE: 11/5/2013
WSS

TITLE: **SIDE & FRONT AIR DIVERTER ASSEMBLY, 19" EIA, FOR 78"H & 84"H "ES" SERVER ENCLOSURES**
GREAT LAKES CASE & CABINET CO., INC.
P.O. BOX 551 EDINBORO, PA 16412
PHONE (814) 734-7303 FAX (814) 734-3907
E-MAIL glcc@greatcabinets.com
DWG NO: **1019992**
REV: **0**
SHEET: 1 OF 1