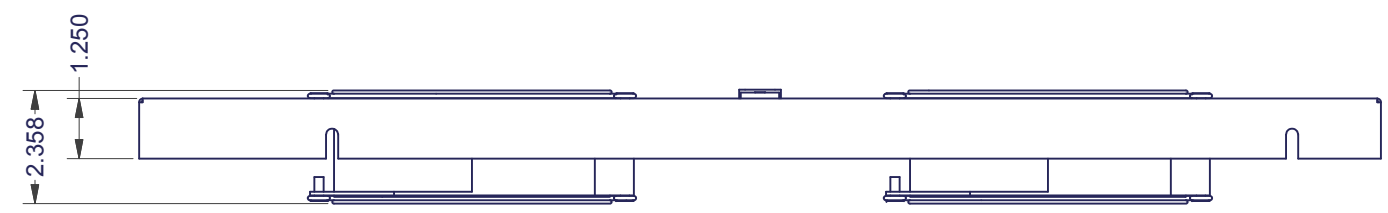
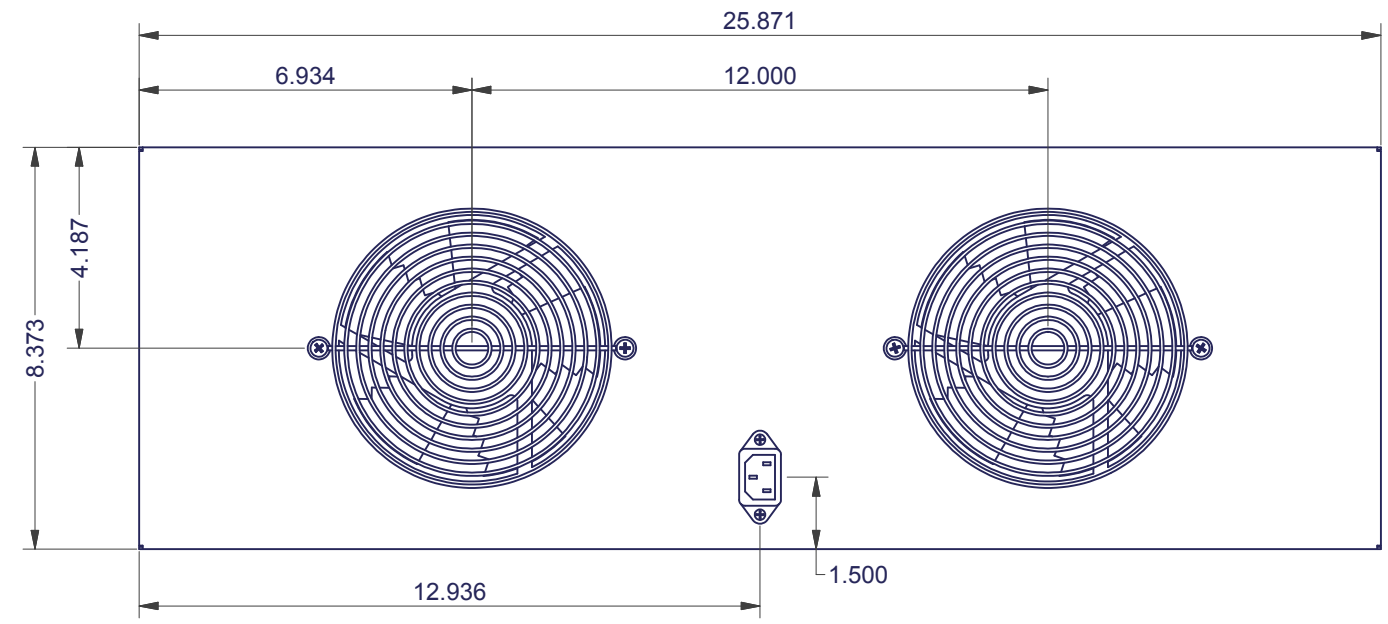
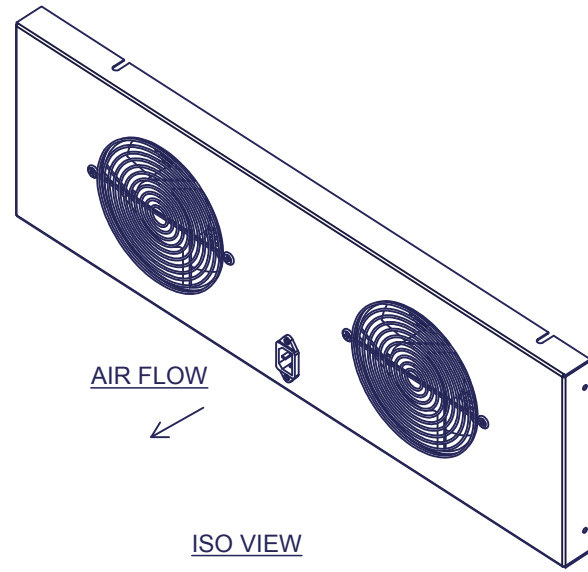


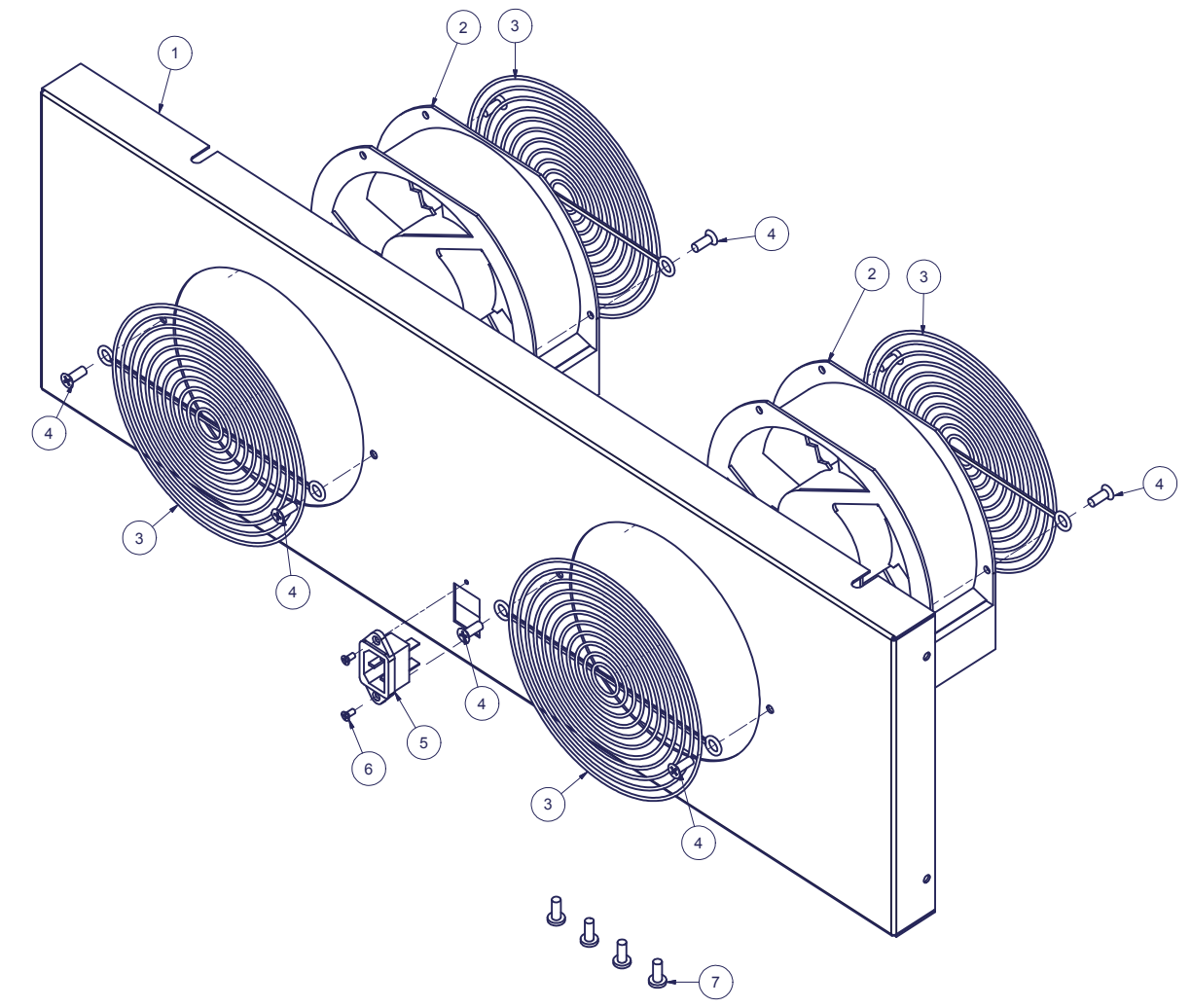
REVISION HISTORY			
REV	DESCRIPTION	DATE	APPROVED
0	ECO-03112	1/24/2011	FED

SPECIFICATIONS:

CFM: (235/ FAN) x 2 = 470
 VAC = 115
 Hz = 50/60
 WATTS = 70
 LINE AMPS = 0.61A
 dba = 55



Bill of Material						
ITEM	PART NUMBER	STOCK NUMBER	QTY	DESCRIPTION	FILE NAME	REVISION
1	ADFTES2442X100		1	AIR DEVERTER FAN TRAY FOR 24"W x 42"D ES BOTTOM PANEL	I007466.ipt	0
2	OA172SAP-11-1		2	ORION 235 CFM FAN, 110V - KNIGHT ELECTRONICS	OA172SAP-11-1.ipt	
3	G172-10HA		4	FINGER GUARD, 172 SERIES FANS, BLACK	G172-10HA.ipt	
4	10-24X50SC#23		8	SCREW, 10-24x1/2" PHILLIPS FLAT TYPE 23 Black Zinc RoHS	10-24X50SC#23.ipt	
5	07071CW		1	IEC CONNECTOR - ARCO	07071CW.ipt	
6	0404RPF		2	#4-40 x 1/4" TAPTITE PHIL FLAT HD ZN. PL. SCREW	0404RPF.ipt	
7	H01-078	H01-078	4	SCREW, 10-32x1/2" PH PAN TYPE 23 BLACK ZINC RoHS	H01-078.ipt	
8	GASKET 0.500 x0.0625		5'-9"	1/16" x 1/2" NEOPRENE GASKET w/ PSA		
9	C45-2DCT		1	2 FAN POWER WIRING HARNESS ASSEMBLY (KNIGHT)		
10	XF34		1	2 FAN GROUNDING WIRING HARNESS ASSEMBLY		
11	XF0312IEC		1	6 FOOT POWER CORD, NEMA 5-15 PLUG		



8 PLACE GASKET ON ALL SIDES ALONG THE BOTTOM EDGE ON THE OUTSIDE AS SHOWN. DO NOT COVER HOLES W/ GASKETING!

INTERPRET DRAWING PER ASME Y14.5M-1994 DIMENSIONAL LIMITS APPLY AFTER APPLICATION OF FINISH DRAWING NOT TO SCALE TOLERANCE UNLESS OTHERWISE NOTED: ANGULAR +/- .1" .XXXX +/- .010 .XXX +/- .015 .XX +/- .030 .X FOR REF. ONLY	NOTICE: Use of this document is subject to a confidentiality and nondisclosure agreement with Great Lakes Case & Cabinet Co., Inc. (GLCC) and may not be reproduced, disclosed or utilized in whole or in part without prior written authorization from GLCC.	PART NUMBER: ADFTES2442X200	TITLE: AIR DIVERTER FAN TRAY FOR 24"W x 42"D 'ES' BOTTOM PANEL - TOP LEVEL
		QTY PER UNIT: 1	MATERIAL TYPE: CRS
		MATERIAL GAUGE: 16 GA	FINISH: POWDERCOAT
		DRAWN CD	DATE 9/20/2008
CHECKED & APP. WSS	DATE 1/24/2011	SHEET: 1 OF 1	