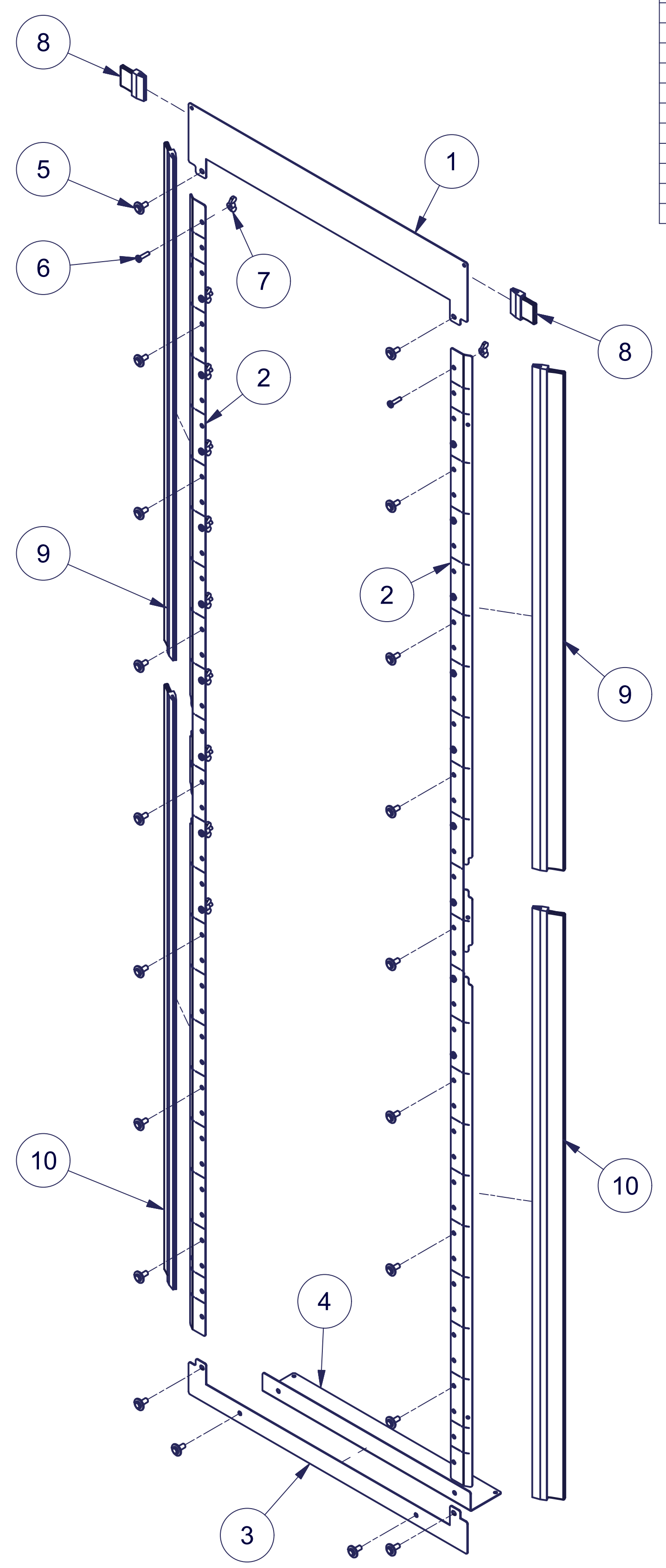
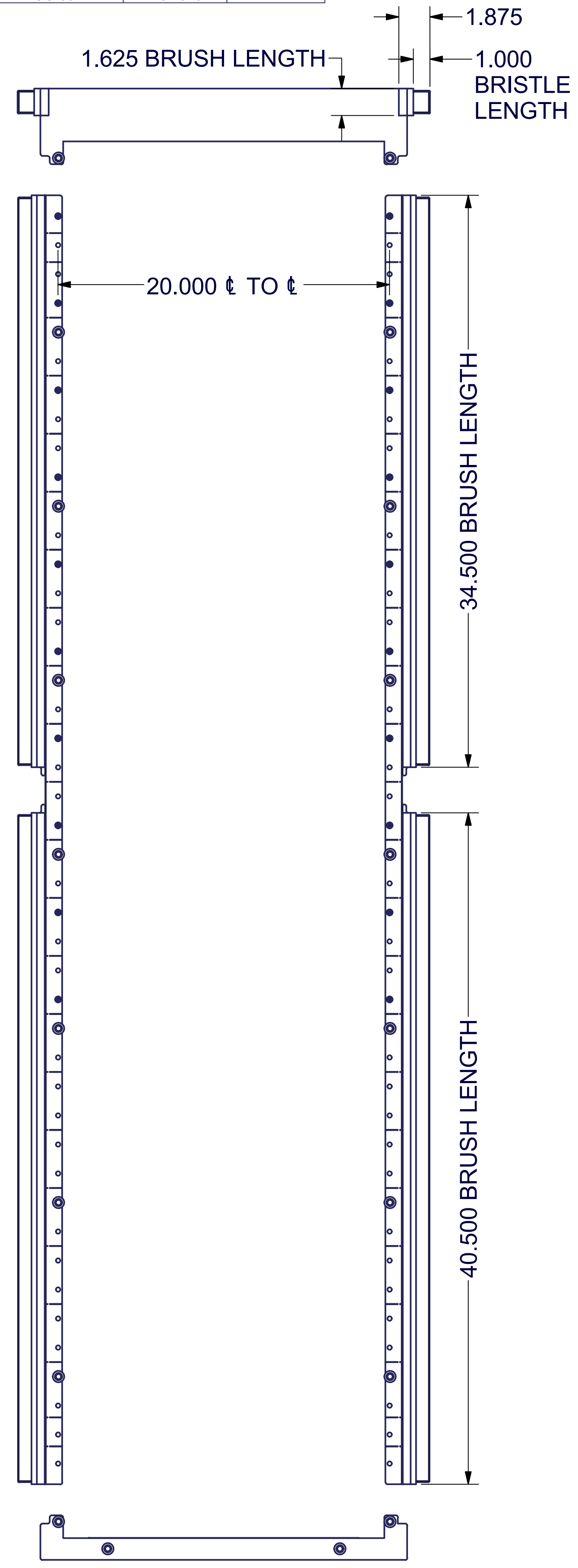


REVISION HISTORY			
REV	DESCRIPTION	DATE	APPROVED
2	ECO-06771	2/9/2016	VL

Bill of Material						
ITEM	PART NUMBER	STOCK #	QTY	DESCRIPTION	FILE NAME	Rev
1	I025290		1	BRUSH GROMMET RAIL KIT, TOP CROSS PLATE, 84H & 91H x 24"W "ES" FRAMES	I025290.ipt	0
2	I025319		2	BRUSH GROMMET RAIL KIT, VERTICAL MTG PLATE, 91" H x 24" W "ES" FRAMES	I025319.ipt	0
3	I025291		1	BRUSH GROMMET RAIL KIT, BOTTOM CROSS PLATE, 84H & 91H x 29" & 30"W "ES" FRAMES	I025291.ipt	0
4	I025292		1	BRUSH GROMMET RAIL KIT, BRACKET FOR BOTTOM CROSS PLATE, 84 H & 91H "ES" FRAMES	I025292.ipt	0
5	H31-022		20	PANEL FASTENER, TUFLOK, ITW-FASTEX. OR EQUIV.	30063008-05004D.ipt	-
6	H01-265		20	#10-32 x 3/4"L PAN HEAD PHIL MS, BLACK	H01-265.ipt	-
7	H02-004		20	#10-32 WING NUT 2ZN36616	10-32WING.ipt	-
8	14007122	S48-004-01.63	2	FLEX PVC CLIP 1"TRIM HT x .012" LBN X 3 ROW X 1-5/8" OAL (TANIS INC.)	14007122 - 1.625 long.ipt	-
9	14007122	S48-004-34.50	2	FLEX PVC CLIP 1"TRIM HT x .012" LBN X 3 ROW X 34-1/2" OAL (TANIS INC.)	14007122 - 34.5 long.ipt	-
10	14007122	S48-004-40.50	2	FLEX PVC CLIP 1"TRIM HT x .012" LBN X 3 ROW X 40-1/2" OAL (TANIS INC.)	14007122 - 40.5 long.ipt	-
11	17119	100-0332	1	BGRK BULK PACK KIT CTNS (S&S PACKAGING)		-
12	H40-114		1	INSTALLATION INSTRUCTIONS: FORM #MS-5.02-54		-



**SPECIAL NOTES:**

- 1) REFER TO PURCHASE ORDER - SPECIAL REQUIREMENTS MAY APPLY!
- 2) CUT BRUSH STRIPS TO LENGTHS SHOWN AND QUANTITIES SHOWN.
- 3) CREATE A HARDWARE PACK FOR ITEMS # 5, 6 & 7 (REF PAC-439). ALSO INCLUDE INSTALLATION INSTRUCTIONS IN THE PACK AS PART OF THE KIT.
- 4) DO NOT WRAP ANY SHEET METAL PARTS OR BRUSH PIECES AS IT COULD DAMAGE BRISTLES OR BEND VERTICAL MOUNTING PLATES.
- 5) PACKAGE EACH KIT USING #17119 CARTON. SEE SHEET 2 FOR PACKAGING INSTRUCTIONS.
- 6) WRAPPING COMPLETE SKID IS ACCEPTABLE.

2 WAS I019701, REV.1

EST. WEIGHT: N/A	INTERPRET DRAWING PER ASME Y14.5M-1994	<p><b>NOTICE:</b></p> Use of this document is subject to a confidentiality and nondisclosure agreement with Great Lakes Case & Cabinet Co., Inc. (GLCC) and may not be reproduced, disclosed or utilized in whole or in part without prior written authorization from GLCC.	PART NUMBER: BGRK9124X100	TITLE: BRUSH GROMMET RAIL KIT, FOR 91" HIGH X 24" WIDE "ES" SERVER, VENDOR LEVEL
	DIMENSIONAL LIMITS APPLY AFTER APPLICATION OF FINISH		MATERIAL TYPE: CRS	GREAT LAKES CASE & CABINET CO., INC. P.O. BOX 551 EDINBORO, PA 16412 PHONE (814) 734-7303 FAX (814) 734-3907 E-MAIL glcc@greatcabinets.com
THIRD ANGLE PROJECTION	DRAWING NOT TO SCALE		FINISH: POWDERCOAT	DWG NO: I025318
	TOLERANCE UNLESS OTHERWISE NOTED: ANGULAR +/- .1" .XXXX +/- .010 .XXX +/- .015 .XX +/- .030 .X FOR REF. ONLY		DRAWN VL	REV 2
	UNLESS OTHERWISE SPECIFIED ALL DIMENSIONS ARE IN INCHES		CHECKED & APP. WSS	SHEET: 1 OF 2
			DATE 2/12/2016	