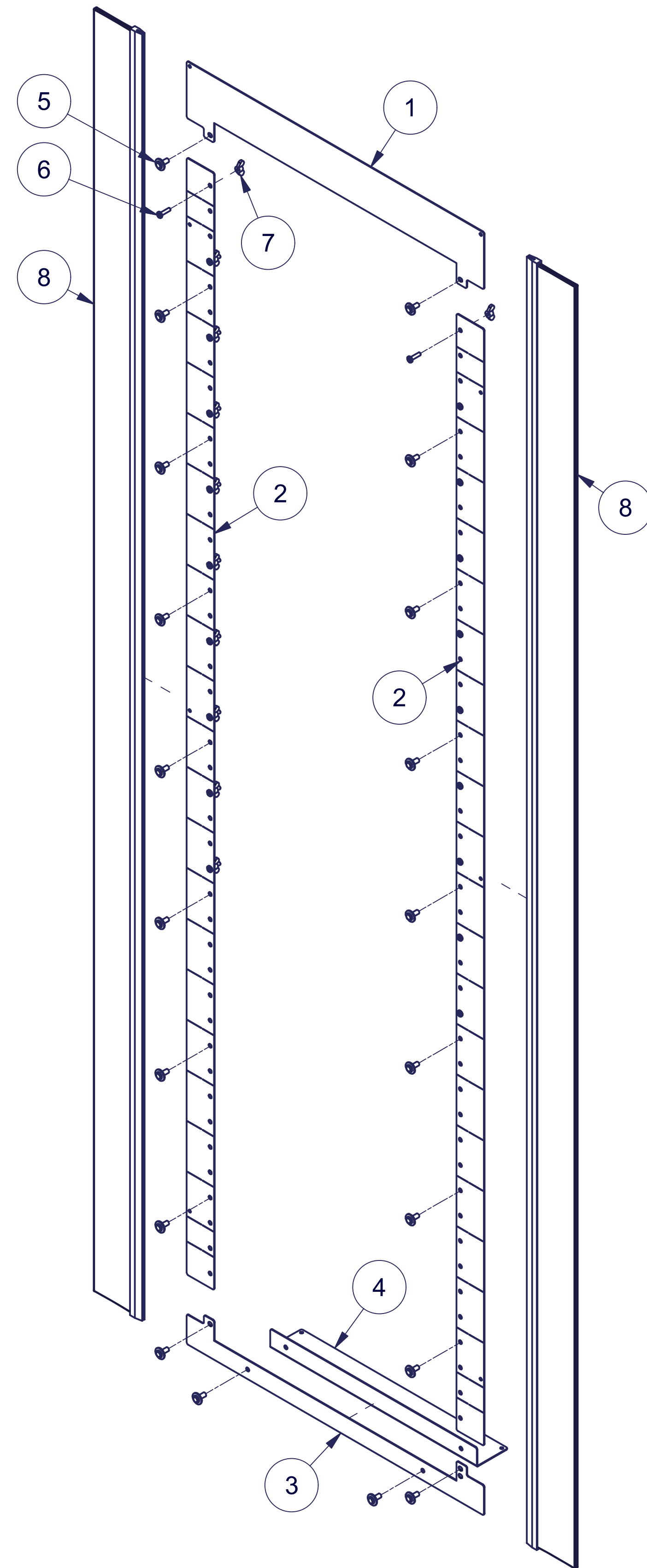
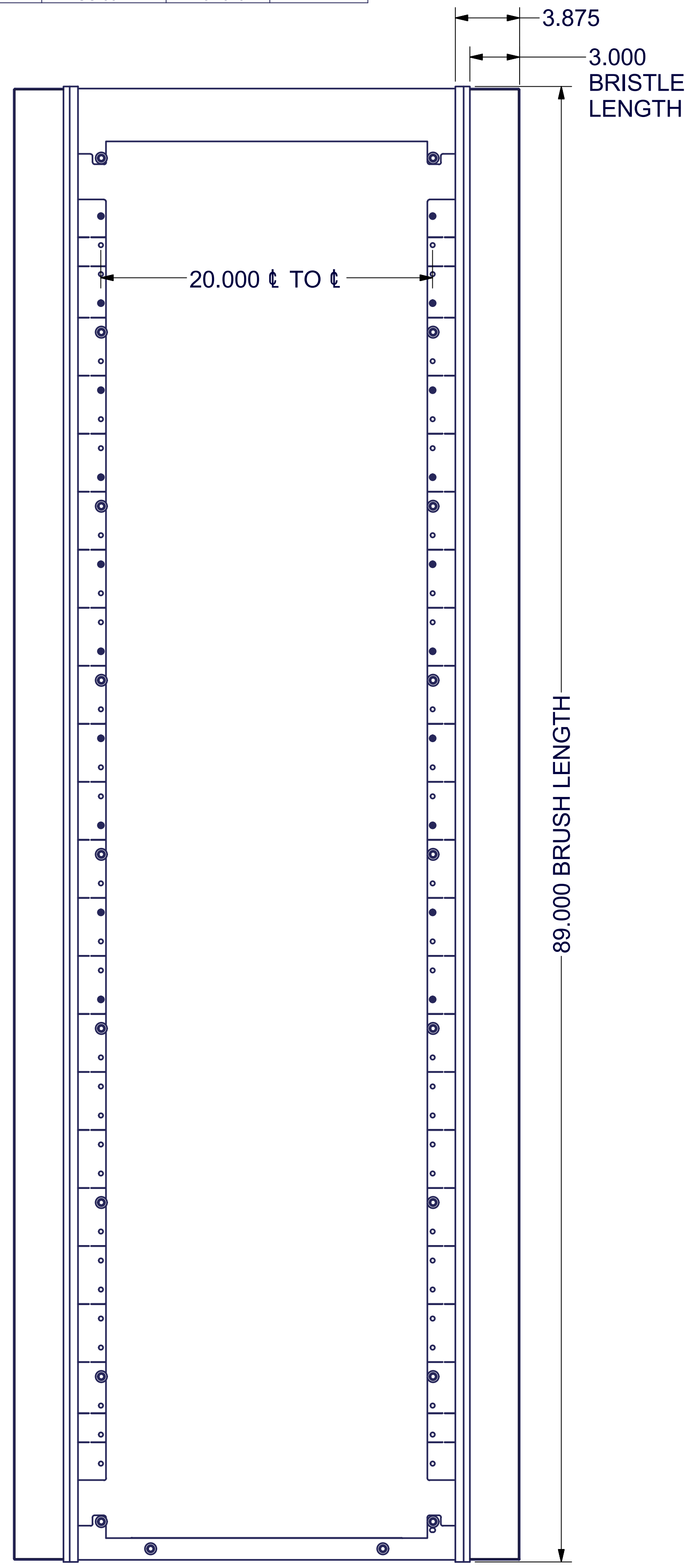


REVISION HISTORY			
REV	DESCRIPTION	DATE	APPROVED
2	ECO-06771	2/9/2016	VL

Bill of Material						
ITEM	PART NUMBER	STOCK #	QTY	DESCRIPTION	FILE NAME	Rev
1	I025286		1	BRUSH GROMMET RAIL KIT, TOP CROSS PLATE, 84 H & 91H x 29" & 30"W "ES" FRAMES	I025286.ipt	0
2	I025313		2	BRUSH GROMMET RAIL KIT, VERTICAL MTG PLATE, 91" H x 29"W & 30"W "ES" FRAMES	I025313.ipt	0
3	I025287		1	BRUSH GROMMET RAIL KIT, BOTTOM CROSS PLATE, 84 H & 91H x 29" & 30"W "ES" FRAMES	I025287.ipt	0
4	I025292		1	BRUSH GROMMET RAIL KIT, BRACKET FOR BOTTOM CROSS PLATE, 84 H & 91H "ES" FRAMES	I025292.ipt	0
5	H31-022		20	PANEL FASTENER, TUFLOK, ITW-FASTEX. OR EQUIV.	30063008-05004D.ipt	-
6	H01-265		20	#10-32 x 3/4"L PAN HEAD PHIL MS, BLACK	H01-265.ipt	-
7	H02-004		20	#10-32 WING NUT 2ZN36616	10-32WING.ipt	-
8	14006786	H48-003-89.00	2	FLEX PVC CLIP 3"TRIM HT X .016" LBN X 3 ROW X 89" OAL (TANIS INC.)	14006786 - 89 long.ipt	-
9	17119	100-0332	1	BGRK BULK PACK KIT CTNS (S&S PACKAGING)	-	-
10		H40-114	1	INSTALLATION INSTRUCTIONS: FORM #MS-5.02-54	-	-



SPECIAL NOTES:

- 1) REFER TO PURCHASE ORDER - SPECIAL REQUIREMENTS MAY APPLY!
- 2) CUT BRUSH STRIPS TO LENGTHS SHOWN AND QUANTITIES SHOWN.
- 3) CREATE A HARDWARE PACK FOR ITEMS # 5, 6 & 7 (REF PAC-439). ALSO INCLUDE INSTALLATION INSTRUCTIONS IN THE PACK AS PART OF THE KIT.
- 4) DO NOT WRAP ANY SHEET METAL PARTS OR BRUSH PIECES AS IT COULD DAMAGE BRISTLES OR BEND VERTICAL MOUNTING PLATES.
- 5) PACKAGE EACH KIT USING #17119 CARTON. SEE SHEET 2 FOR PACKAGING INSTRUCTIONS.
- 6) WRAPPING COMPLETE SKID IS ACCEPTABLE.

2 WAS I019697, REV.1

EST. WEIGHT: N/A	INTERPRET DRAWING PER ASME Y14.5M-1994	<p>NOTICE:</p> <p>Use of this document is subject to a confidentiality and nondisclosure agreement with Great Lakes Case & Cabinet Co., Inc. (GLCC) and may not be reproduced, disclosed or utilized in whole or in part without prior written authorization from GLCC.</p>	PART NUMBER: BGRK9130X100	TITLE: BRUSH GROMMET RAIL KIT, FOR 91" HIGH X 29"W and 30"W "ES" SERVER, VENDOR LEVEL
	DIMENSIONAL LIMITS APPLY AFTER APPLICATION OF FINISH		MATERIAL TYPE: CRS	GREAT LAKES CASE & CABINET CO., INC. P.O. BOX 551 EDINBORO, PA 16412 PHONE (814) 734-7303 FAX (814) 734-3907 E-MAIL glcc@greatcabinets.com
THIRD ANGLE PROJECTION	DRAWING NOT TO SCALE	UNLESS OTHERWISE SPECIFIED ALL DIMENSIONS ARE IN INCHES	FINISH: POWDERCOAT	DWG NO: I025312
	TOLERANCE UNLESS OTHERWISE NOTED: ANGULAR +/- .1" .XXXX +/- .010 .XXX +/- .015 .XX +/- .030 .X FOR REF. ONLY		DRAWN VL	DATE 2/1/2016
			CHECKED & APP. WSS	DATE 2/12/2016
			REV 2	SHEET: 1 OF 2