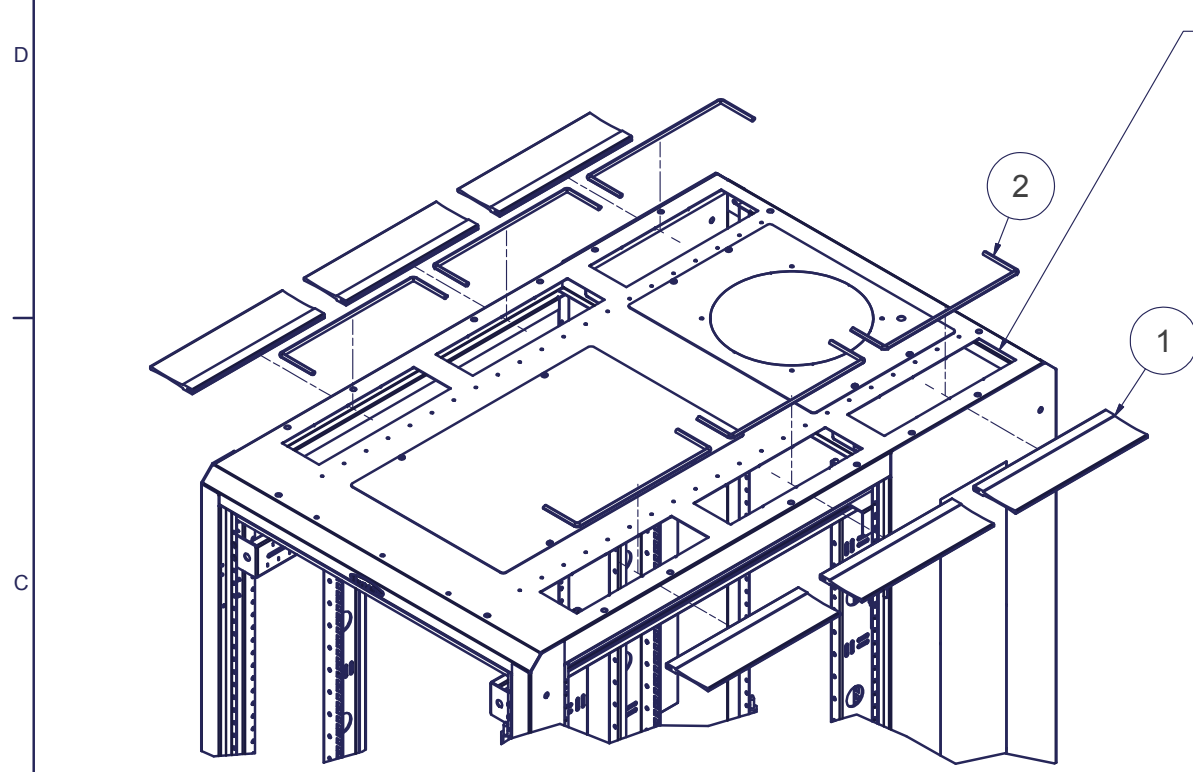


REVISION HISTORY			
REV	ECO NUMBER	DATE	APPROVED
0	ECO-02112	12/14/2007	JL
1	ECO-02137	1/22/2008	JL
2	ECO-06577	6/2/2015	FED

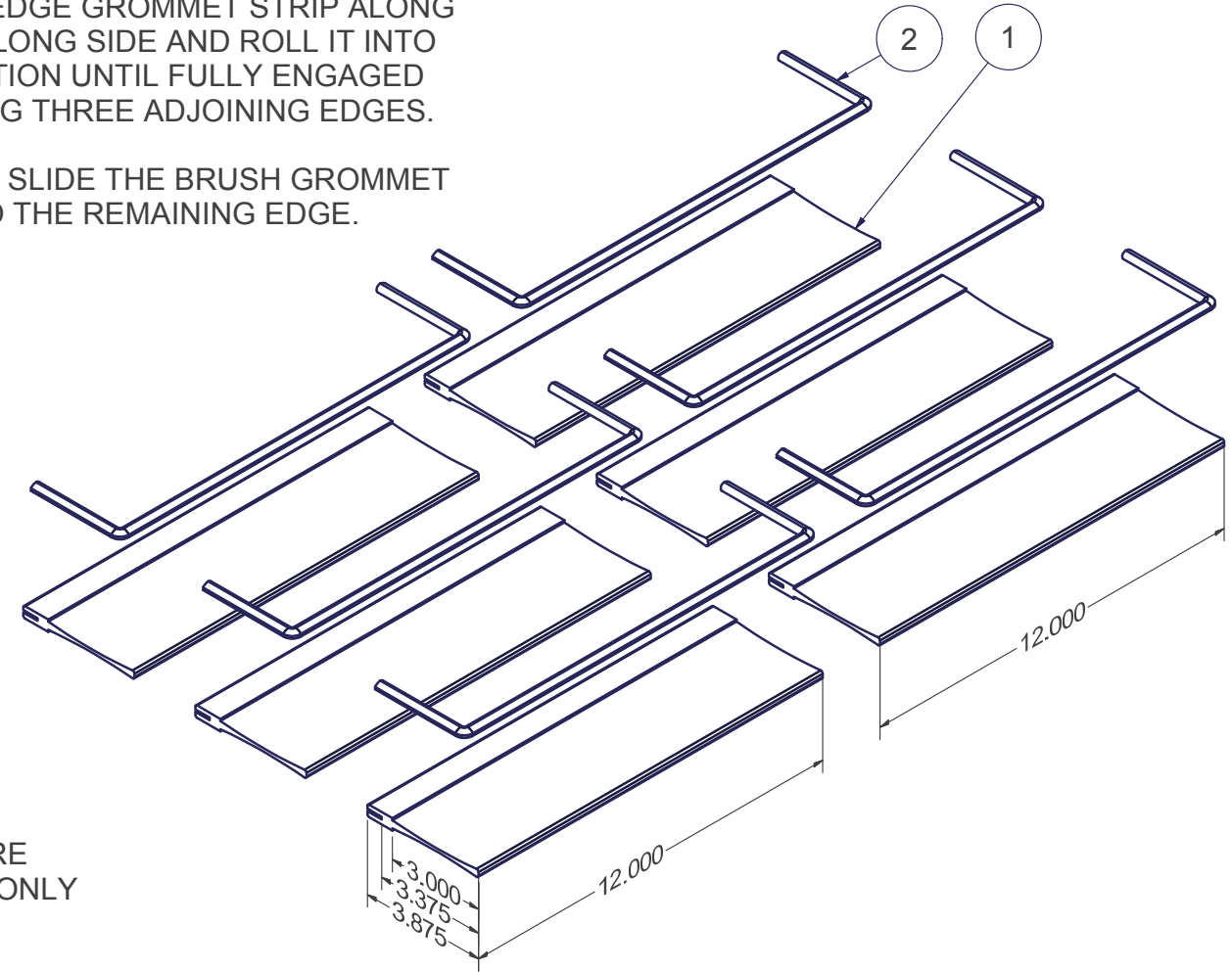
Bill of Material						FILE NAME	REV
ITEM	PART NUMBER	STOCK NUMBER	QTY	DESCRIPTION (CONTINUED ON SHT. 2)			
1	FPVC123072(12)		6	BRUSH STRIP, FLEXIBLE PVC, 3" TRIM, CUT 12" LG. (TANIS INC.)		FPVC123072(12).ipt	-
2	X1002		6	'TRIM-LOK' EDGE GROMMET, NEOPRENE RUBBER - CUT TO 17.75"L		X1002-12.ipt	0



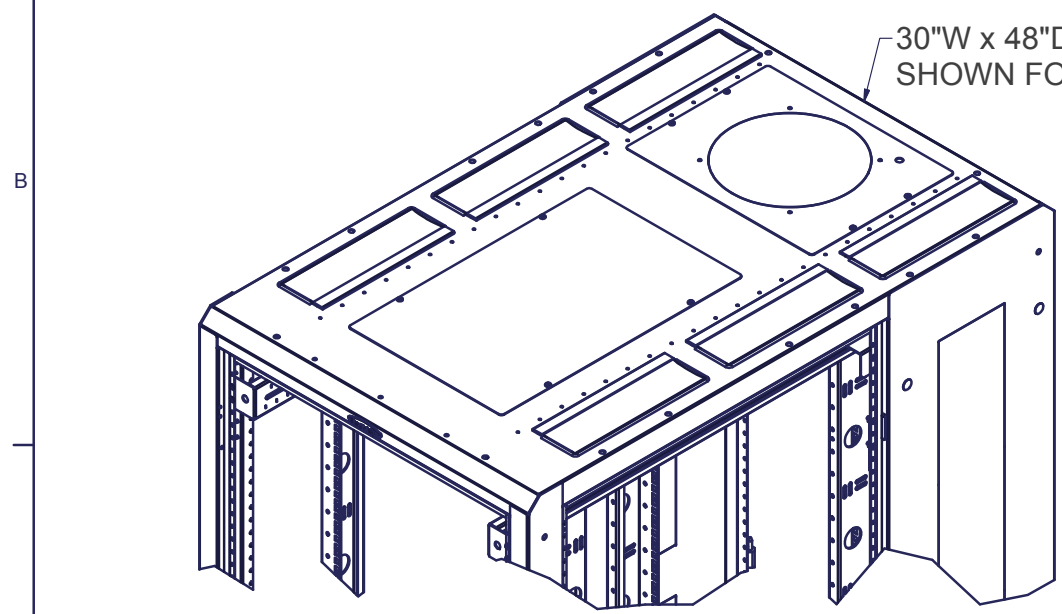
SHOWN w/ BRUSH KIT EXPLODED

REMOVE ANY OF THE RECTANGULAR KNOCK-OUTS AS REQUIRED. CENTER THE EDGE GROMMET STRIP ALONG ONE LONG SIDE AND ROLL IT INTO POSITION UNTIL FULLY ENGAGED ALONG THREE ADJOINING EDGES.

THEN SLIDE THE BRUSH GROMMET ONTO THE REMAINING EDGE.



GROMMET KIT SUPPLIED TO FIT 48"D ENCLOSURES



SHOWN ASSEMBLED w/ BRUSH KIT AS SUPPLIED

30"W x 48"D 'LE' ENCLOSURE SHOWN FOR REFERENCE ONLY

NOTE:

- 1.) SIX PIECES OF LONG BRUSH GROMMET TO BE BAGGED w/ SIX PIECES OF EDGE GROMMET & PLACED INTO A CORRUGATED PACK.

2 REDRAWN

EST. WEIGHT : 2.07 lbmass

THIRD ANGLE PROJECTION

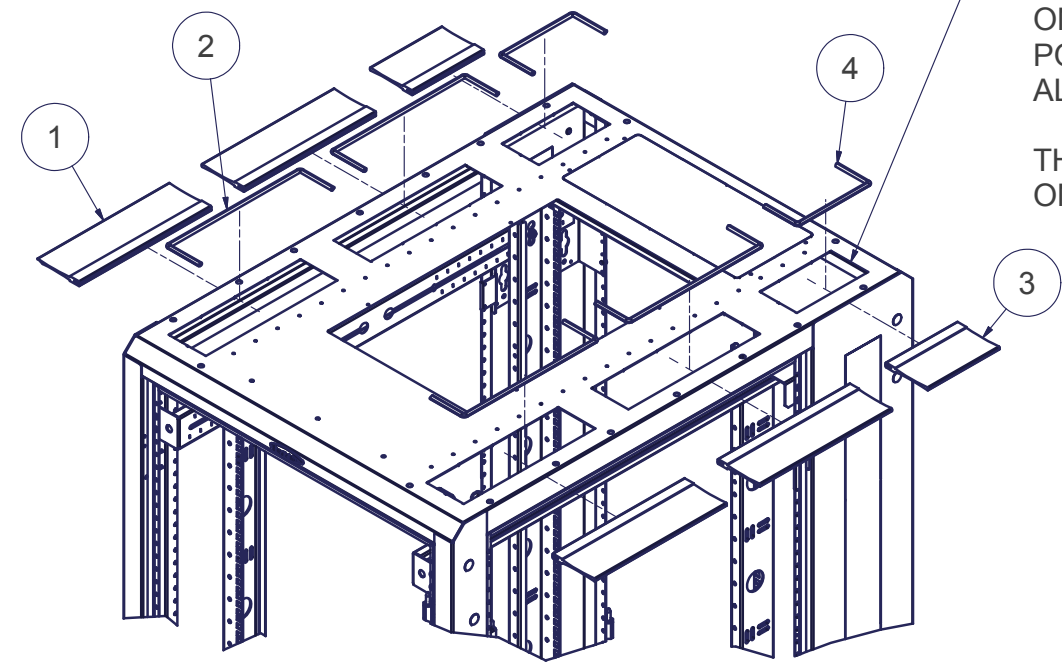
INTERPRET DRAWING PER ASME Y14.5M-1994
DIMENSIONAL LIMITS APPLY AFTER APPLICATION OF FINISH
DRAWING NOT TO SCALE
TOLERANCE UNLESS OTHERWISE NOTED:
ANGULAR +/- 1'
.XXXX +/- .010
.XXX +/- .015
.XX +/- .030
.X FOR REF. ONLY
UNLESS OTHERWISE SPECIFIED ALL DIMENSIONS ARE IN INCHES

NOTICE:
Use of this document is subject to a confidentiality and nondisclosure agreement with Great Lakes Case & Cabinet Co., Inc. (GLCC) and may not be reproduced, disclosed or utilized in whole or in part without prior written authorization from GLCC.

PART NUMBER: BGTX200
QTY PER UNIT: 1
MATERIAL TYPE: SEE PARTS LIST
MATERIAL GAUGE:
FINISH:
DRAWN: JL DATE: 12/14/2007
CHECKED & APP. DATE: WSS 12-14-07

TITLE: 30"W x 42"D or 48"D : 'LE' ENCLOSURES w/ BGT KIT
GREAT LAKES CASE & CABINET CO., INC. P.O. BOX 551 EDINBORO, PA 16412 PHONE (814) 734-7303 FAX (814) 734-3907 E-MAIL glcc@greatcabinets.com
DWG NO: 1005940
REV: 2
SHEET: 1 OF 2

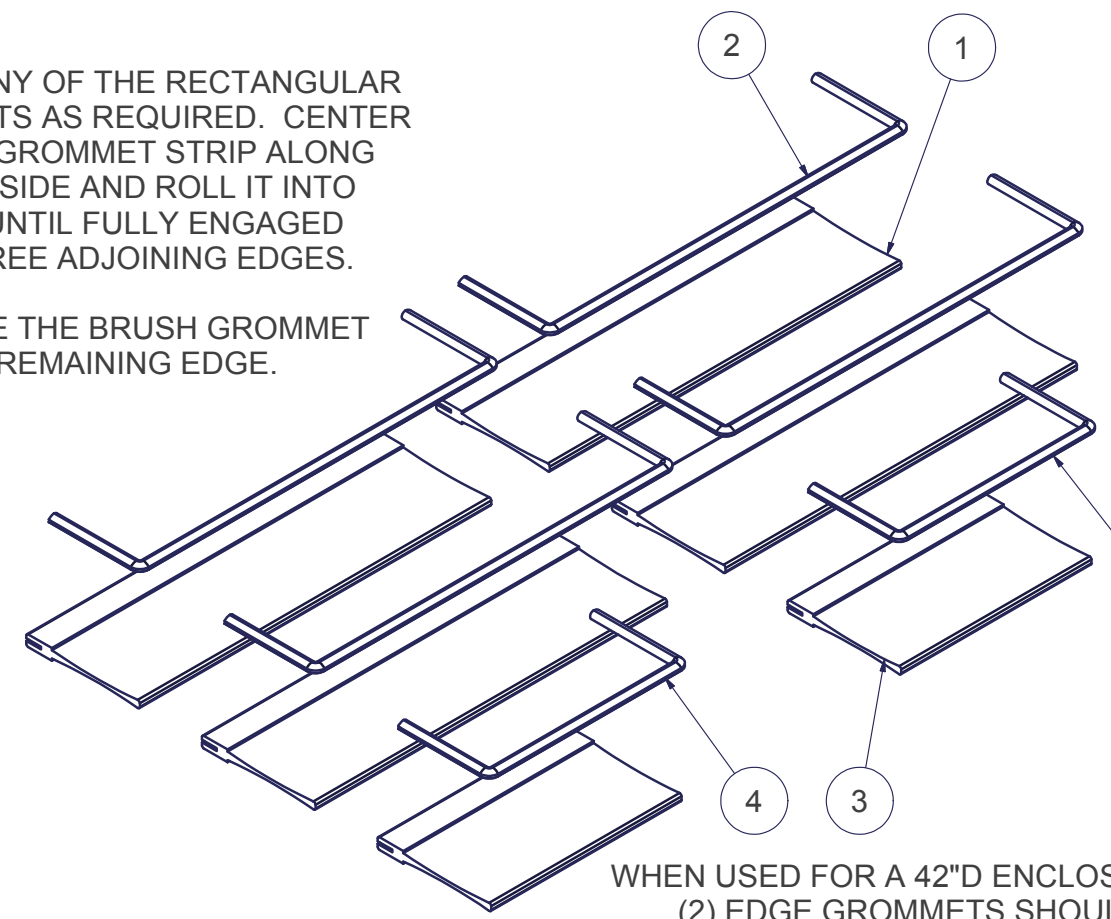
Bill of Material							
ITEM	PART NUMBER	STOCK NUMBER	QTY	DESCRIPTION (CONTINUED FROM SHT. 1)	FILE NAME	REV	
3	FPVC123072(6-5)		2	BRUSH STRIP, FLEXIBLE PVC, 3" TRIM, CUT 6.50" LG. (TANIS INC.)	FPVC123072(6-5).ipt	-	
4	X1002		2	'TRIM-LOK' EDGE GROMMET, NEOPRENE RUBBER - CUT TO 12.25"LG	EDGE-GASKET-6-50.ipt	0	



SHOWN w/ MODIFIED BRUSH KIT EXPLODED

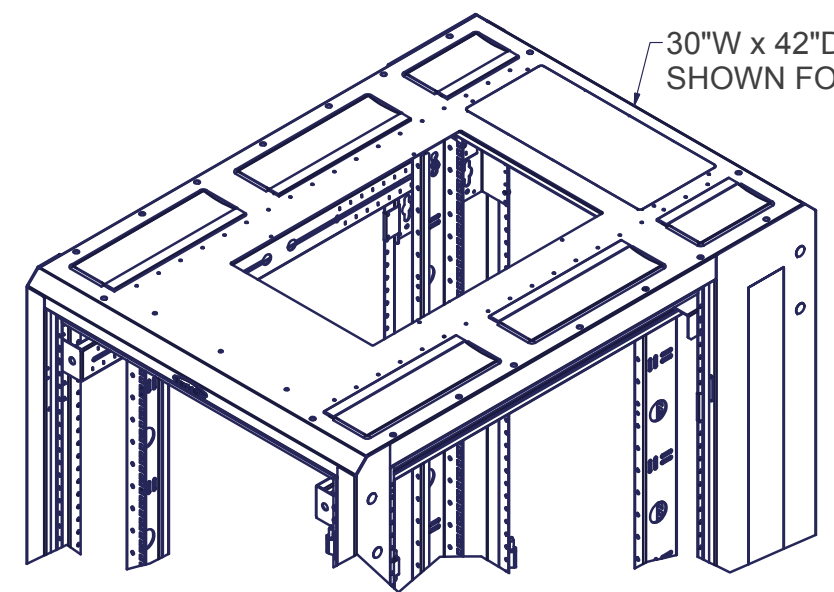
REMOVE ANY OF THE RECTANGULAR KNOCK-OUTS AS REQUIRED. CENTER THE EDGE GROMMET STRIP ALONG ONE LONG SIDE AND ROLL IT INTO POSITION UNTIL FULLY ENGAGED ALONG THREE ADJOINING EDGES.

THEN SLIDE THE BRUSH GROMMET ONTO THE REMAINING EDGE.



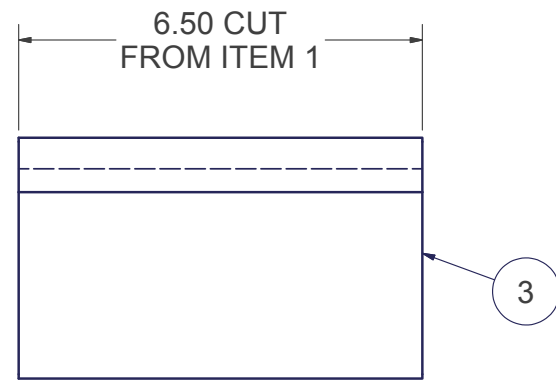
WHEN USED FOR A 42"D ENCLOSURE, (2) EDGE GROMMETS SHOULD BE CUT TO 12-1/4" LENGTH AS SHOWN.

GROMMET KIT CUT TO FIT 42"D ENCLOSURES

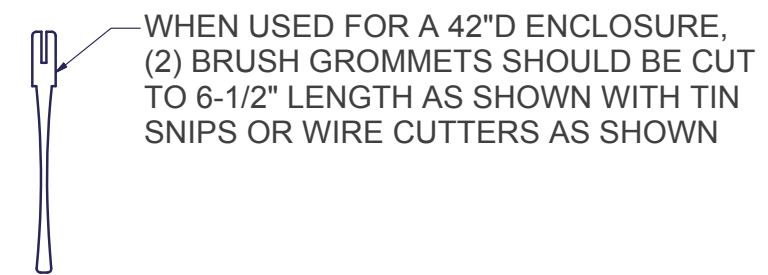


30"W x 42"D 'LE' ENCLOSURE SHOWN FOR REFERENCE ONLY

SHOWN ASSEMBLED w/ BRUSH KIT AS MODIFIED



(2) PCS. REQ'D



WHEN USED FOR A 42"D ENCLOSURE, (2) BRUSH GROMMETS SHOULD BE CUT TO 6-1/2" LENGTH AS SHOWN WITH TIN SNIPS OR WIRE CUTTERS AS SHOWN

2 REDRAWN

EST. WEIGHT : 1.76 lbmass

THIRD ANGLE PROJECTION

INTERPRET DRAWING PER ASME Y14.5M-1994
DIMENSIONAL LIMITS APPLY AFTER APPLICATION OF FINISH
DRAWING NOT TO SCALE
TOLERANCE UNLESS OTHERWISE NOTED:
ANGULAR +/- 1'
.XXXX +/- .010
.XXX +/- .015
.XX +/- .030
.X FOR REF. ONLY
UNLESS OTHERWISE SPECIFIED ALL DIMENSIONS ARE IN INCHES

NOTICE:

Use of this document is subject to a confidentiality and nondisclosure agreement with Great Lakes Case & Cabinet Co., Inc. (GLCC) and may not be reproduced, disclosed or utilized in whole or in part without prior written authorization from GLCC.

PART NUMBER: I005940-CUT
QTY PER UNIT: 1
MATERIAL TYPE: SEE PARTS LIST
MATERIAL GAUGE:
FINISH: -
DRAWN: JL DATE: 10/20/2010
CHECKED & APP. DATE: WSS 12/14/2007

TITLE: BRUSH GROMMET TOP PANEL KIT, CUT TOFIT 42"D ENCLOSURE
GREAT LAKES CASE & CABINET CO., INC. P.O. BOX 551 EDINBORO, PA 16412 PHONE (814) 734-7303 FAX (814) 734-3907 E-MAIL glcc@greatcabinets.com
DWG NO: I005940
REV: 2
SHEET: 2 OF 2