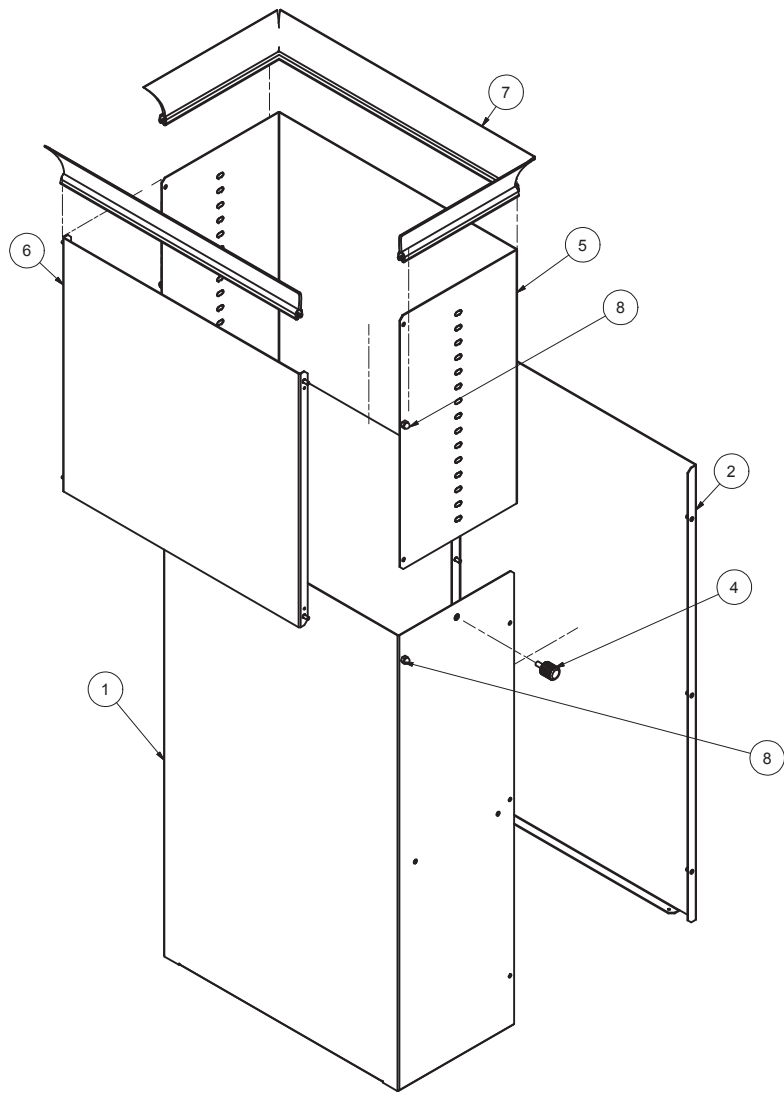
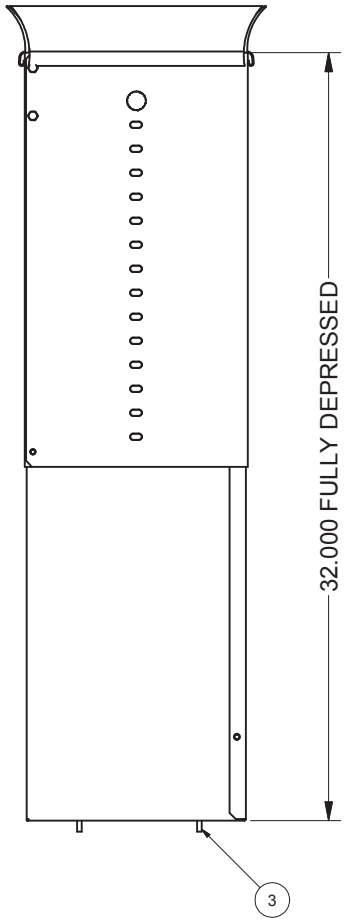
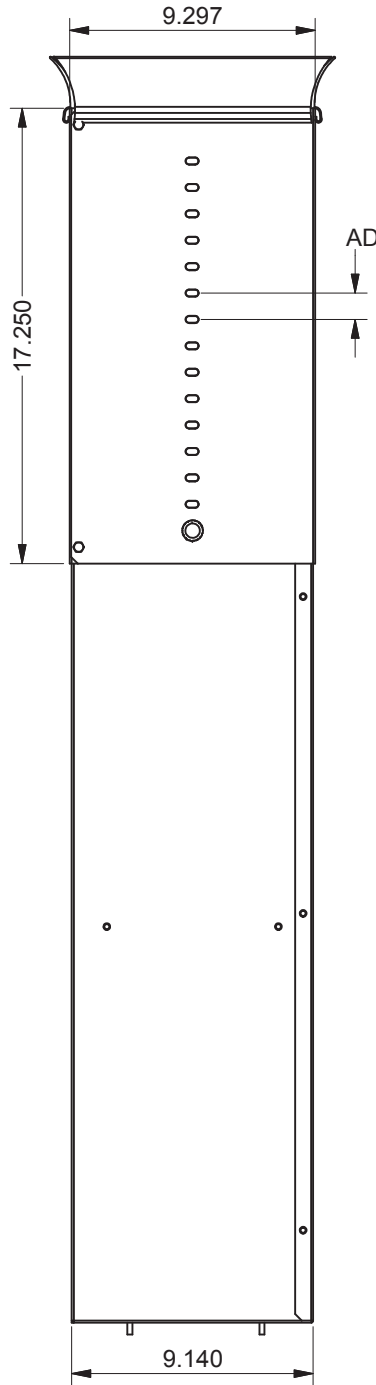
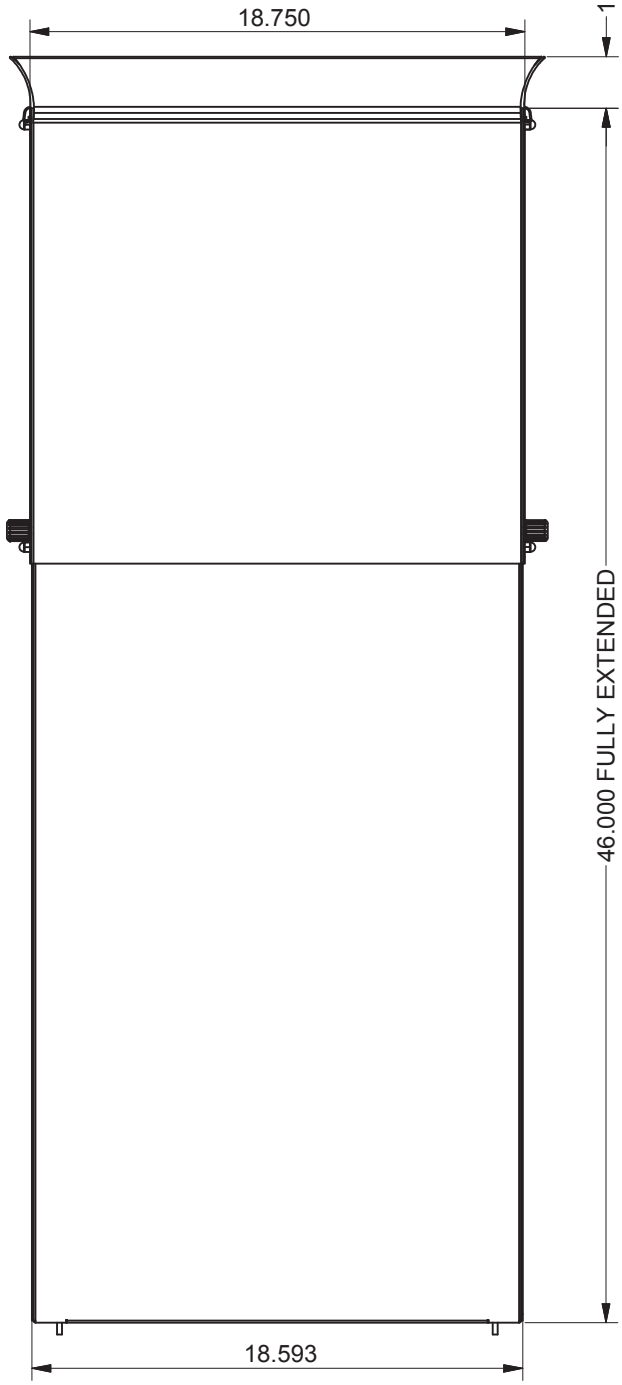
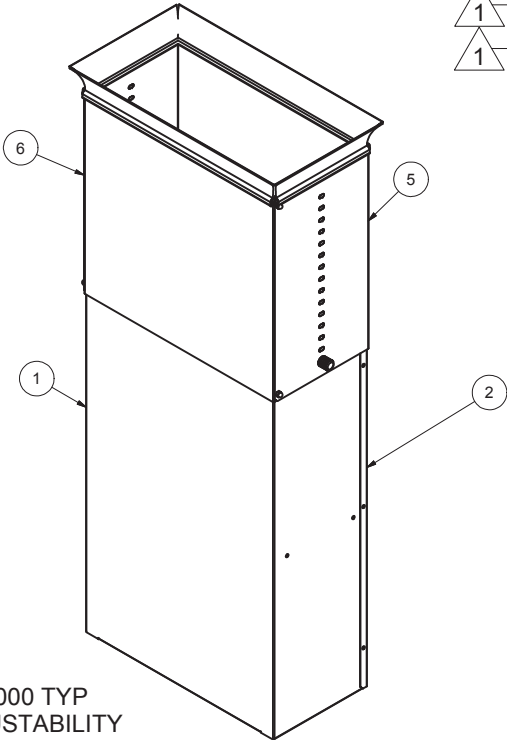
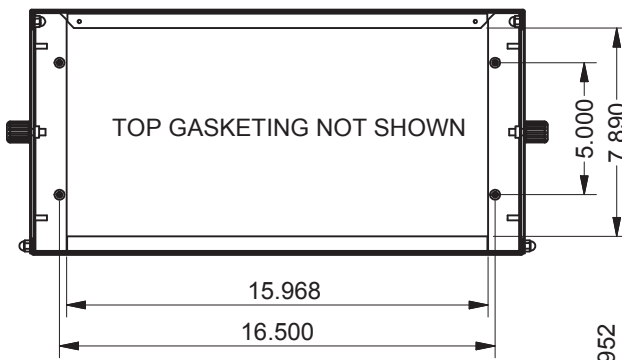


REVISION HISTORY			
REV	DESCRIPTION	DATE	APPROVED
0	ECO-02471	1/29/2009	CD
1	ECO-02548	4/29/09	CD

Bill of Material						
ITEM	PART NUMBER	STOCK NUMBER	QTY	DESCRIPTION	FILE NAME	REVISION
1			1	EXHAUST CHIMNEY BOTTOM BODY, 32"H - 46"H - DETAIL	I007855.iam	1
2			1	EXHAUST CHIMNEY BOTTOM COVER 32"H - 46"H - DETAIL	I007856.iam	1
3	H01-078	H01-078	4	SCREW, 10-32x1/2" PH PAN TYPE 23 BLACK OXIDE/WAX RoHS (SCR1032X500BLK)	H01-078.ipt	-
4	KPK1300A	H19-117	2	ALLIANCE PLASTICS - 1/4-20 .591"L THREAD	KPK1300A.ipt	-
5			1	EXHAUST CHIMNEY ADJUSTABLE TOP BODY - DETAIL	I007851.ipt	0
6			1	EXHAUST CHIMNEY ADJUSTABLE TOP COVER - DETAIL	I007852.iam	0
7			56.25"	UNI-GRIP FOAM GASKETING # ED-536-SOFT; 2.5"HIGH	-	-
8	H02-006	H02-006	10	#10-32 ACORN NUT NYLON BLACK (0501032LCNBLK)	H02-006.ipt	-



INTERPRET DRAWING PER ASME Y14.5M-1994
 DIMENSIONAL LIMITS APPLY
 AFTER APPLICATION OF FINISH
 DRAWING NOT TO SCALE
 TOLERANCE UNLESS OTHERWISE NOTED:
 ANGULAR +/- 1
 .XXXX +/- .010
 .XXX +/- .015
 .XX +/- .030
 .X FOR REF. ONLY

NOTICE:
 Use of this document is subject to a confidentiality and nondisclosure agreement with Great Lakes Case & Cabinet Co., Inc. (GLCC) and may not be reproduced, disclosed or utilized in whole or in part without prior written authorization from GLCC.

PART NUMBER: **EC423246**
 QTY PER UNIT: 1
 MATERIAL TYPE:
 MATERIAL GAUGE: **#16 GA**
 FINISH:

TITLE: **EXHAUST CHIMNEY FOR 42"D ES, 32"H -46"H ADJUSTABLE RANGE - VENDOR LEVEL**
 GREAT LAKES CASE & CABINET CO., INC.
 P.O. BOX 551 EDINBORO, PA 16412
 PHONE (814) 734-7303 FAX (814) 734-3907
 E-MAIL glcc@greatcabinets.com



UNLESS OTHERWISE SPECIFIED
 ALL DIMENSIONS ARE IN INCHES

DRAWN: CD DATE: 1/28/2009
 CHECKED & APP: WSS DATE: 1/29/09

DWG NO: **I007854** REV: **1** SHEET: 1 OF 1