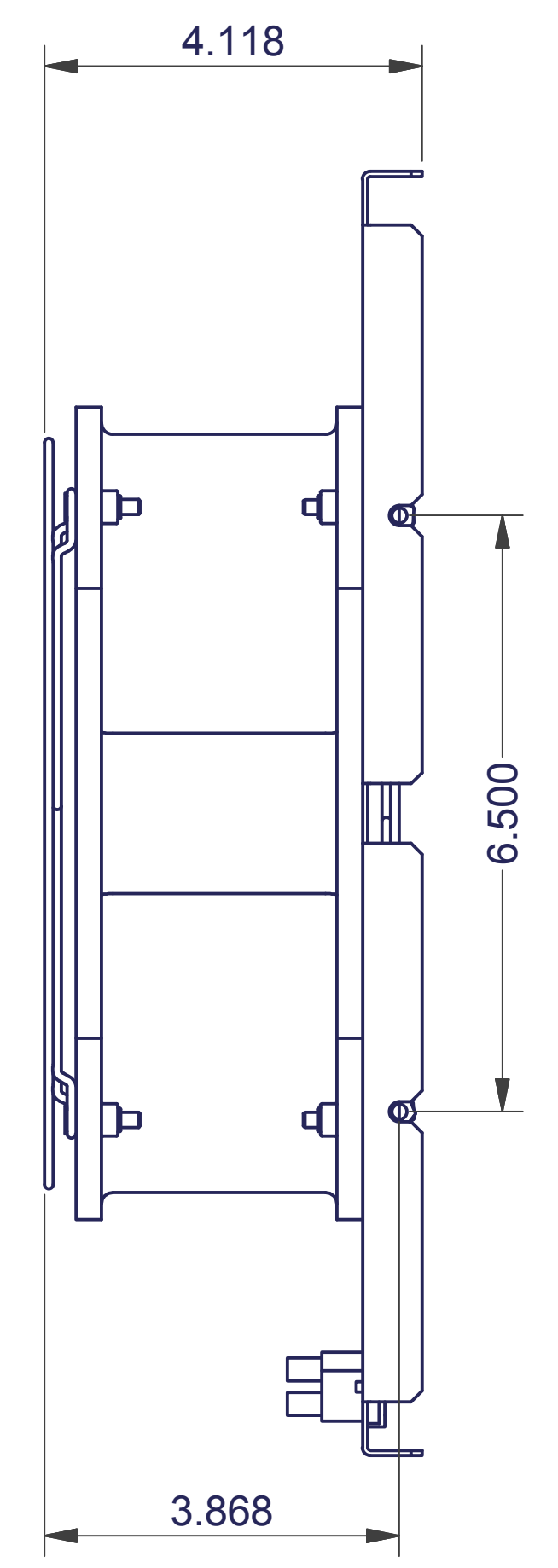
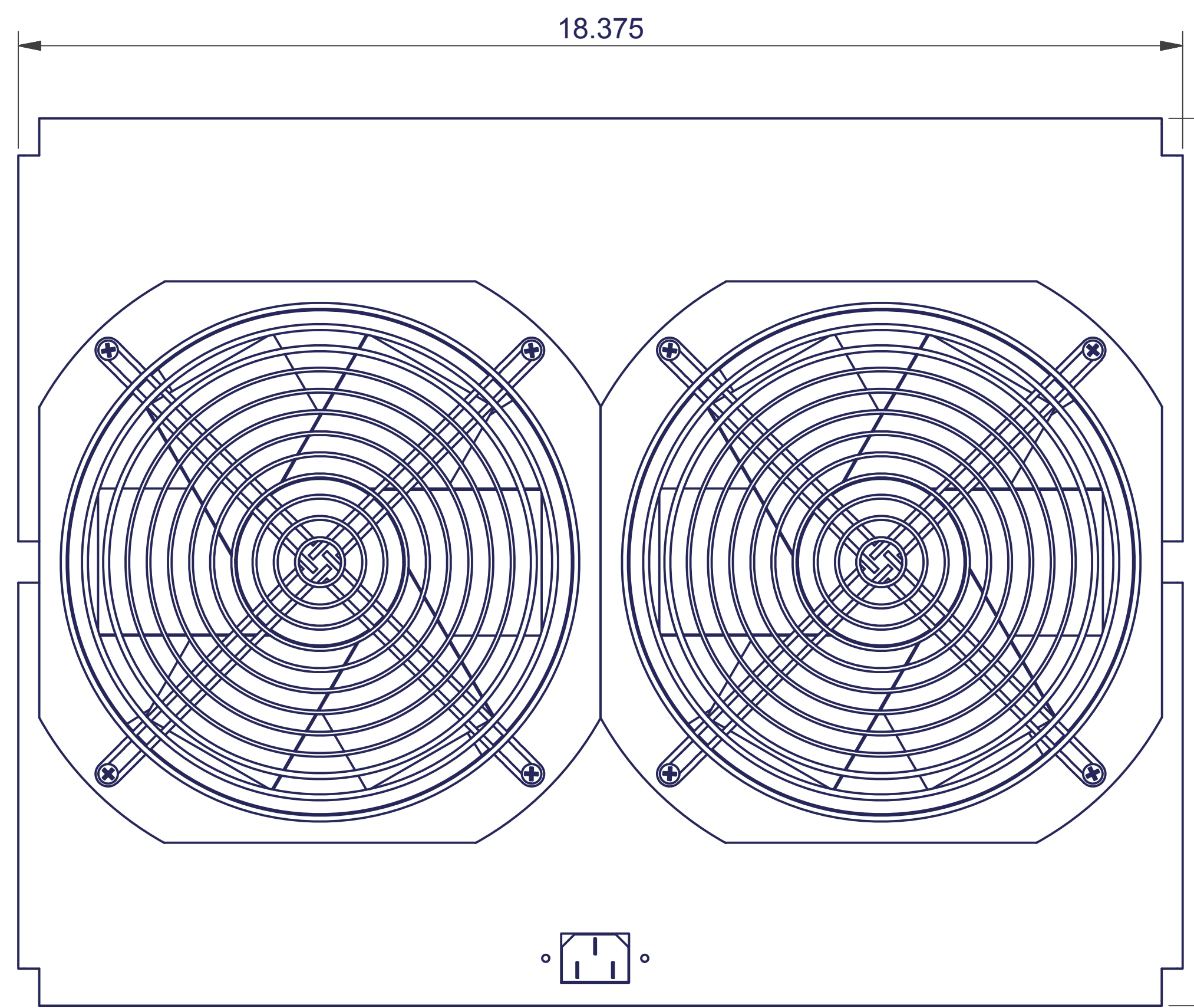
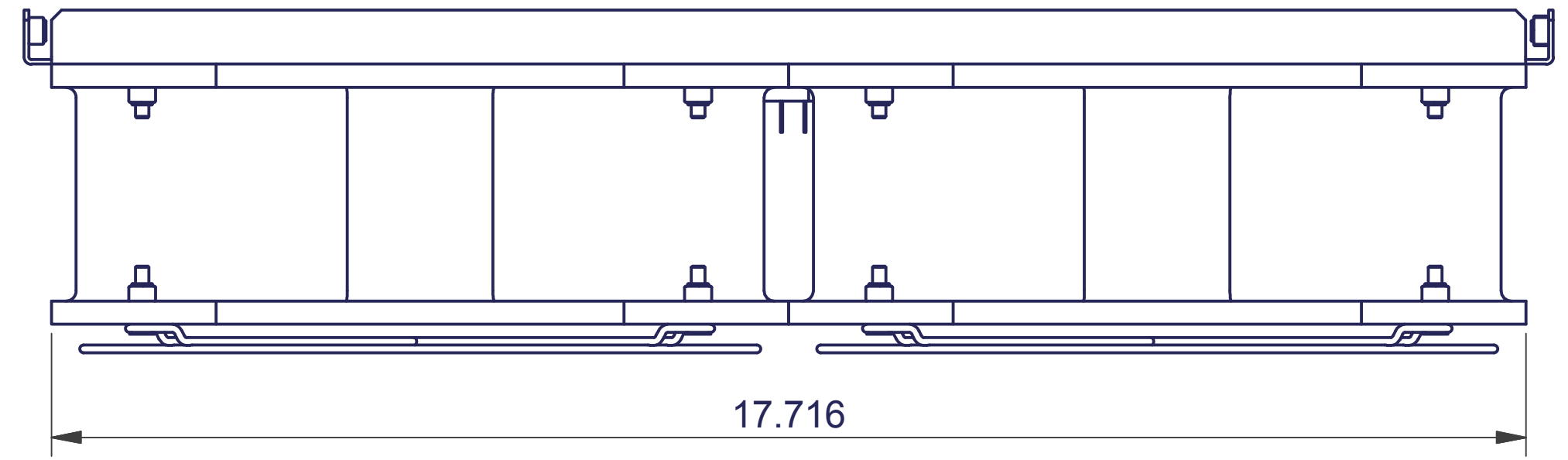
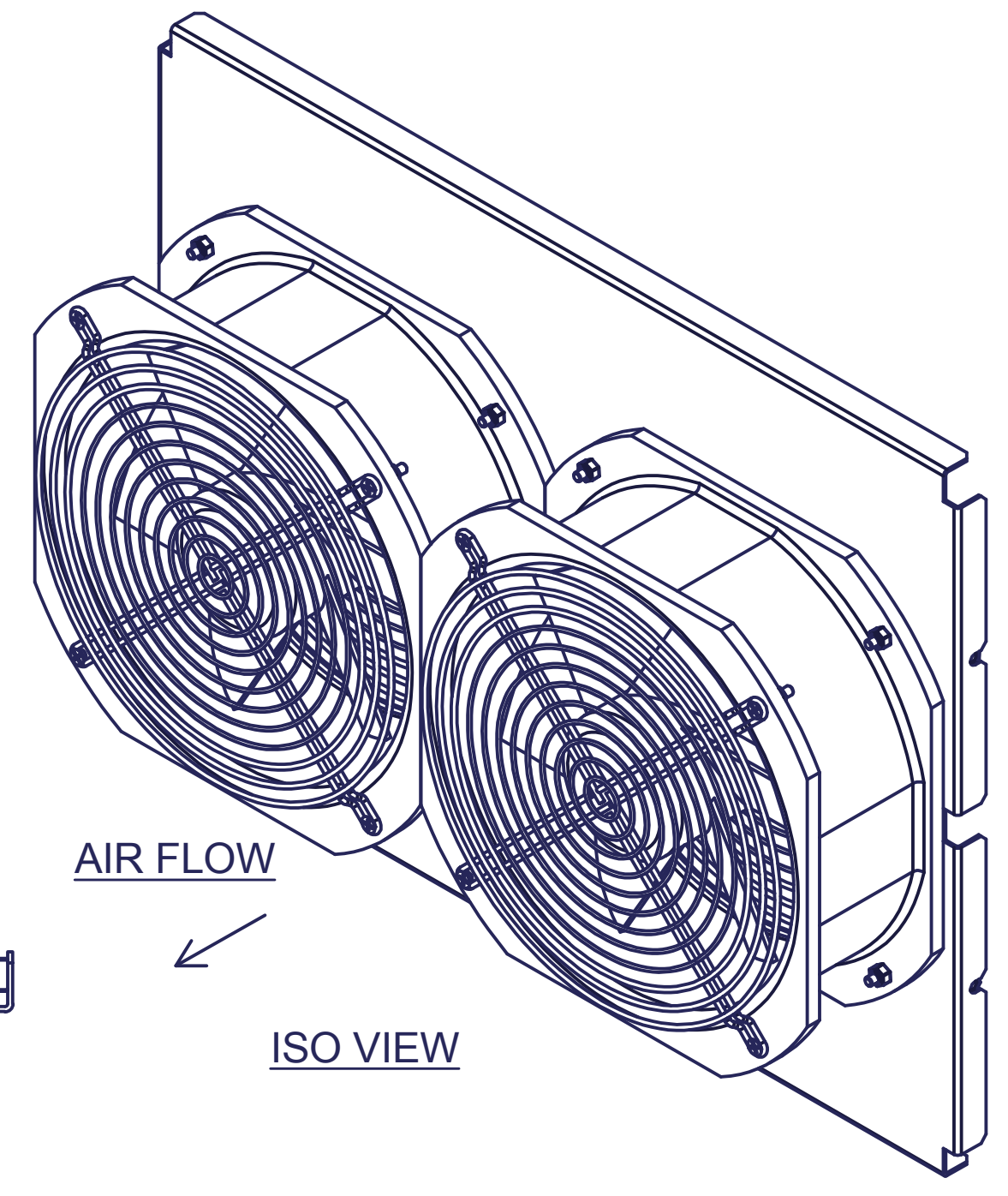


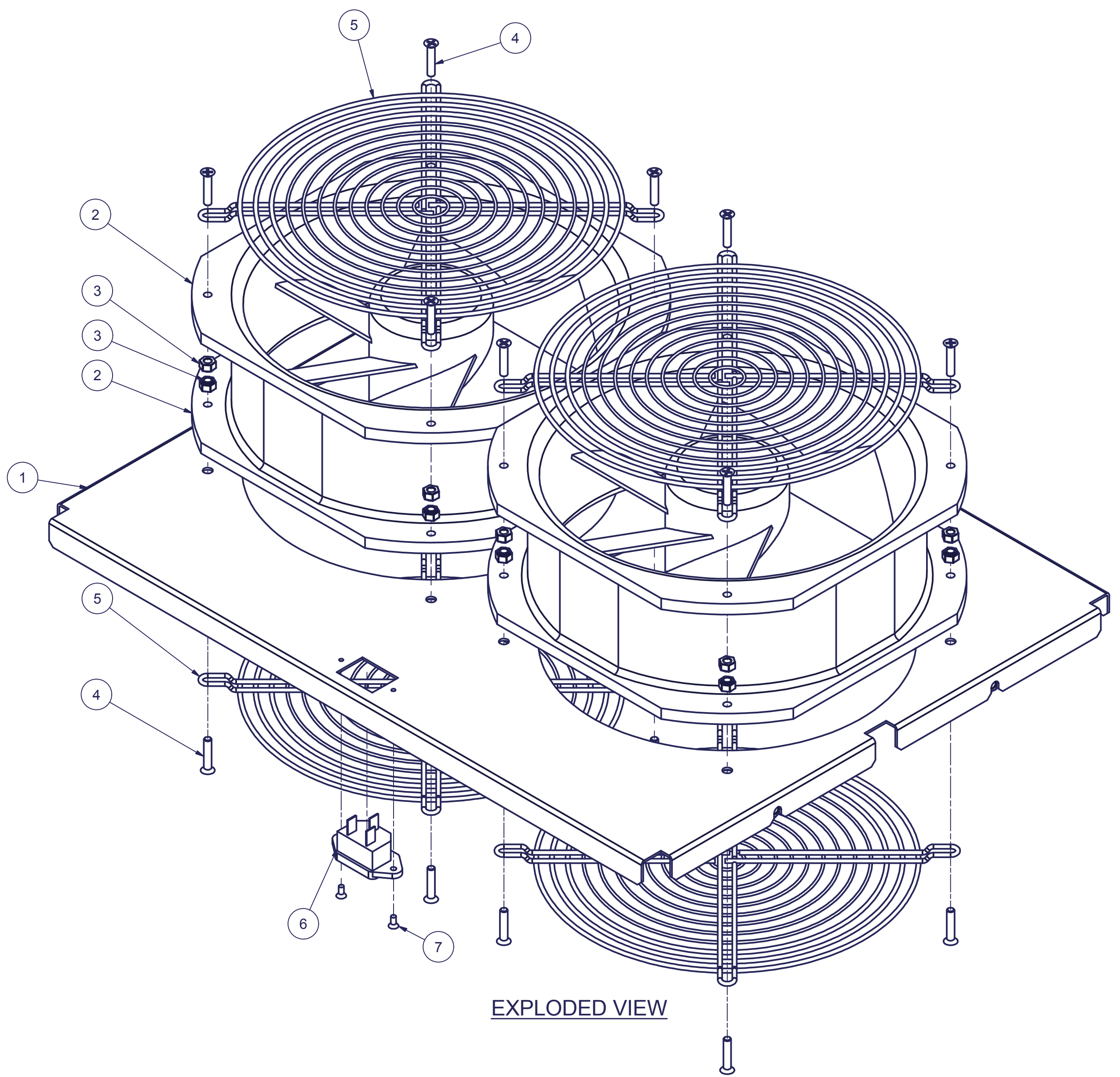
REVISION HISTORY			
REV	DESCRIPTION	DATE	APPROVED
1	ECO-03112	1/24/2011	FED

SPECIFICATIONS:

CFM: (600/ FAN) x 2 = 1200
 VAC = 115
 Hz = 50/60
 WATTS = 144
 LINE AMPS = 1.40A
 dba = 62 TO 64



Bill of Material						
ITEM	PART NUMBER	STOCK NUMBER	QTY	DESCRIPTION	FILE NAME	REVISION
1	ECFT48X100		1	EXHAUST CHIMNEY FAN TRAY FOR 48"D ES CHIMNEYS - DETAIL	I007926.ipt	0
2	OA225AN-11-WB		2	115 VOLT, 600 CFM, 8.9" ORION FAN	OA225AN-11-WB.ipt	-
3	832STOPNUT		20	8-32 ELASTIC STOP NUT, 2ZN3687	8-32STOPNUT.ipt	-
4	8/32X3/4SC		16	#8-32 x 3/4"L ZN PLATED FAN SCREW	8-32X750SC.ipt	-
5	G-225		4	FINGER GUARD FOR #OA225 FAN, KNIGHT ELEC. OR EQUIV.	G-225.ipt	-
6	XF0312IEC		1	12 FOOT POWER CORD, NEMA 5-15 PLUG		-
6	07071CW		1	IEC CONNECTOR - ARCO	07071CW.ipt	-
7	0404RPF		2	#4-40 x 1/4" TAPTITE PHIL FLAT HD ZN. PL. SCREW	0404RPF.ipt	-
9	C45-2DCT		1	2 FAN POWER WIRING HARNESS ASSEMBLY (KNIGHT)		-
10	XF34		1	2 FAN GROUNDING WIRING HARNESS ASSEMBLY		-



INTERPRET DRAWING PER ASME Y14.5M-1994
 DIMENSIONAL LIMITS APPLY
 AFTER APPLICATION OF FINISH
 DRAWING NOT TO SCALE
 TOLERANCE UNLESS OTHERWISE NOTED:
 ANGULAR +/- .1"
 .XXXX +/- .010
 .XXX +/- .015
 .XX +/- .030
 .X FOR REF. ONLY

NOTICE:
 Use of this document is subject to a confidentiality and nondisclosure agreement with Great Lakes Case & Cabinet Co., Inc. (GLCC) and may not be reproduced, disclosed or utilized in whole or in part without prior written authorization from GLCC.

PART NUMBER: **ECFT48**
 QTY PER UNIT: 1
 MATERIAL TYPE: CRS
 MATERIAL GAUGE: 16 GA
 FINISH: POWDERCOAT

TITLE: **EXHAUST CHIMNEY FAN TRAY FOR 48"D ES CHIMNEYS - TOP LEVEL**
 GREAT LAKES CASE & CABINET CO., INC.
 P.O. BOX 551 EDINBORO, PA 16412
 PHONE (814) 734-7303 FAX (814) 734-3907
 E-MAIL glcc@greatcabinets.com



THIRD ANGLE PROJECTION

UNLESS OTHERWISE SPECIFIED
 ALL DIMENSIONS ARE IN INCHES

DRAWN DATE: 1/30/2009
 CD
 CHECKED & APP. DATE: 1/24/2011
 WSS

DWG NO: **ECFT48**
 REV: **0**
 SHEET: 1 OF 1