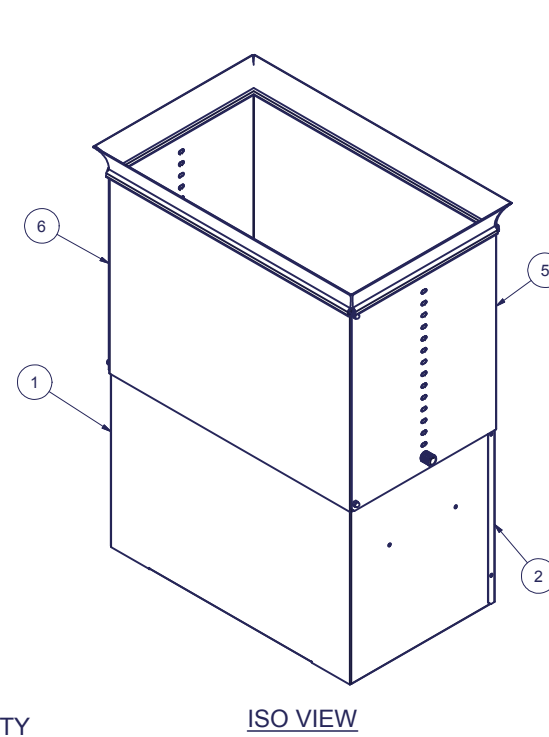
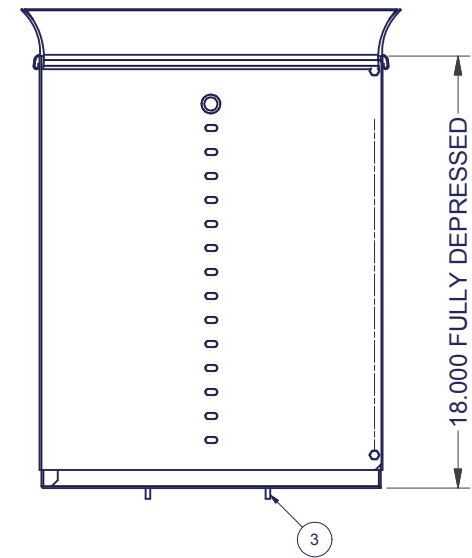
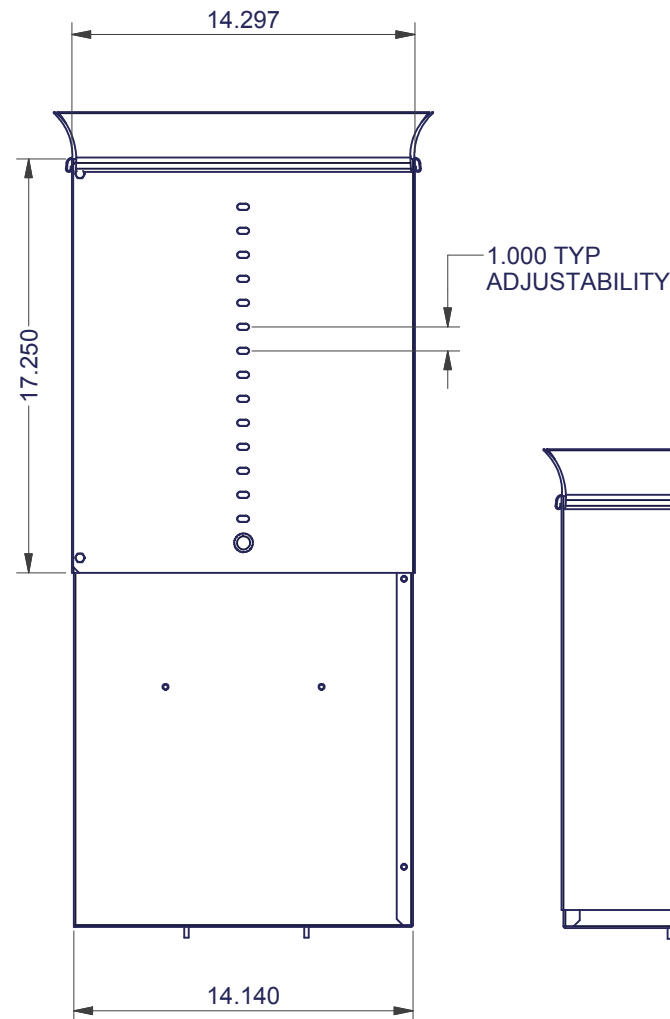
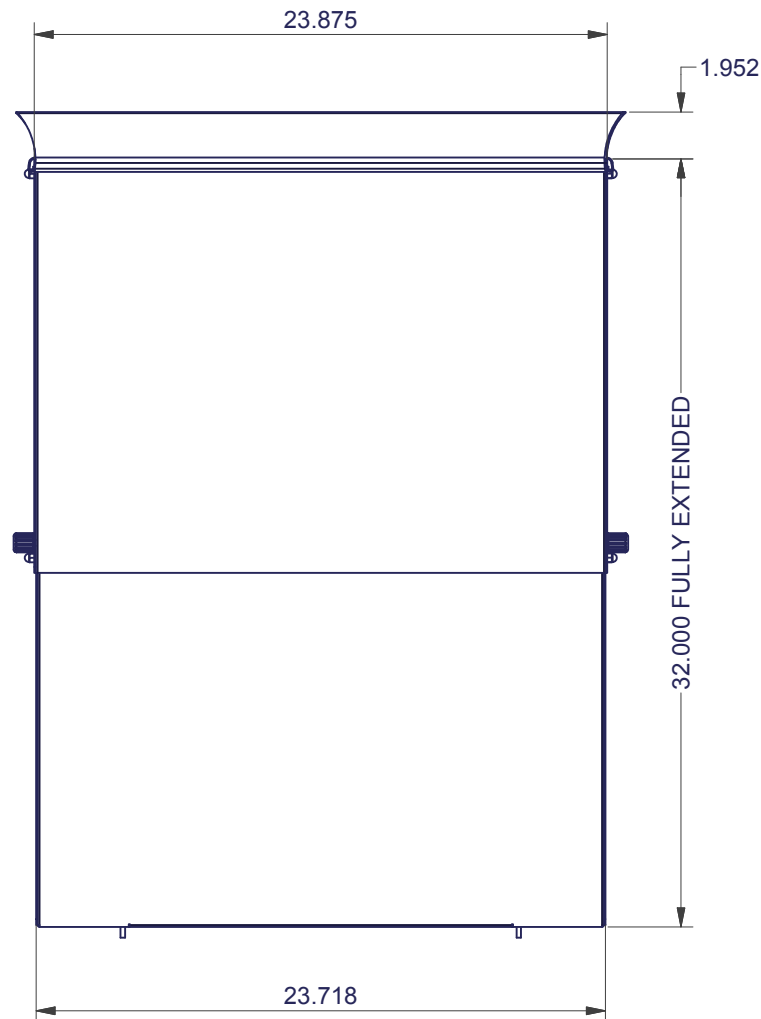
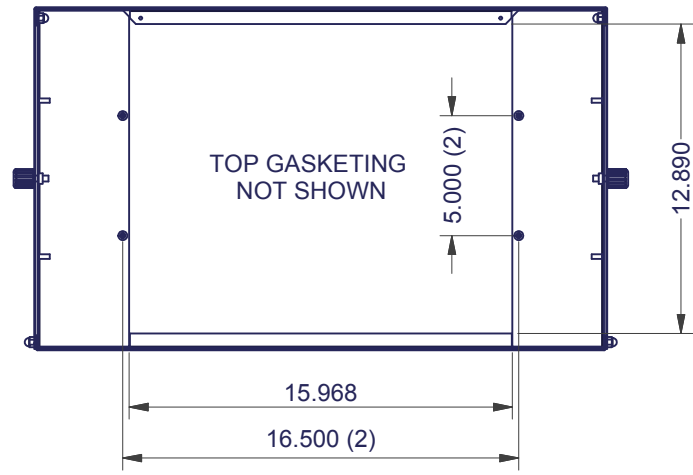


REVISION HISTORY			
REV	DESCRIPTION	DATE	APPROVED
0	ECO-03263	6/28/2011	FED

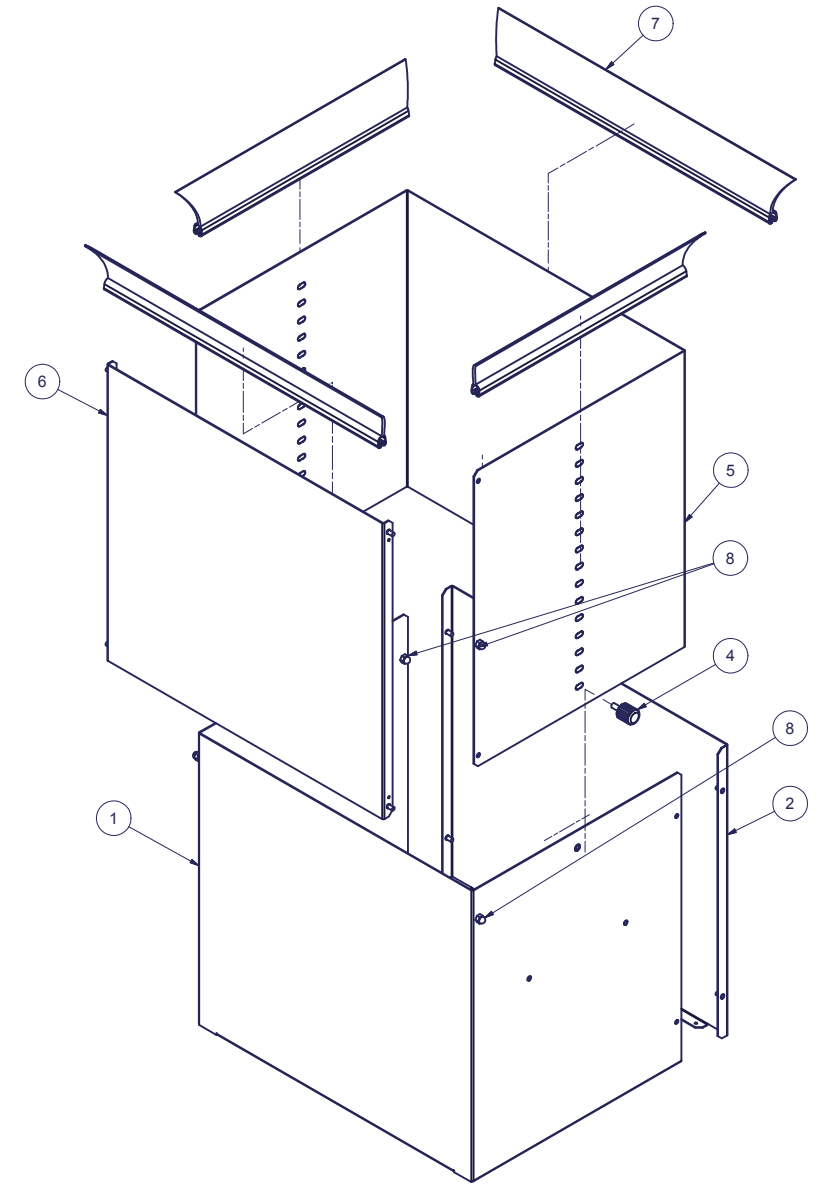
				Bill of Material		
ITEM	PART NUMBER	STOCK NUMBER	QTY	DESCRIPTION	FILE NAME	REVISION
1			1	48"D ES HIGH FLOW STYLE EXHAUST CHIMNEY BOTTOM BODY, 18"H - 32"H - DETAIL	I012770.iam	0
2			1	HIGH FLOW EXHAUST CHIMNEY BOTTOM COVER, 18"H - 32"H - DETAIL	I012771.iam	0
3	H01-078	H01-078	4	SCREW, 10-32x1/2" PH PAN TYPE 23 BLACK OXIDE/WAX RoHS (SCR1032X500BLK)	H01-078.ipt	-
4	KPK1300A	H19-117	2	ALLIANCE PLASTICS - 1/4-20 .591"L THREAD	KPK1300A.ipt	-
5			1	HIGH FLOW EXHAUST CHIMNEY ADJUSTABLE TOP BODY FOR 48"D - DETAIL	I012772.ipt	0
6			1	HIGH FLOW EXHAUST CHIMNEY ADJUSTABLE TOP COVER - DETAIL	I012773.iam	0
7			85.7"	UNI-GRIP FOAM GASKETING #ED-5360-SOFT; 2.5"H	-	-
8	H02-006	H02-006	8	#10-32 ACORN NUT NYLON BLACK (0501032LCNBLK)	H02-006.ipt	-

NOTES:

1. ASSEMBLE ITEMS #1 & #2; AND #5 & #6 AS SHOWN.
2. CUT GASKET (ITEM #7) TO LENGTH AS LISTED IN BOM, AND SHIP LOOSE WITH ASSEMBLY.
3. EXTRA HARDWARE (ITEMS #3,#4, & #7) TO BE BAGGED AND SHIPPED WITH CHIMNEY.



ISO VIEW



EXPLODED VIEW

INTERPRET DRAWING PER ASME Y14.5M-1994
 DIMENSIONAL LIMITS APPLY
 AFTER APPLICATION OF FINISH
 DRAWING NOT TO SCALE
 TOLERANCE UNLESS OTHERWISE NOTED:
 ANGULAR +/- .1°
 .XXXX +/- .010
 .XXX +/- .015
 .XX +/- .030
 .X FOR REF. ONLY

NOTICE:
 Use of this document is subject to a confidentiality and nondisclosure agreement with Great Lakes Case & Cabinet Co., Inc. (GLCC) and may not be reproduced, disclosed or utilized in whole or in part without prior written authorization from GLCC.

PART NUMBER:
ECHF481832X100
 QTY PER UNIT: 1
 MATERIAL TYPE:
 CRS
 MATERIAL GAUGE:
 SEE DETAILS
 FINISH: POWDERCOATED

TITLE: **HIGH FLOW EXHAUST CHIMNEY FOR 48"D ES, 18"H -32"H ADJUSTABLE RANGE - VENDOR LEVEL**
 GREAT LAKES CASE & CABINET CO., INC.
 P.O. BOX 551 EDINBORO, PA 16412
 PHONE (814) 734-7303 FAX (814) 734-3907
 E-MAIL glcc@greatcabinets.com

THIRD ANGLE PROJECTION

UNLESS OTHERWISE SPECIFIED ALL DIMENSIONS ARE IN INCHES

DRAWN: FED
 CHECKED & APP. DATE: 6/28/2011
 WSS

DWG NO: **1012768**
 REV: **0**
 SHEET: 1 OF 1