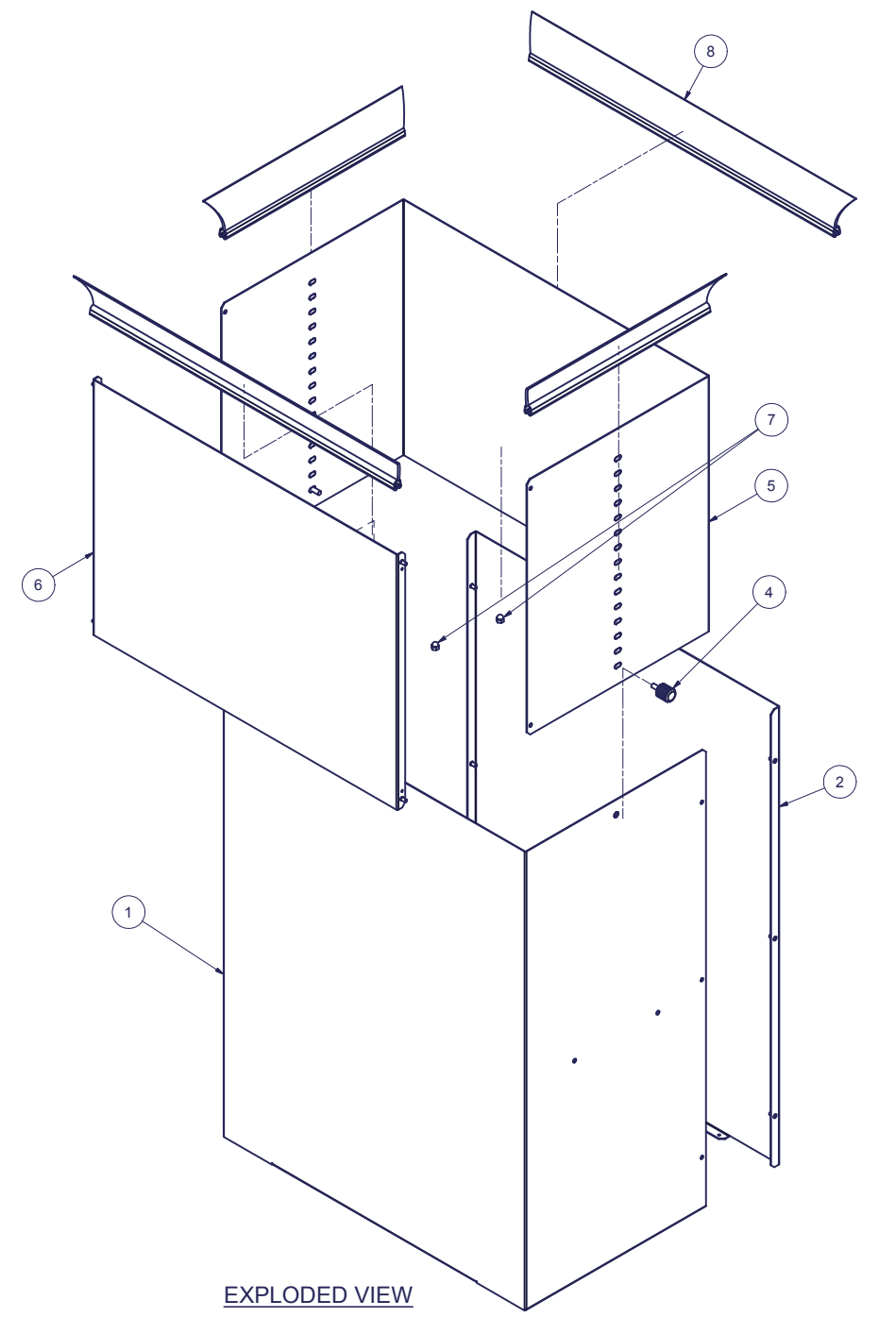
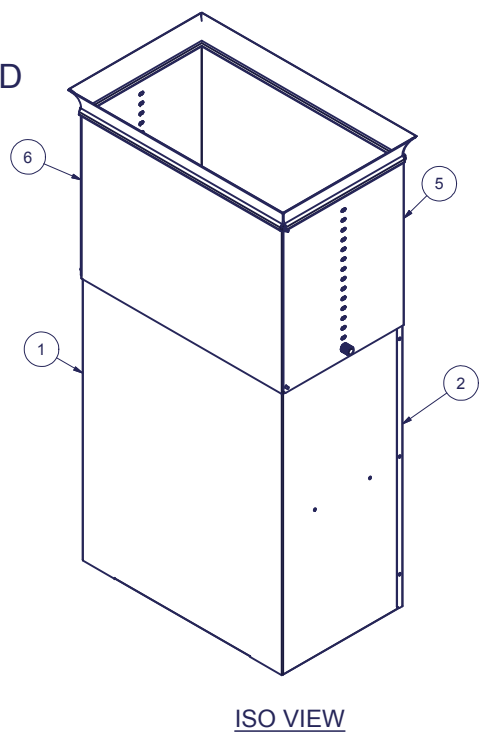
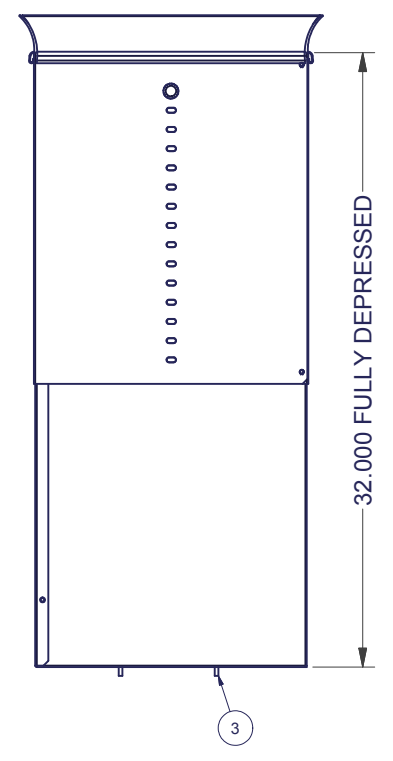
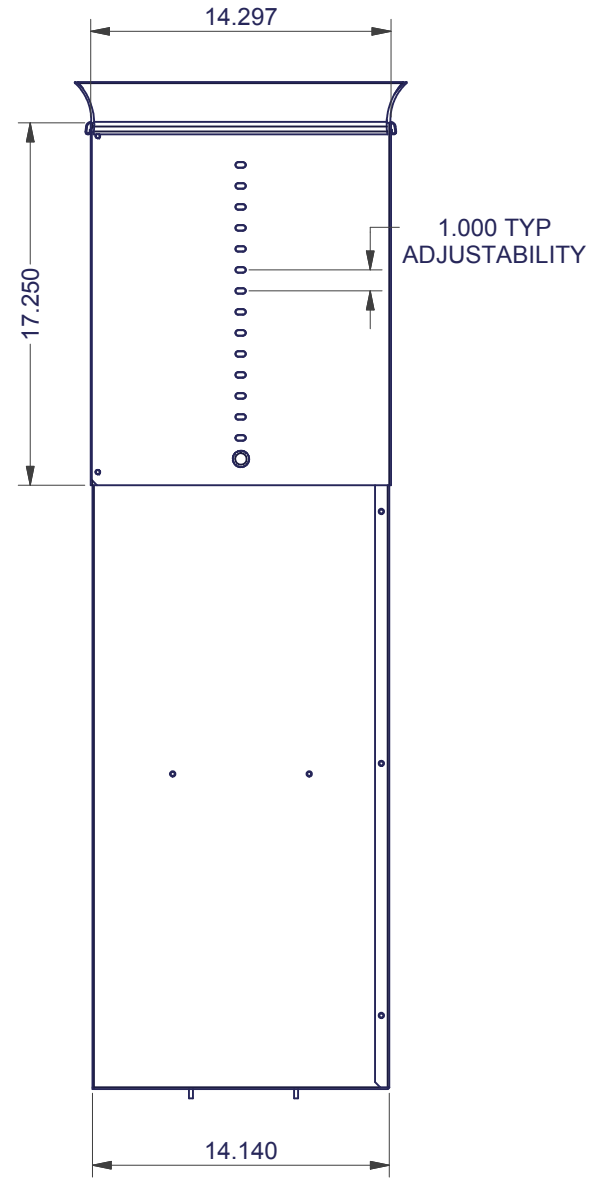
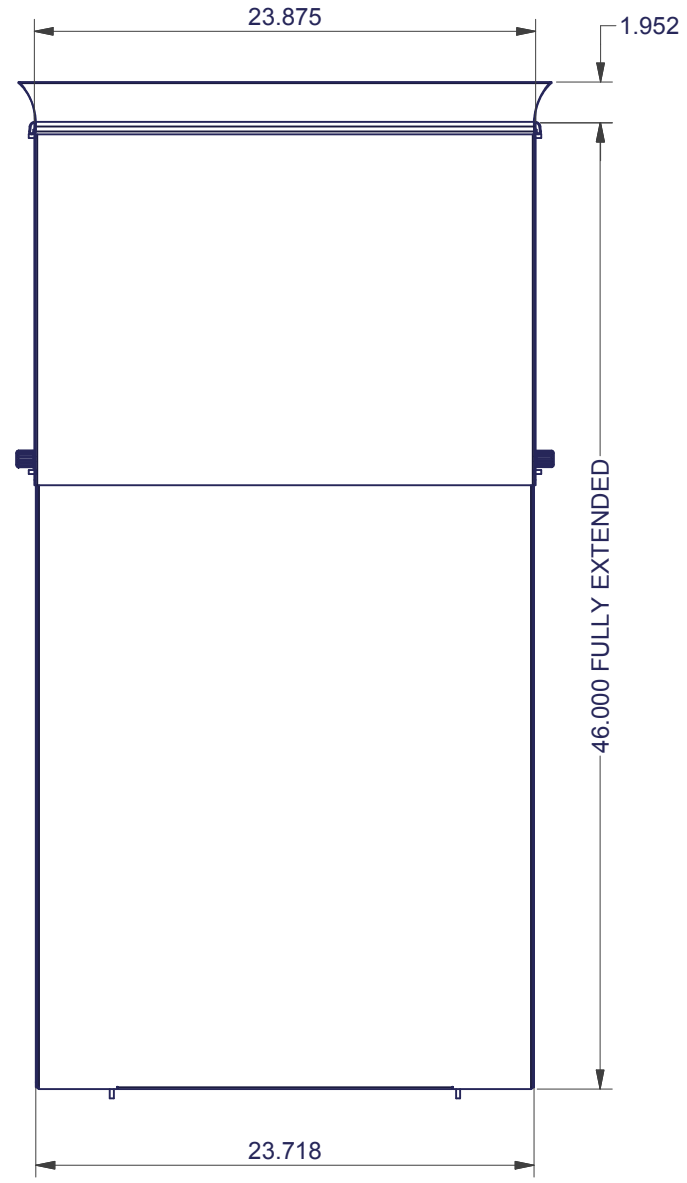
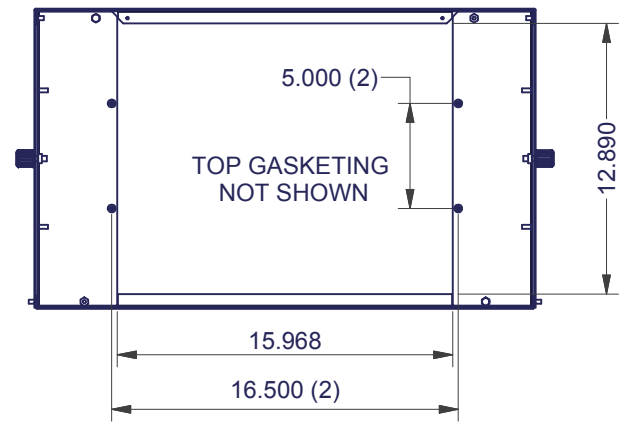


REVISION HISTORY			
REV	DESCRIPTION	DATE	APPROVED
0	ECO-03263	6/28/2011	FED

				Bill of Material			
ITEM	PART NUMBER	STOCK NUMBER	QTY	DESCRIPTION	FILE NAME	REVISION	
1			1	48"D ES HIGH FLOW STYLE EXHAUST CHIMNEY BOTTOM BODY, 32"H - 46"H - DETAIL	I012774.iam	0	
2			1	HIGH FLOW EXHAUST CHIMNEY BOTTOM COVER 32"H - 46"H - DETAIL	I012775.iam	0	
3	H01-078	H01-078	4	SCREW, 10-32x1/2" PH PAN TYPE 23 BLACK OXIDE/WAX RoHS (SCR1032X500BLK)	H01-078.ipt	-	
4	KPK1300A	H19-117	2	ALLIANCE PLASTICS - 1/4-20 .591"L THREAD	KPK1300A.ipt	-	
5			1	HIGH FLOW EXHAUST CHIMNEY ADJUSTABLE TOP BODY FOR 48"D - DETAIL	I012772.ipt	0	
6			1	HIGH FLOW EXHAUST CHIMNEY ADJUSTABLE TOP COVER - DETAIL	I012773.iam	0	
7	H02-006	H02-006	10	#10-32 ACORN NUT NYLON BLACK (0501032LCNBLK)	H02-006.ipt	-	
8			85.7"	UNI-GRIP FOAM GASKETING 1.75"H	-	-	

NOTES:

1. ASSEMBLE ITEMS #1 & #2; AND #5 & #6 AS SHOWN.
2. CUT GASKET (ITEM #7) TO LENGTH AS LISTED IN BOM, AND SHIP LOOSE WITH ASSEMBLY.
2. EXTRA HARDWARE (ITEMS #3,#4, & #7) TO BE BAGGED AND SHIPPED WITH CHIMNEY.



INTERPRET DRAWING PER ASME Y14.5M-1994
DIMENSIONAL LIMITS APPLY AFTER APPLICATION OF FINISH
DRAWING NOT TO SCALE
TOLERANCE UNLESS OTHERWISE NOTED:
ANGULAR +/- .1°
.XXXX +/- .010
.XXX +/- .015
.XX +/- .030
.X FOR REF. ONLY
UNLESS OTHERWISE SPECIFIED ALL DIMENSIONS ARE IN INCHES

NOTICE:
Use of this document is subject to a confidentiality and nondisclosure agreement with Great Lakes Case & Cabinet Co., Inc. (GLCC) and may not be reproduced, disclosed or utilized in whole or in part without prior written authorization from GLCC.

PART NUMBER:	ECHF483246X100
QTY PER UNIT:	1
MATERIAL TYPE:	CRS
MATERIAL GAUGE:	SEE DETAILS
FINISH:	POWDERCOATED
DRAWN DATE:	FED 6/28/2011
CHECKED & APP. DATE:	WSS 6/28/2011

TITLE	HIGH FLOW EXHAUST CHIMNEY FOR 48"D ES, 32"H -46"H ADJUSTABLE RANGE - VENDOR LEVEL
GREAT LAKES CASE & CABINET CO., INC.	
P.O. BOX 551 EDINBORO, PA 16412	
PHONE (814) 734-7303 FAX (814) 734-3907	
E-MAIL glcc@greatcabinets.com	
DWG NO:	I012769
REV	0
SHEET:	1 OF 1