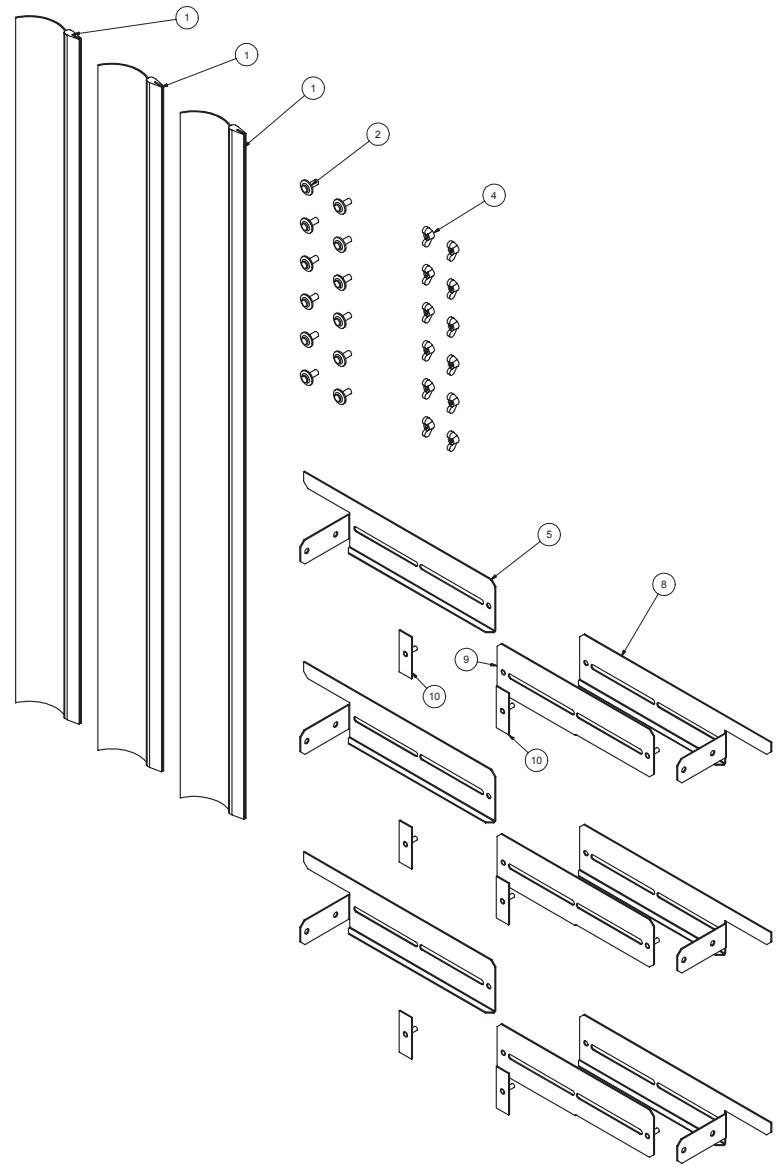


REVISION HISTORY			
REV	DESCRIPTION	DATE	APPROVED
0	ECC-02372	9/4/2008	WSS



Bill of Material						
ITEM	PART NUMBER	STOCK NUMBER	QTY	DESCRIPTION	FILE NAME	REVISION
1	FPVC123036		3	FLEXIBLE PVC TRIM, 3" WIDE, 36" LONG - TANIS MFG.	FPVC123036.ipt	-
2	30063008-05004D		12	PANEL FASTENER, TUFLOK, ITW-FASTEX, OR EQUIV.	30063008-05004D.ipt	-
4	10/32WING		12	#10-32 WING NUT 22N36616	10-32WING.ipt	-
5			3	SIDE AIR FLOW PLENUM BRUSH BRACKET - LEFT	I008538.ipt	0
8			3	SIDE AIR FLOW PLENUM BRUSH BRACKET - RIGHT	I008539.ipt	0
9			3	SIDE AIR FLOW PLENUM BRUSH BRACKET - MIDDLE	I008540.ipt	0
10			6	SIDE AIR FLOW PLENUM REVERSIBLE PEM STUD	I008541.ipt	0



INTERPRET DRAWING PER ASME Y14.5M-1994  
 DIMENSIONAL LIMITS APPLY AFTER APPLICATION OF FINISH  
 DRAWING NOT TO SCALE  
 TOLERANCE UNLESS OTHERWISE NOTED:  
 ANGULAR +/- 1°  
 XXXX +/- .010  
 XXX +/- .015  
 XX +/- .030  
 X FOR REF. ONLY  
 UNLESS OTHERWISE SPECIFIED ALL DIMENSIONS ARE IN INCHES

**NOTICE:**  
 Use of this document is subject to a confidentiality and nondisclosure agreement with Great Lakes Case & Cabinet Co., Inc. (GLCC) and may not be reproduced, disclosed or utilized in whole or in part without prior written authorization from GLCC.

PART NUMBER: **SAFPLM**  
 QTY PER UNIT: 1  
 MATERIAL TYPE: **Steel & brush grommet**  
 MATERIAL GAUGE: **#16 GA**  
 FINISH: -  
 DRAWN: CD  
 CHECKED & APP: WSS  
 DATE: 2/13/2008  
 DATE: 9/4/08

TITLE: **SIDE AIRFLOW PLENUM KIT FOR MULTIPLE - TOP LEVEL KIT**  
 GREAT LAKES CASE & CABINET CO., INC.  
 P.O. BOX 551 EDINBORO, PA 16412  
 PHONE: (814) 734-7323 FAX: (814) 734-3907  
 E-MAIL: glcc@greatlakescabinets.com  
 DWG NO: **I007417**  
 REV: **1**  
 SHEET: 1 OF 1