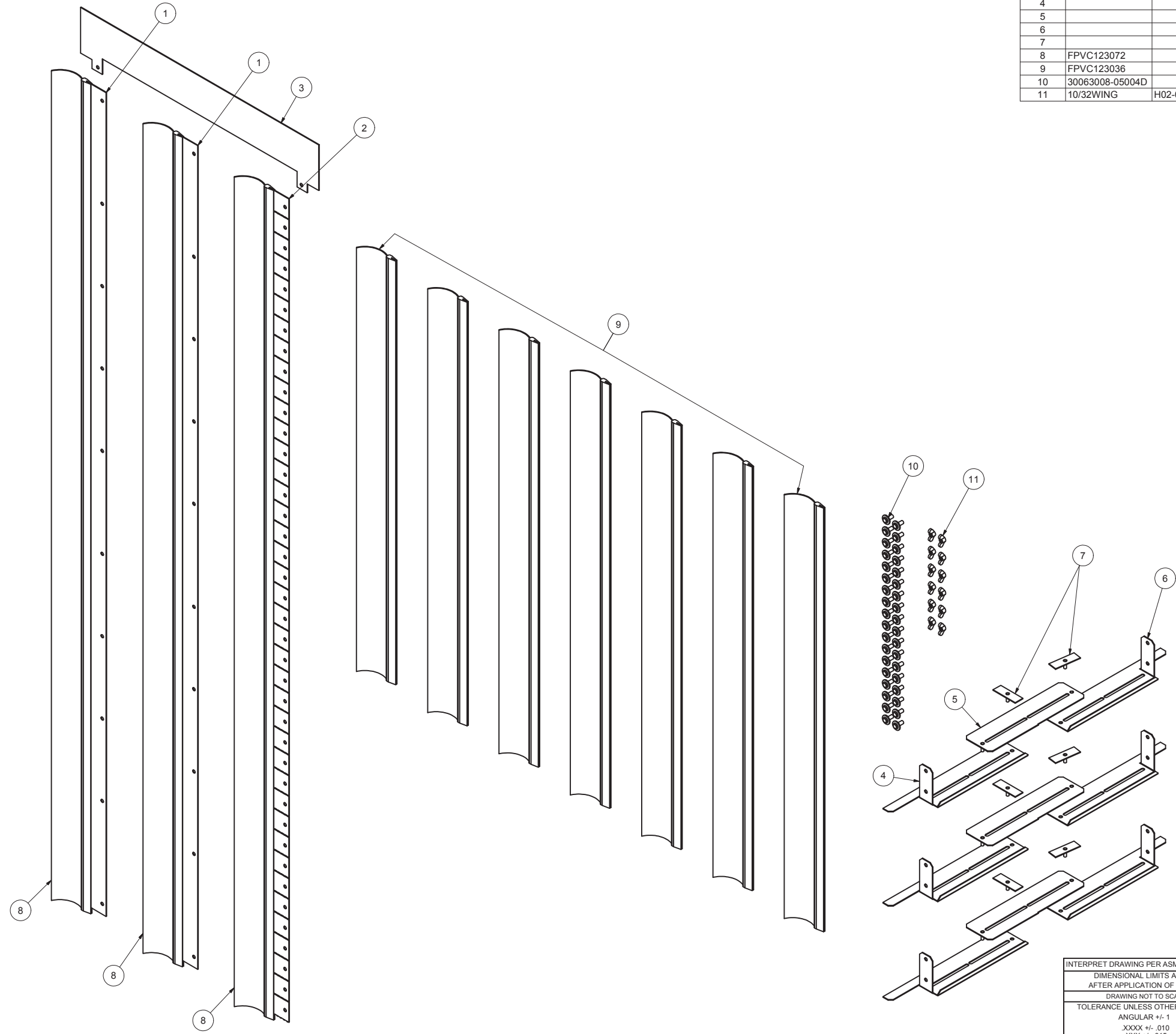


REVISION HISTORY			
REV	DESCRIPTION	DATE	APPROVED
0	ECO-02173	2/14/2008	JL
1	ECO-02250	4/21/2008	JL
2	ECO-02595	7/6/2009	FED

Bill of Material						
ITEM	PART NUMBER	STOCK NUMBER	QTY	DESCRIPTION	FILE NAME	REVISION
1			2	VERTICAL AIR-DAM	I006525.ipt	0
2			1	ADJUSTABLE VERTICAL AIR-DAM	I006526.ipt	0
3			1	TOP BRUSH STRIP BRACKET	I006527.ipt	0
4			3	SIDE AIR FLOW PLENUM BRUSH BRACKET - LEFT	I008538.ipt	0
5			3	SIDE AIR FLOW PLENUM BRUSH BRACKET - MIDDLE	I008540.iam	0
6			3	SIDE AIR FLOW PLENUM BRUSH BRACKET - RIGHT	I008539.ipt	0
7			6	SIDE AIR FLOW PLENUM REVERSIBLE PEM STUD	I008541.iam	0
8	FPVC123072		3	FLEXIBLE PVC TRIM, 3" WIDE, 72" LONG - TANIS MFG.	FPVC123072.ipt	-
9	FPVC123036		7	FLEXIBLE PVC TRIM, 3" WIDE, 36" LONG - TANIS MFG.	FPVC123036.ipt	-
10	30063008-05004D		36	PANEL FASTENER, TUFLOK, ITW-FASTEX. OR EQUIV.	30063008-05004D.ipt	-
11	10/32WING	H02-004	12	#10-32 WING NUT 2ZN36616	10-32WING.ipt	-



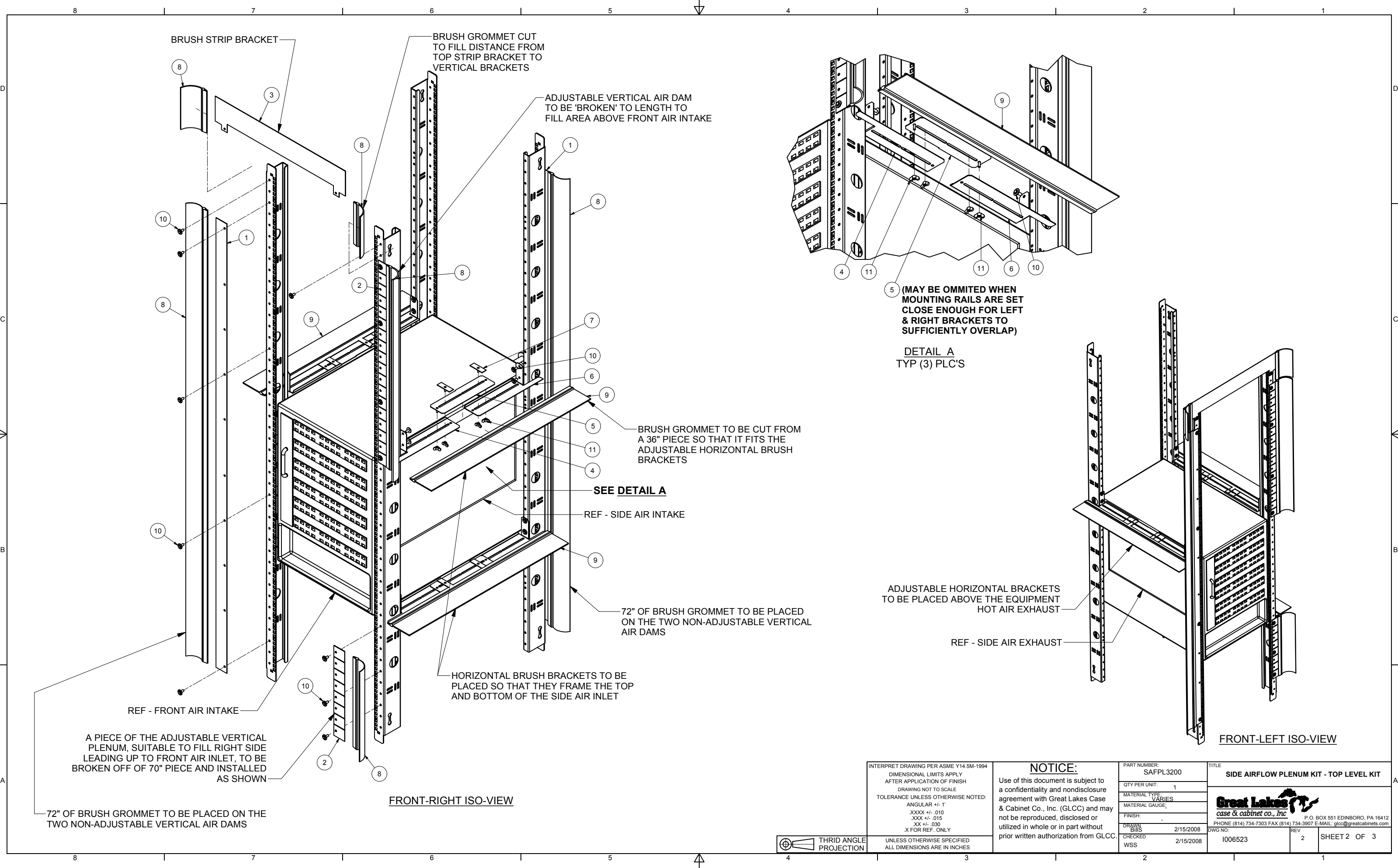
INTERPRET DRAWING PER ASME Y14.5M-1994  
 DIMENSIONAL LIMITS APPLY  
 AFTER APPLICATION OF FINISH  
 DRAWING NOT TO SCALE  
 TOLERANCE UNLESS OTHERWISE NOTED:  
 ANGULAR +/- .1  
 .XXXX +/- .010  
 .XXX +/- .015  
 .XX +/- .030  
 .X FOR REF. ONLY  
 UNLESS OTHERWISE SPECIFIED  
 ALL DIMENSIONS ARE IN INCHES

**NOTICE:**  
 Use of this document is subject to a confidentiality and nondisclosure agreement with Great Lakes Case & Cabinet Co., Inc. (GLCC) and may not be reproduced, disclosed or utilized in whole or in part without prior written authorization from GLCC.

PART NUMBER:  
**SAFPL**  
 QTY PER UNIT: 1  
 MATERIAL TYPE:  
**CRS & brush grommet**  
 MATERIAL GAUGE:  
**#16 GA**  
 FINISH: -  
 DRAWN: FED  
 CHECKED & APP. WSS  
 DATE: 7/7/2009  
 DATE: 7/7/2009

TITLE  
**SIDE AIRFLOW PLENUM KIT - TOP LEVEL KIT**  
 GREAT LAKES CASE & CABINET CO., INC.  
 P.O. BOX 551 EDINBORO, PA 16412  
 PHONE (814) 734-7303 FAX (814) 734-3907  
 E-MAIL glcc@greatcabinets.com  
 DWG NO: **I006523**  
 REV: **2**  
 SHEET: 1 OF 3





BRUSH STRIP BRACKET

BRUSH GROMMET CUT TO FILL DISTANCE FROM TOP STRIP BRACKET TO VERTICAL BRACKETS

ADJUSTABLE VERTICAL AIR DAM TO BE 'BROKEN' TO LENGTH TO FILL AREA ABOVE FRONT AIR INTAKE

(MAY BE OMITTED WHEN MOUNTING RAILS ARE SET CLOSE ENOUGH FOR LEFT & RIGHT BRACKETS TO SUFFICIENTLY OVERLAP)

DETAIL A  
TYP (3) PLC'S

BRUSH GROMMET TO BE CUT FROM A 36" PIECE SO THAT IT FITS THE ADJUSTABLE HORIZONTAL BRUSH BRACKETS

SEE DETAIL A

REF - SIDE AIR INTAKE

72" OF BRUSH GROMMET TO BE PLACED ON THE TWO NON-ADJUSTABLE VERTICAL AIR DAMS

ADJUSTABLE HORIZONTAL BRACKETS TO BE PLACED ABOVE THE EQUIPMENT HOT AIR EXHAUST

REF - SIDE AIR EXHAUST

HORIZONTAL BRUSH BRACKETS TO BE PLACED SO THAT THEY FRAME THE TOP AND BOTTOM OF THE SIDE AIR INLET

FRONT-LEFT ISO-VIEW

FRONT-RIGHT ISO-VIEW

A PIECE OF THE ADJUSTABLE VERTICAL PLENUM, SUITABLE TO FILL RIGHT SIDE LEADING UP TO FRONT AIR INLET, TO BE BROKEN OFF OF 70" PIECE AND INSTALLED AS SHOWN

72" OF BRUSH GROMMET TO BE PLACED ON THE TWO NON-ADJUSTABLE VERTICAL AIR DAMS

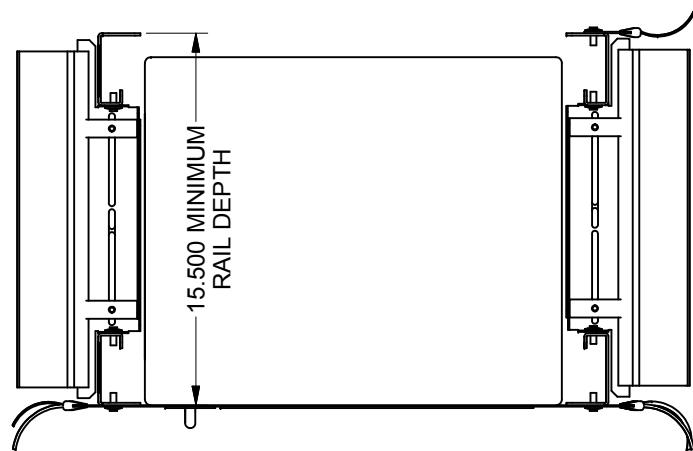
INTERPRET DRAWING PER ASME Y14.5M-1994  
DIMENSIONAL LIMITS APPLY AFTER APPLICATION OF FINISH  
DRAWING NOT TO SCALE  
TOLERANCE UNLESS OTHERWISE NOTED:  
ANGULAR +/- .1"  
.XXXX +/- .010  
.XXX +/- .015  
.XX +/- .030  
.X FOR REF. ONLY

**NOTICE:**  
Use of this document is subject to a confidentiality and nondisclosure agreement with Great Lakes Case & Cabinet Co., Inc. (GLCC) and may not be reproduced, disclosed or utilized in whole or in part without prior written authorization from GLCC.

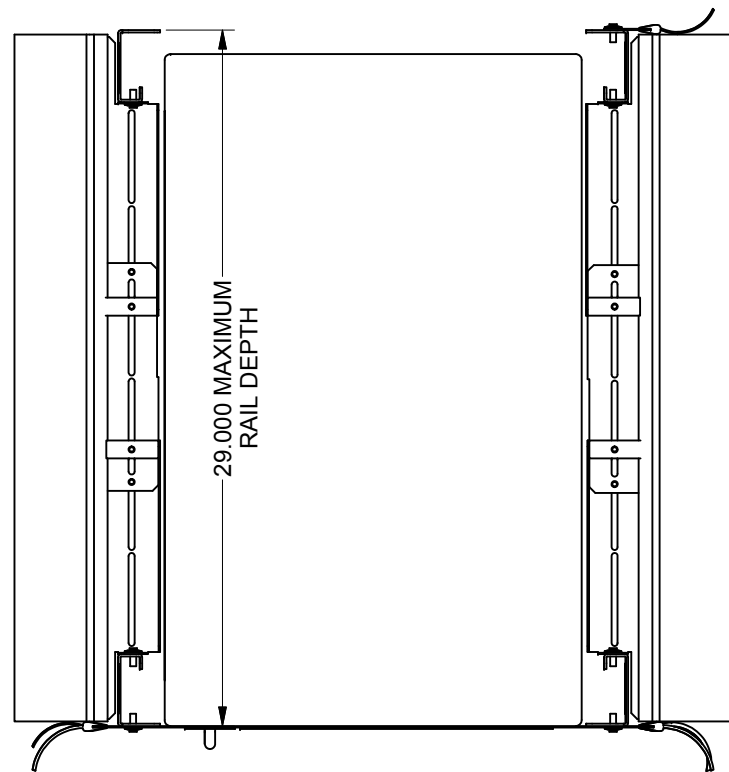
PART NUMBER: SAFPL3200  
QTY PER UNIT: 1  
MATERIAL TYPE: VARIES  
MATERIAL GAUGE:  
FINISH:  
DRAWN: 2/15/2008  
CHECKED: 2/15/2008  
WSS

TITLE: SIDE AIRFLOW PLENUM KIT - TOP LEVEL KIT  
**Great Lakes**  
case & cabinet co., inc  
P.O. BOX 551 EDINBORO, PA 16412  
PHONE (814) 734-7303 FAX (814) 734-3907 E-MAIL: glcc@greatcabinets.com  
DWG NO: 1006523  
REV: 2  
SHEET 2 OF 3

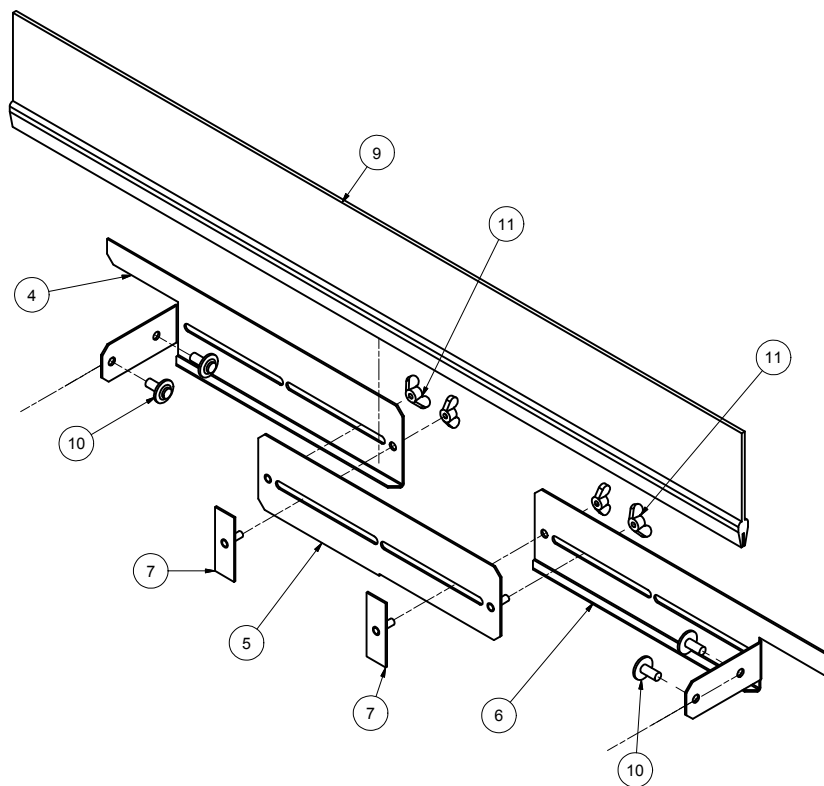
THIRD ANGLE PROJECTION



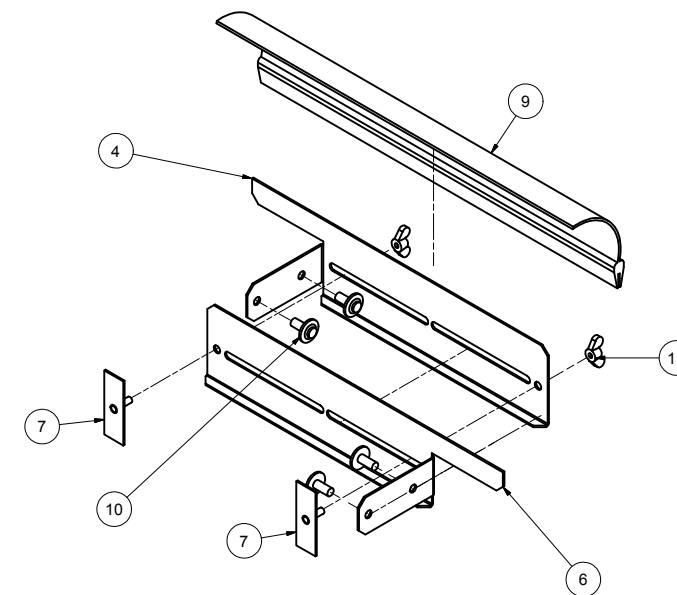
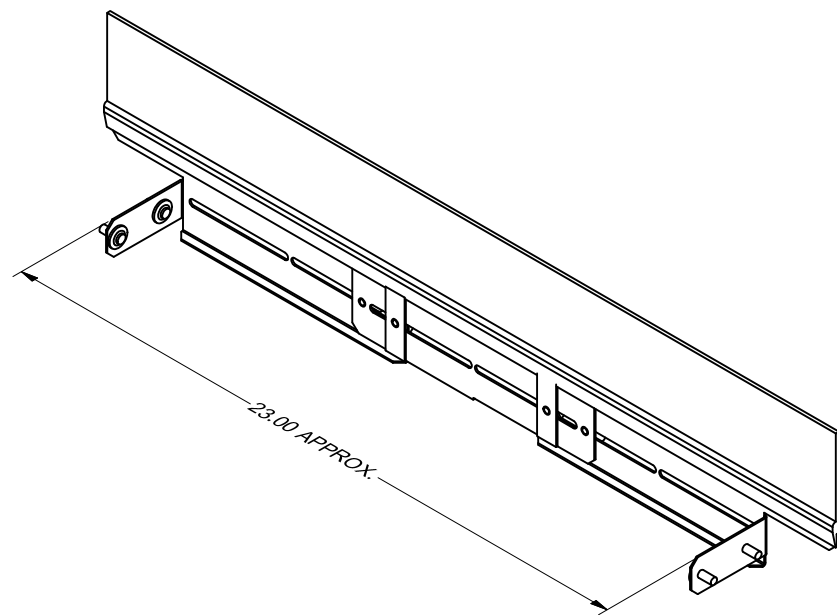
TOP VIEW  
MIN RAIL DEPTH SHOWN



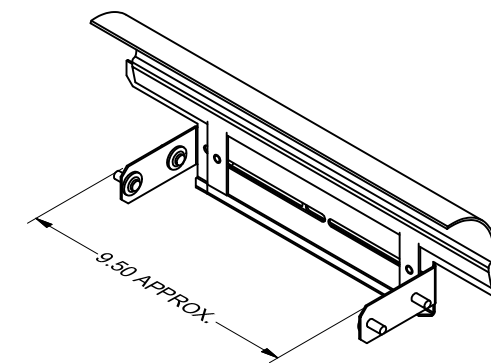
TOP VIEW  
MAX RAIL DEPTH SHOWN



HORIZONTAL AIR DAM ASSEMBLY FOR LARGE MTG RAIL SPACINGS



HORIZONTAL AIR DAM ASSEMBLY FOR SMALL MTG RAIL SPACINGS



INTERPRET DRAWING PER ASME Y14.5M-1994  
DIMENSIONAL LIMITS APPLY  
AFTER APPLICATION OF FINISH  
DRAWING NOT TO SCALE  
TOLERANCE UNLESS OTHERWISE NOTED:  
ANGULAR +/- .1°  
.XXXX +/- .010  
.XXX +/- .015  
.XX +/- .030  
.X FOR REF. ONLY

**NOTICE:**

Use of this document is subject to a confidentiality and nondisclosure agreement with Great Lakes Case & Cabinet Co., Inc. (GLCC) and may not be reproduced, disclosed or utilized in whole or in part without prior written authorization from GLCC.

PART NUMBER:  
SAFPL3200  
QTY PER UNIT:  
1  
MATERIAL TYPE:  
VARIES  
MATERIAL GAUGE:  
FINISH:  
DRAWN:  
7/7/2009  
CHECKED:  
WSS  
7/7/2009

TITLE  
SIDE AIRFLOW PLENUM KIT - TOP LEVEL KIT  
**Great Lakes**  
case & cabinet co., inc  
P.O. BOX 551 EDINBORO, PA 16412  
PHONE (814) 734-7303 FAX (814) 734-3907 E-MAIL: glcc@greatcabinets.com  
DWG NO:  
1006523  
REV  
2  
SHEET 3 OF 3



THIRD ANGLE  
PROJECTION  
UNLESS OTHERWISE SPECIFIED  
ALL DIMENSIONS ARE IN INCHES

