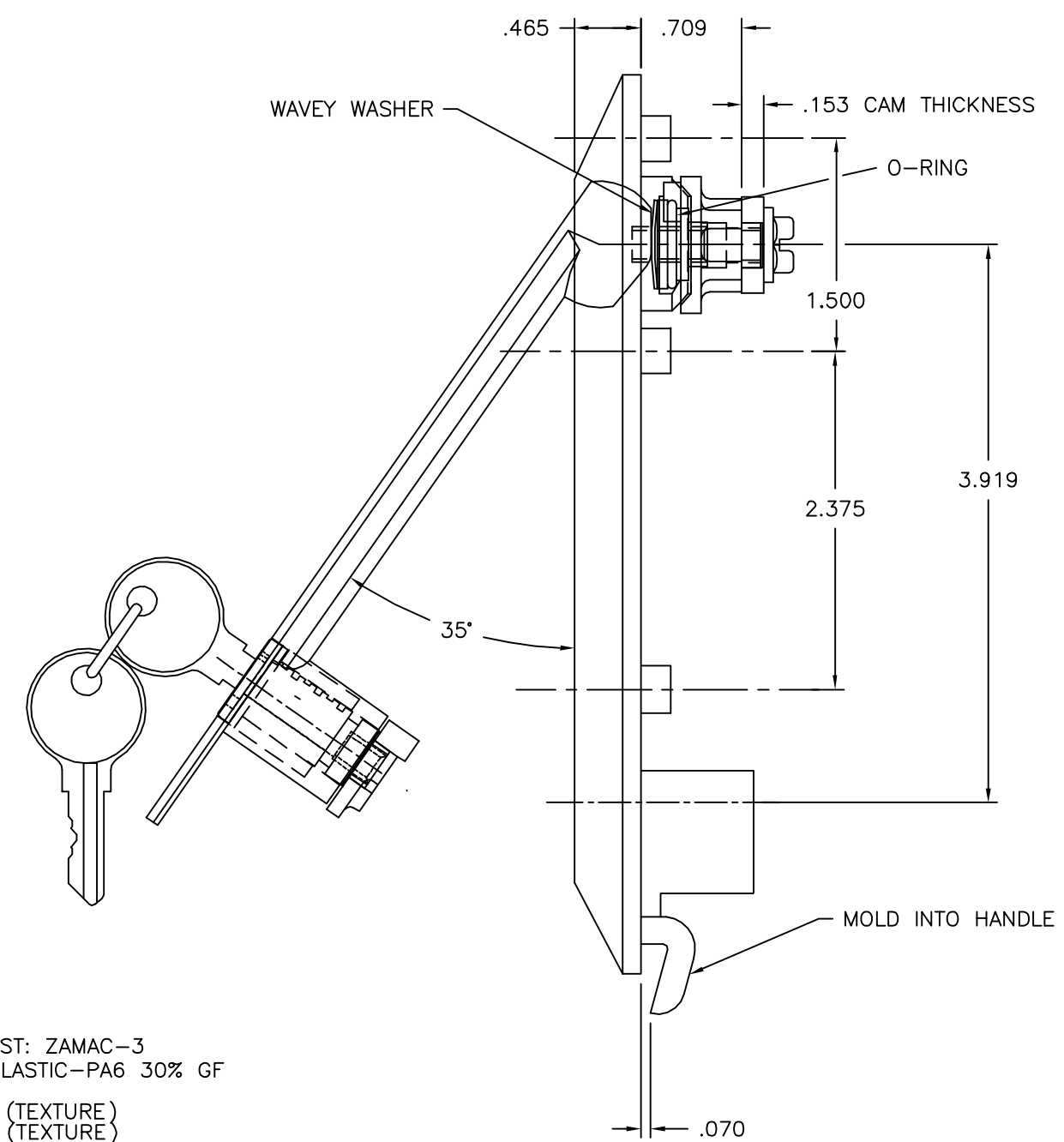
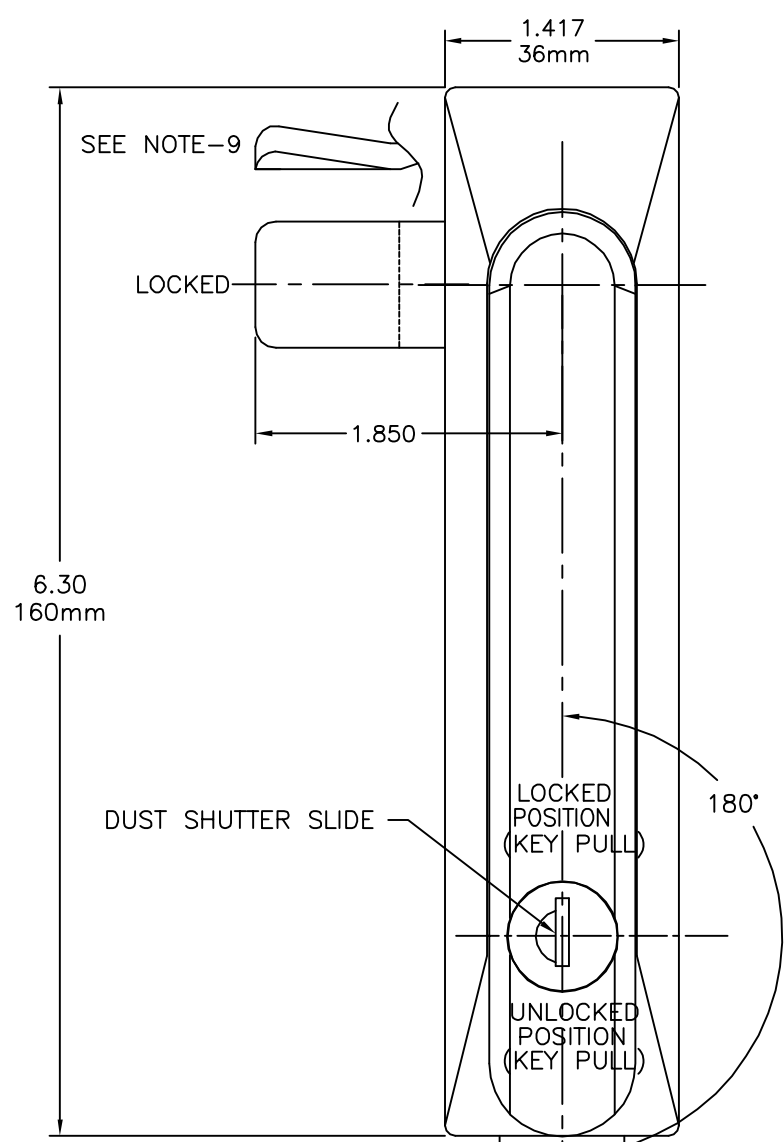


8 7 6 5 4 3 2 1



- NOTES:**
- 1- MATERIAL- HANDLE- ZINC DIE CAST: ZAMAC-3
HOUSING- INJECTED PLASTIC-PA6 30% GF
CAM- STEEL
 - 2- FINISH- HANDLE- BLACK PLATED (TEXTURE)
HOUSING- BLACK PLASTIC (TEXTURE)
CAM- ZINC PLATED
 - 3- KEYS: (2) NICKEL PLATED BRASS RUNG (KEYED ALIKE)
 - 4- KEY ROTATION- 180° CCW WITH KEY BITTING AT 6:00 WHEN HANDLE IS LOCKED
KEY PULL IN BOTH POSITIONS
 - 5- HANDLE ROTATION- 90° CCW
 - 6- CAM ROTATION FROM 9:00 TO 6:00
 - 7- NUMBER OF CODES REQ'D. (1)-1333
 - 8- CAM REMOVABLE-SEMS SCREW
 - 9- CAM BEND IN
 - 10- HANDLE PACKED IN FOAM POUCH
 - 11- KEYS, SCREWS, RETAINER: BULK PACKED

UNLESS OTHERWISE SPECIFIED
DIMENSIONS ARE IN INCHES

TOLERANCES

ANGLES	± 30'
FRACTIONS	± 1/64
DECIMALS	.X ± .030
	.XX ± .010
	.XXX ± .005
	.XXXX ± .0002

25mm x 150mm CUTOUT SIZE



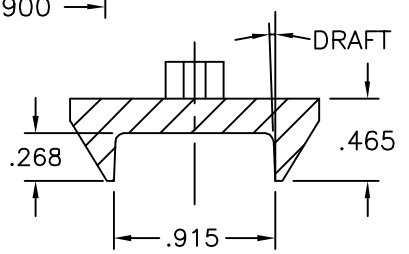
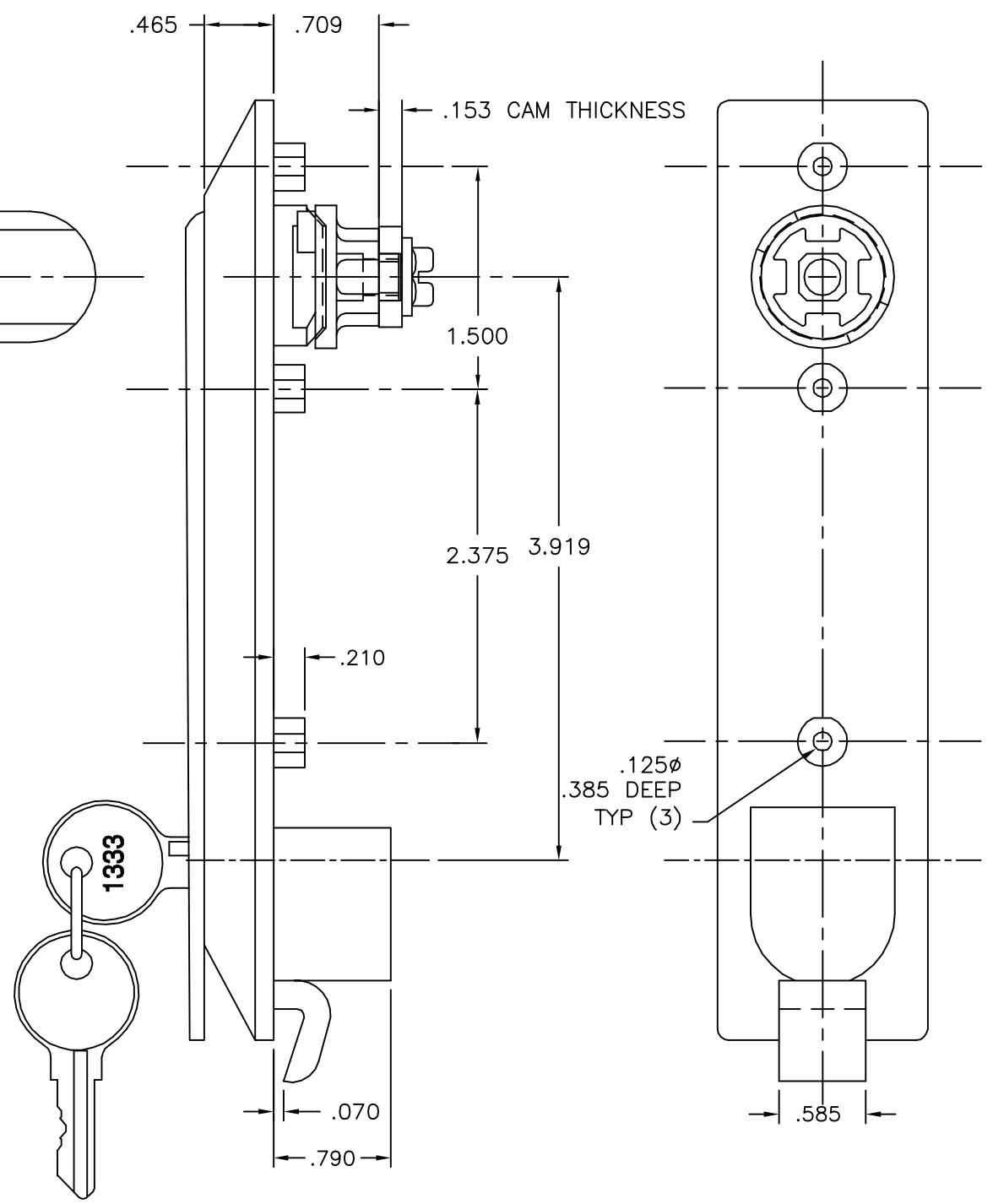
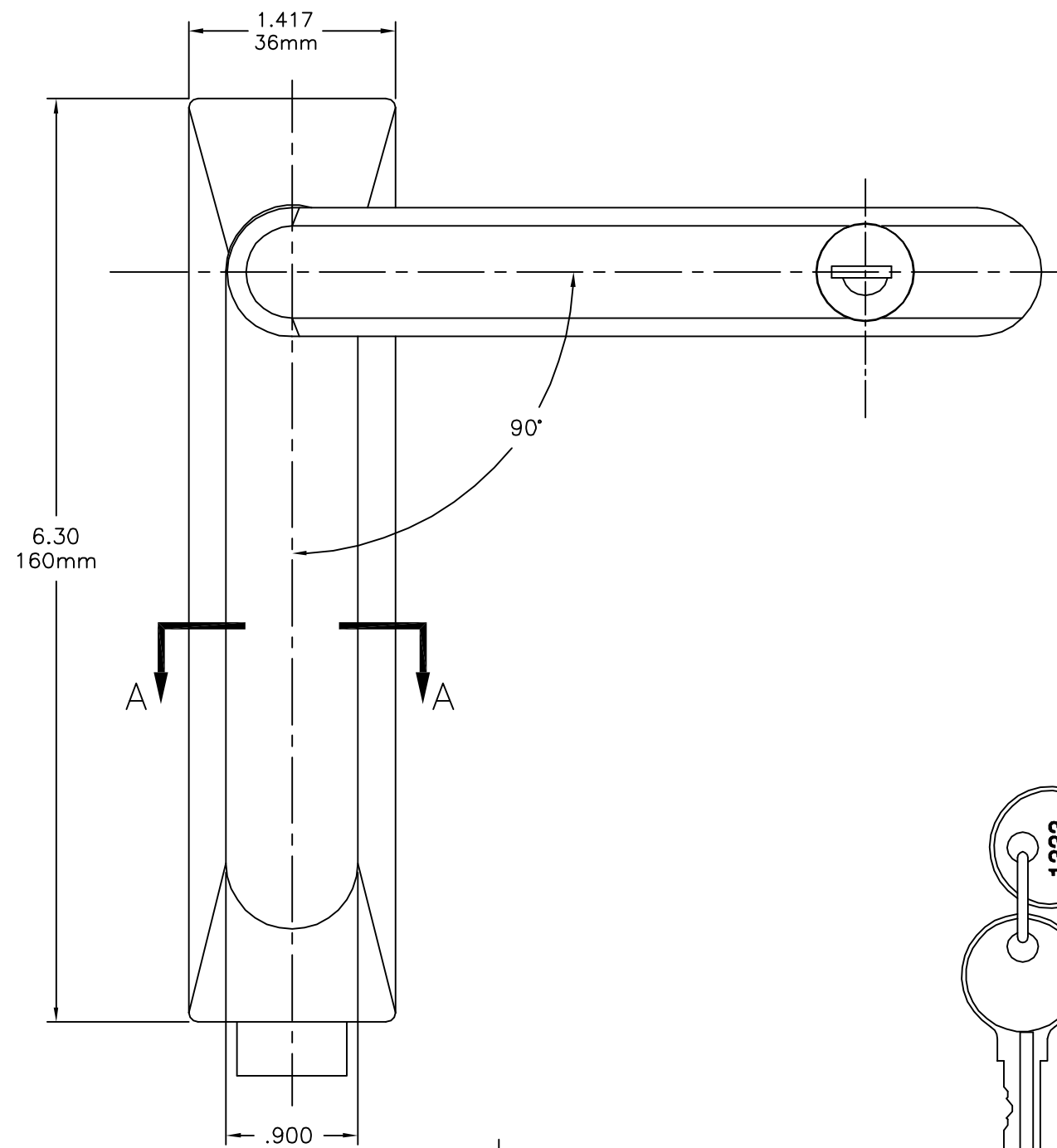
INTERPRET DRAWING PER ASME Y14.5M-1994
DIMENSIONAL LIMITS APPLY AFTER APPLICATION OF FINISH
DRAWING NOT TO SCALE
TOLERANCE UNLESS OTHERWISE NOTED:
ANGULAR +/- .18
.XXXX +/- .010
.XXX +/- .015
.XX +/- .030
.X FOR REF. ONLY
UNLESS OTHERWISE SPECIFIED ALL DIMENSIONS ARE IN INCHES

NOTICE:
Use of this document is subject to a confidentiality and nondisclosure agreement with Great Lakes Case & Cabinet Co., Inc. (GLCC) and may not be reproduced, disclosed or utilized in whole or in part without prior written authorization from GLCC.

PART NUMBER: XHGLCC
QTY PER UNIT: 1
MATERIAL TYPE:
MATERIAL GAUGE:
FINISH: SEE NOTES
DRAWN: DATE
CHECKED & APP: DATE

TITLE: Swing Handle; Reference part number H19-001
GREAT LAKES CASE & CABINET CO., INC. P.O. BOX 551 EDINBORO, PA 16412 PHONE (814) 734-7303 FAX (814) 734-3907 E-MAIL glcc@greatcabinets.com
DWG NO:
REV: 0
SHEET: 1 OF 2

8 7 6 5 4 3 2 1



UNLESS OTHERWISE SPECIFIED
DIMENSIONS ARE IN INCHES
TOLERANCES

ANGLES	± 30'
FRACTIONS	± 1/64
DECIMALS .X	± .030
.XX	± .010
.XXX	± .005
.XXXX	± .0002

SECTION A-A

INTERPRET DRAWING PER ASME Y14.5M-1994
DIMENSIONAL LIMITS APPLY AFTER APPLICATION OF FINISH
DRAWING NOT TO SCALE
TOLERANCE UNLESS OTHERWISE NOTED:
ANGULAR +/- 1
.XXXX +/- .010
.XXX +/- .015
.XX +/- .030
.X FOR REF. ONLY
UNLESS OTHERWISE SPECIFIED ALL DIMENSIONS ARE IN INCHES

NOTICE:
Use of this document is subject to a confidentiality and nondisclosure agreement with Great Lakes Case & Cabinet Co., Inc. (GLCC) and may not be reproduced, disclosed or utilized in whole or in part without prior written authorization from GLCC.

PART NUMBER: XHGLCC
QTY PER UNIT: 1
MATERIAL TYPE:
MATERIAL GAUGE:
FINISH: SEE NOTES
DRAWN DATE
CHECKED & APP. DATE

TITLE Swing Handle; Reference part number H19-001
GREAT LAKES CASE & CABINET CO., INC. P.O. BOX 551 EDINBORO, PA 16412 PHONE (814) 734-7303 FAX (814) 734-3907 E-MAIL glcc@greatcabinets.com
DWG NO:
REV 0
SHEET: 2 OF 2

