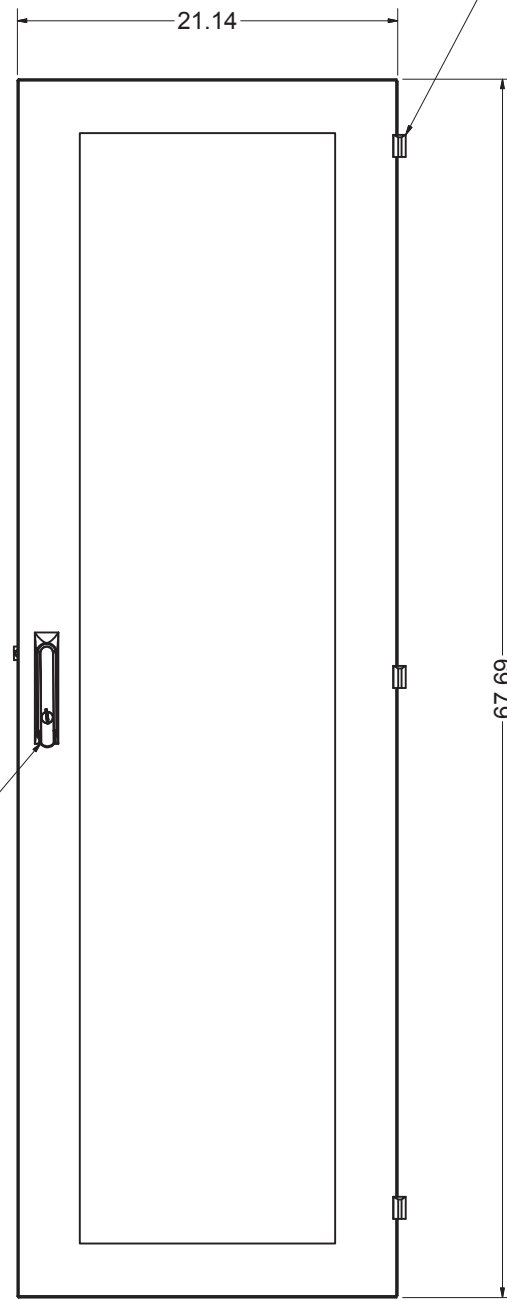


REVISION HISTORY			
REV	DESCRIPTION	DATE	APPROVED
5	ECO-01129	8/6/2003	JAL
6	ECO-01954	5/24/2007	WSS
7	ECO-02838	4/19/2010	FED

Bill of Material						
ITEM	PART NUMBER	STOCK NUMBER	QTY	DESCRIPTION	FILE NAME	REVISION
1	7202E24X100		1	PLEXIGLASS ENHANCED DOOR, 72"H x 24"W 'E', VENDOR LEVEL ASSEMBLY	I000204.iam	8
2	MESH720E24X100		1	MESH PANEL - 62.500"H x 15.000"W	I000677.ipt	4
3	MESHWSHR		16	MESH PANEL WASHER 70 DUROMETER NEOPRENE	MESHWSHR.ipt	5
4	H02-006	H02-006	12	#10-32 ACORN NUT NYLON BLACK	0501032LCNBLK.ipt	

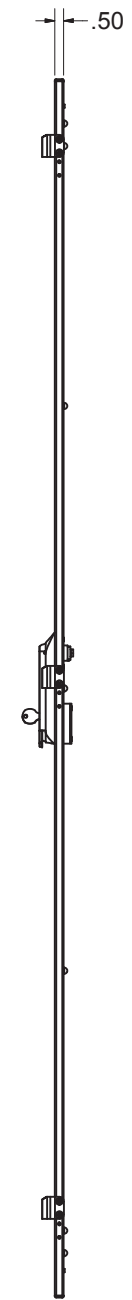


TOP VIEW



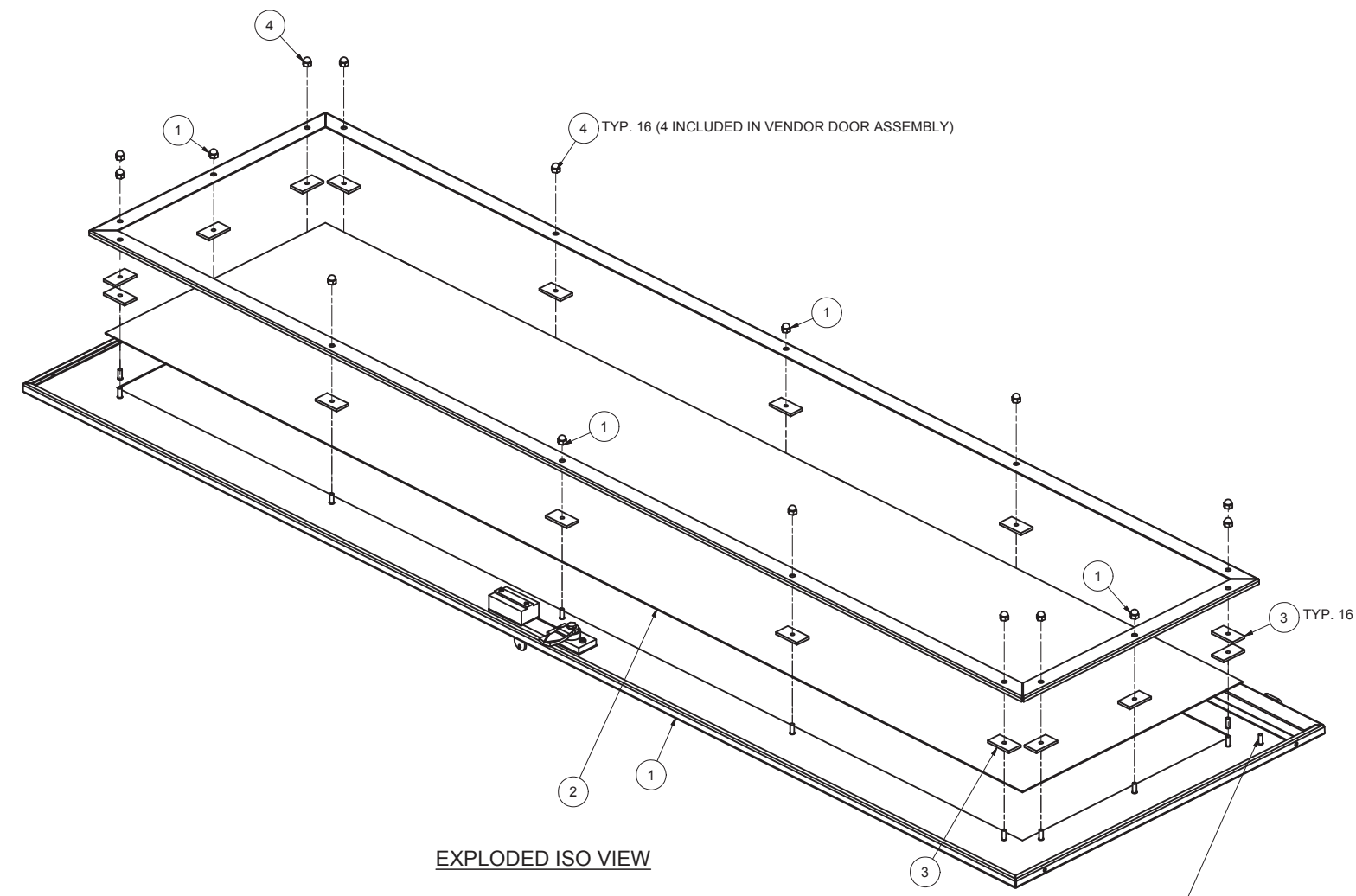
FRONT VIEW

REVERSIBLE HANDLE & HINGES ALLOW THE DOOR TO BE EITHER LEFT OR RIGHT HAND HINGED



HINGED SIDE VIEW

STANDARD SWING HANDLE w/ KEYED LOCK - OPTIONAL HANDLES ARE AVAILABLE



EXPLODED ISO VIEW

GROUND STUDS (2) REF

7 REDESIGNED & REDRAWN  
THIRD ANGLE PROJECTION

INTERPRET DRAWING PER ASME Y14.5M-1994
DIMENSIONAL LIMITS APPLY AFTER APPLICATION OF FINISH
DRAWING NOT TO SCALE
TOLERANCE UNLESS OTHERWISE NOTED:
ANGULAR +/- .1
.XXXX +/- .010
.XXX +/- .015
.XX +/- .030
.X FOR REF. ONLY
UNLESS OTHERWISE SPECIFIED ALL DIMENSIONS ARE IN INCHES

**NOTICE:**  
Use of this document is subject to a confidentiality and nondisclosure agreement with Great Lakes Case & Cabinet Co., Inc. (GLCC) and may not be reproduced, disclosed or utilized in whole or in part without prior written authorization from GLCC.

PART NUMBER: <b>7202EM24</b>	
QTY PER UNIT: 1	
MATERIAL TYPE: CRS	
MATERIAL GAUGE: <b>#16 GA</b>	
FINISH: POWDERCOAT	
DRAWN: JAL	DATE: 8/5/2003
CHECKED & APP. CA	DATE: 8/5/2003

TITLE: <b>MESH DOOR FOR 72"H x 24"W 'E' ASSEMBLY</b>		
<b>GREAT LAKES CASE &amp; CABINET CO., INC.</b> P.O. BOX 551 EDINBORO, PA 16412 PHONE (814) 734-7303 FAX (814) 734-3907 E-MAIL glcc@greatcabinets.com		
DWG NO: <b>1000676</b>	REV: <b>7</b>	SHEET: 1 OF 1