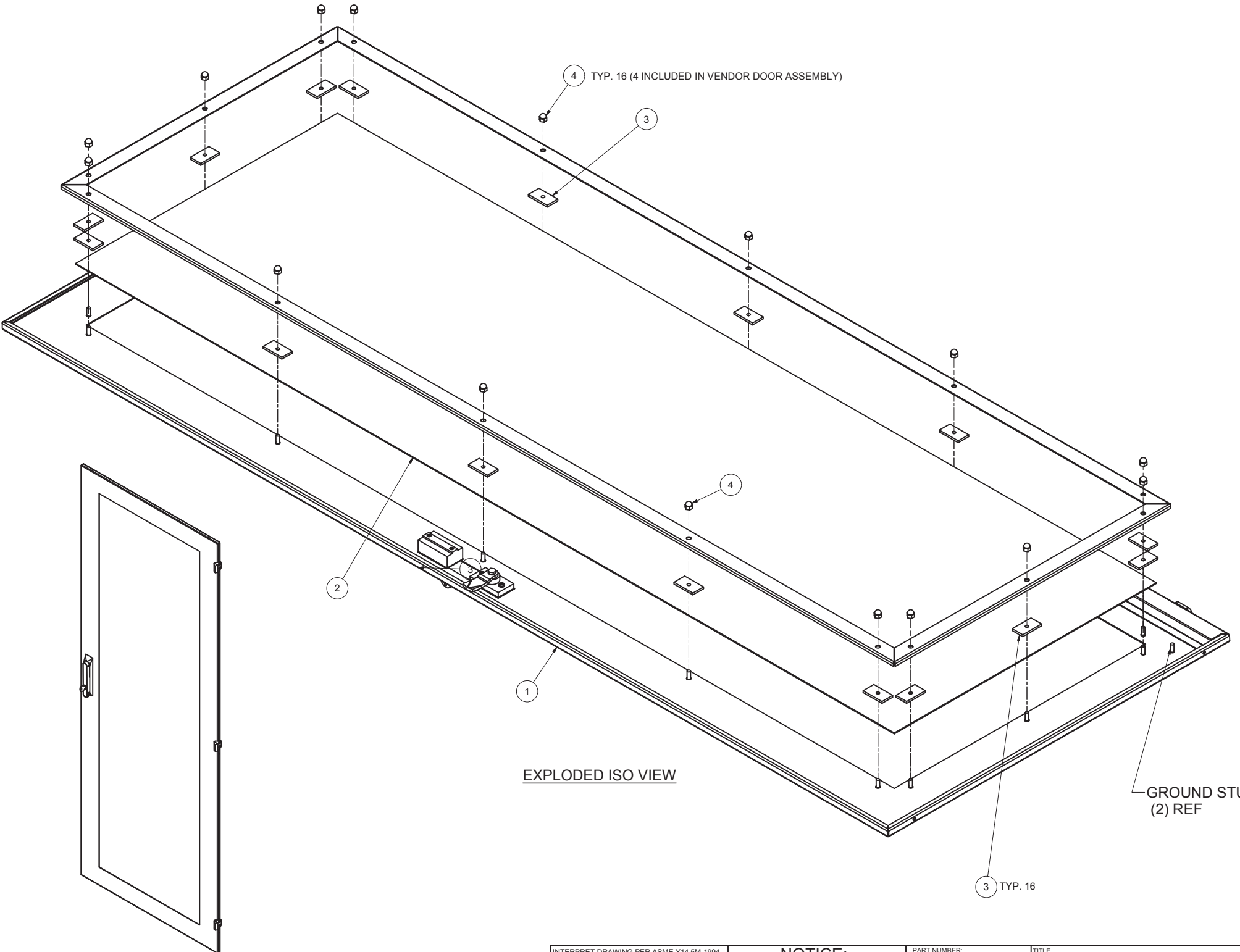
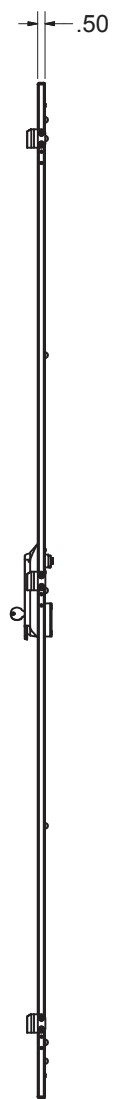
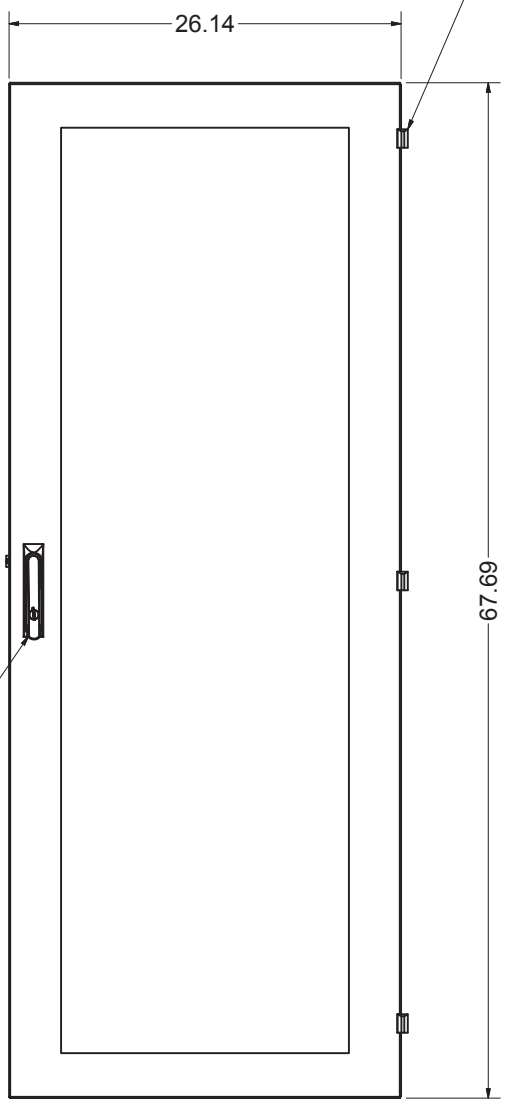


REVISION HISTORY			
REV	DESCRIPTION	DATE	APPROVED
5	ECO-01129	8/6/2003	JAL
6	ECO-01954	5/24/2007	WSS
7	ECO-02838	4/14/2010	FED

Bill of Material						
ITEM	PART NUMBER	STOCK NUMBER	QTY	DESCRIPTION	FILE NAME	REVISION
1	7202E29X100		1	PLEXIGLASS ENHANCED DOOR, 72"H x 29"W 'E', VENDOR LEVEL ASSEMBLY	I000230.iam	7
2	MESH720E29X100		1	MESH PANEL - 62.500"H x 20.000"W	I000679.ipt	4
3	MESHWSHR		16	MESH PANEL WASHER 70 DUROMETER NEOPRENE	MESHWSHR.ipt	5
4	H02-006	H02-006	12	#10-32 ACORN NUT NYLON BLACK	0501032LCNBLK.ipt	



REVERSIBLE HANDLE & HINGES ALLOW THE DOOR TO BE EITHER LEFT OR RIGHT HAND HINGED



INTERPRET DRAWING PER ASME Y14.5M-1994	NOTICE: Use of this document is subject to a confidentiality and nondisclosure agreement with Great Lakes Case & Cabinet Co., Inc. (GLCC) and may not be reproduced, disclosed or utilized in whole or in part without prior written authorization from GLCC.	PART NUMBER: 7202EM29	TITLE: MESH DOOR FOR 72"H x 29"W 'E' ASSEMBLY
DIMENSIONAL LIMITS APPLY AFTER APPLICATION OF FINISH		QTY PER UNIT: 1	GREAT LAKES CASE & CABINET CO., INC. P.O. BOX 551 EDINBORO, PA 16412 PHONE (814) 734-7303 FAX (814) 734-3907 E-MAIL glcc@greatcabinets.com
DRAWING NOT TO SCALE		MATERIAL TYPE: CRS	
TOLERANCE UNLESS OTHERWISE NOTED: ANGULAR +/- .1 .XXXX +/- .010 .XXX +/- .015 .XX +/- .030 .X FOR REF. ONLY		MATERIAL GAUGE: #16 GA	
THIRD ANGLE PROJECTION	UNLESS OTHERWISE SPECIFIED ALL DIMENSIONS ARE IN INCHES	FINISH: POWDERCOAT	DRAWN: JAL DATE: 8/6/2003
		CHECKED & APP. CA DATE: 8/6/2003	DWG NO: 1000678
			REV: 7
			SHEET: 1 OF 1

7 REDESIGNED & REDRAWN